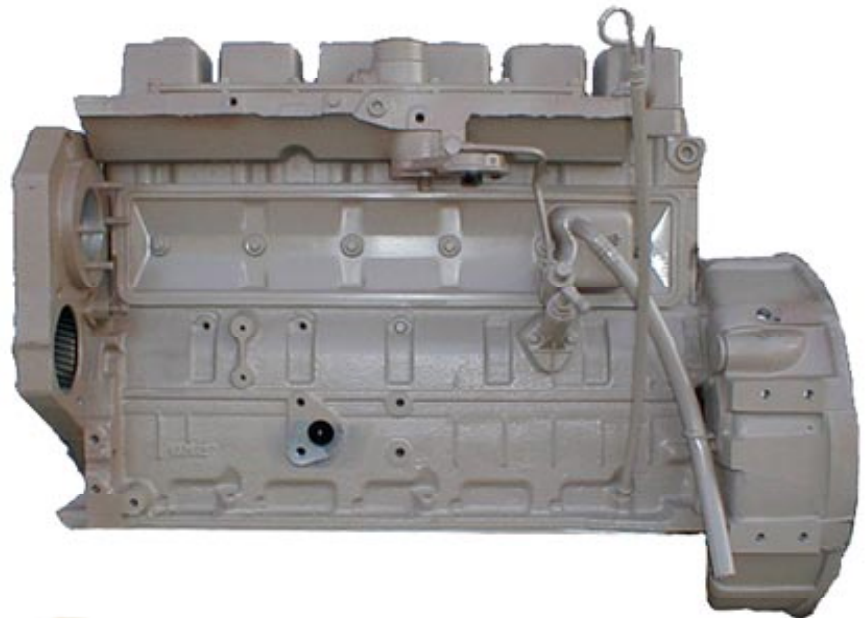
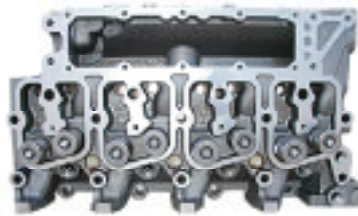


# ***Heavy Duty Powertrain***

## ***Diesel Engine & Powertrain Parts***

***We Supply The Following:***

***Aftercoolers***  
***Air Compressors***  
***Alternators***  
***Bearings***  
***Blocks***  
***Camshafts***  
***Connecting Rods***  
***Crankshafts***  
***Cylinder Heads***  
***Exhaust Manifolds***  
***Flywheels***  
***Flywheel Housings***  
***Fuel Pumps***  
***Gasket Sets***  
***Injectors***  
***Injection Pumps***  
***Liners***  
***Oil Coolers***  
***Oil Pumps***  
***Pistons***  
***Piston Rings***  
***Pulleys***  
***Tensioners***  
***Thermostats***  
***Thermostat Housings***  
***Turbochargers***  
***Valves***  
***Water Pumps***



**Heavy Duty Powertrain**  
**715 Creekside Ln.**  
**Palm Harbor, FL 34684**

**[www.savesave.com](http://www.savesave.com)**

**Tel: 727-787-6495**  
**Fax: 800-886-4549**  
**E-mail: [parts@savesave.com](mailto:parts@savesave.com)**

# Long Blocks & Bare Blocks

**Long blocks** meet or exceed all standards for quality specified by OEM manufacturers. Each long block assembly goes through a rigorous quality control inspection to ensure there is no deviation in critical tolerances that would effect longevity or performance.

All long blocks come with the following components: block, crank & piston assy, camshaft & follower assy., flywheel, flywheel housing, oil pan, water pump, cylinder head assy. with rocker covers, timing gears with cover, dip-stick, lift pump and filter mount.

**The following long blocks are available.**

When ordering always provide engine serial and CPL number from engine being replaced.

**4B-Series Engines**

Part No	Description
PT.390536LB .....	4BT Long block

**6B-Series Engines**

Part No	Description
PT.3960330 .....	6BT Long block

**6C-Series Engines**

Part No	Description
PT.3939313LB .....	6CT Long block
PT.3934900LB2 .....	6CTA Long block

**The following bare blocks are available.**

When ordering always provide engine serial and CPL number from engine being replaced.

**4B-Series Engines**

Part No	Description
PT.3903920 .....	4BT bare block

**6B-Series Engines**

Part No	Description
PT.3903797 & PT.3905806 .....	6BT bare block
PT.3935937 .....	6BTA M bare block

**6C-Series Engines**

Part No	Description
PT.3934900 .....	6CT bare block
PT.3939313 .....	6CTA bare block

**855-Series Engines**

Part No	Description
PT.3031156 & PT.3032187 ..	NTA855 M350 bare block

**K-Series Engines**

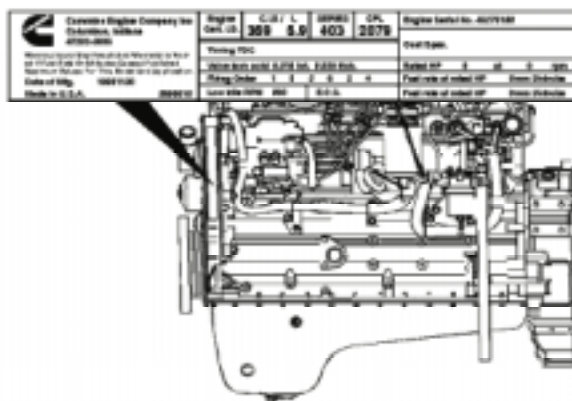
Part No	Description
PT.3044516 .....	KT-19 bare block
PT.3044517 .....	KT-19 bare block



**6BT Long Block Assy.**

**How to identify your engine.**

Every Cummins® type engine has a **serial** and **CPL** number. The CPL number is abbreviated for Control Parts List, this number is a basic listing of engine parts and timing specifications necessary for a particular performance and build application. Every part in your engine can be found in it's CPL number. These numbers are found on the engines identification plate.



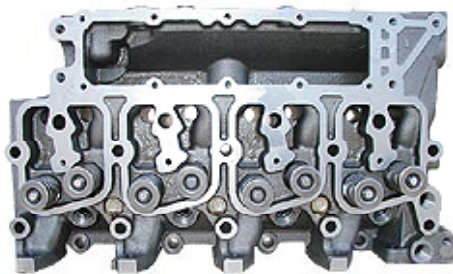
The **engine identification plate** is found on the side of the timing case near the injection pump.

**CPL Number**

**Serial Number**



# Cylinder Heads & Parts



**Cylinder heads** meet or exceed all standards for quality specified by OEM manufacturers. Each cylinder head goes through a rigorous quality control inspection to ensure there is no deviation in critical tolerances that would effect longevity or performance.

**The following cylinder heads are available.**

When ordering always provide engine serial and CPL number from engine being replaced.

## 4B-Series Engines

Part No	Description
PT.3920005 or PT.3933419	4BT bare head
PT.3920005V	4BT head "loaded"

## 6B-Series Engines

Part No	Description
PT.3913381 or PT.3802340,	6BT bare head
PT.3917287	
PT.3913381V	6BT head "loaded"
PT.3934747	6BT low swirl bare head
PT.3934747V	6BT low swirl bare head "loaded"

## 6C-Series Engines

Part No	Description
PT.3802468	6CT bare head
PT.3936152 or PT.3913111	6CT bare head
PT.3904688, PT.3911286, PT.3936180	

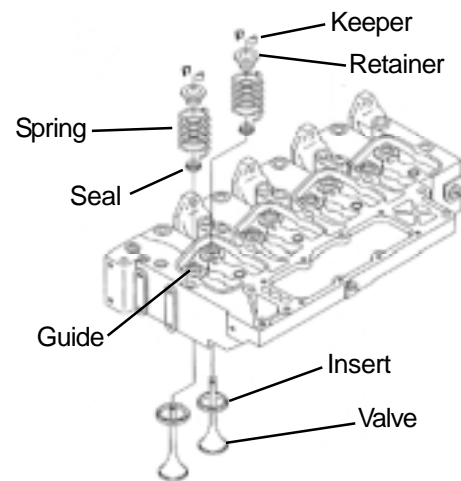
## K-Series Engines

Part No	Description
PT.3176619 or PT.3021692	K38 & 50 bare head
PT.3018868, PT.3068402	
PT.3176619	K38 & 50 head "loaded"

**The following cylinder head parts heads are available.**

## 4B & 6B-Series Engines

Part No	Description
<b>List Price</b>	
PT.3802355	Intake valve kit
PT.3802356	Exh. valve kit
PT.3900250	Keeper
PT.3900276	Spring, valve
PT.3900299	Retainer, spring
PT.3901097	Seal, valve
PT.3904105	Insert, Exh. valve
PT.3906854	Insert, Int. valve
PT.3904409	Guide, valve 60.5mm long
PT.3904408	Guide, valve 51.75mm long



## 6C-Series Engines

Part No	Description
PT.3924492	Intake valve kit
PT.3802085	Exh. valve kit
PT.3901177	Keeper
PT.3906412	Spring, valve
PT.3912976	Retainer, spring
PT.3915707	Seal, valve
PT.3928174	Insert, Exh. valve
PT.3908830	Insert, Int. valve
PT.3901187	Guide, valve

## K-Series Engines

Part No	Description
PT.3088393	Intake valve kit
PT.3035110	Exh. valve kit
PT.205091	Keeper
PT.205208	Spring, valve
PT.205094	Retainer, spring
PT.205093	Insert, Exh. valve
PT.3026926	Insert, Int. valve
PT.3201311	Guide, valve

# Internal Engine Parts



## Crankshafts

Part No	Description
PT.3907803	4BT Crankshaft
PT.3908031	4BT Crankshaft
PT.3907804	6BT Crankshaft
PT.3808032	6BT Crankshaft
PT.3918986	6CT Crankshaft
PT.3073707	M11 Crankshaft
PT.3347569	K19 Crankshaft
PT.3176424	KTA38 Crankshaft

## Main Bearing Sets

Part No	Description
PT.3802010	4BT Std.
PT.3802011	4BT .25mm
PT.3802012	4BT .50mm
PT.3802013	4BT .75mm
PT.3802014	4BT 1.0mm
PT.3802070	6BT Std.
PT.3802071	6BT .25mm
PT.3802072	6BT .50mm
PT.3802073	6BT .75mm
PT.3802074	6BT 1.0mm
PT.3802210	6CT Std.
PT.3802211	6CT .25mm
PT.3802212	6CT .50mm

## Connecting Rods

Part No	Description
PT.3942581	4 & 6BT
PT.3901383	6CT
PT.3899450	M11
PT.3043911	K19
PT.3043910	K38

## Connecting Rods Bushings

Part No	Description
PT.3901085	4 & 6BT
PT.3913990	6CT
PT.3043909	K19, 38 & 50

## Connecting Rod Bearings

Connecting rod bearings are sold in half shell sets. You must order twice as many bearings as you have connecting rods.

Part No	Description
PT.3901170	4 & 6BT Std.
PT.3901171	4 & 6BT .25mm
PT.3901172	4 & 6BT .50mm
PT.3901173	4 & 6BT .75mm
PT.3901174	4 & 6BT 1.0mm
PT.3901430	6CT Std.
PT.3901431	6CT .25mm
PT.3901432	6CT .50mm
PT.3901433	6CT .75mm
PT.3901434	6CT 1.0mm

## Connecting Rod Bolts & Nuts

Part No	Description
PT.3900919	Bolt 4 & 6BT
PT.3928870	Bolt 6CT
PT.3934864	Nut 6CT



## Camshafts

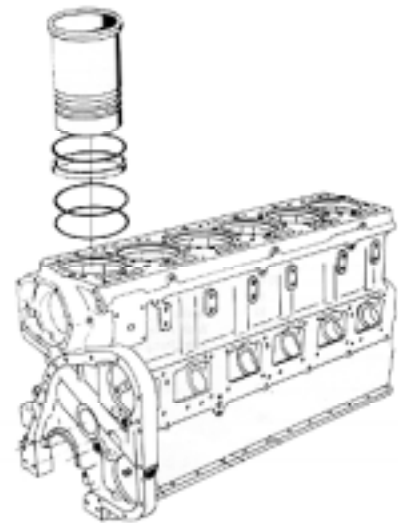
Part No	Description
PT.3914638	4BT
PT.3914639 & PT.3907824	6BT
PT.3283179	6BTA
PT.3923478 & PT.3924471	6CTA
PT.3023177	855
PT.3049024	855
PT.3801030	855
PT.3801763	855
PT.3025517 & PT.3026972	855
PT.199180	V903
PT.3044767 & PT.3801668	NG4
PT.3087856	M11
PT.4025955, PT.3800855 & PT.3087650	N14
PT.3803738	N14
PT.3066877 & PT.207770	K19
PT.3066882	K19
PT.3066884	K38 RB
PT.3066885	K38 LB

## Camshaft Bushings

Part No	Description
PT.3901306	4 & 6BT
PT.3945329 & PT.3943199	6CT

# Internal Engine Parts & Flywheel Housings

[www.savesave.com](http://www.savesave.com)



## Salvage Sleeves

Part No	Description
PT.3904166	salvage sleeve 4 & 6BT

## Cylinder Kits, Piston Kits and Ring Sets

Engine Model	Piston Kit	Piston	Piston Pin	Ring Set	Notes
4B & 6B	PT.3802160	PT.3907163	PT.3901793	PT.3802230	17.5:1 Std.
4B & 6B	PT.3802132	PT.3908815	PT.3901793	PT.3802232	17.5:1 .50mm
4B & 6B	PT.3802134	PT.3908816	PT.3901793	PT.3802234	17.5:1 1.0mm

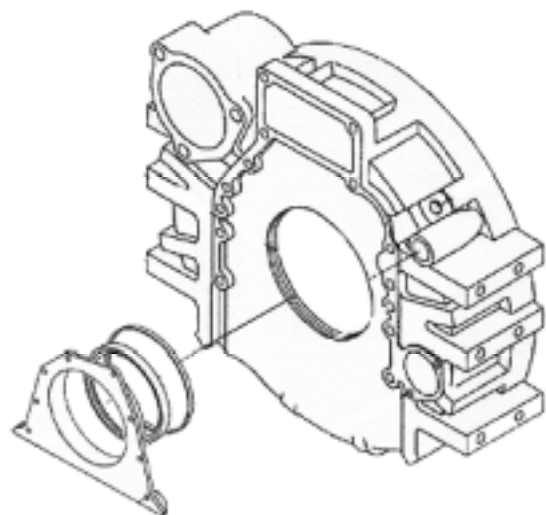
Engine Model	Cylinder Kit	Piston	Piston Pin	Ring Set	Notes
6CT 8.3L	PT.3802400	PT.3923163	PT.3901597	PT.3802429	Thin wall block
6CT 8.3L	PT.3802403	PT.3923163	PT.3901597	PT.3802429	Thick wall block
6CT 8.3L	PT.3802401	PT.3923164	PT.3901597	PT.3802429	Thin wall block
6CT 8.3L	PT.3802404	PT.3923164	PT.3901597	PT.3802429	Thick wall block
6CT 8.3L	PT.3802402	PT.3923165	PT.3901597	PT.3802429	Thick wall block
6CT 8.3L	PT.3802405	PT.3919566	PT.3901597	PT.3802429	1992 & up
6CT 8.3L	PT.3802406	PT.3917707	PT.3901597	PT.3802429	1992 & up

Engine Model	Cylinder Liner	Piston Kit	Ring Set	Com. ratio	Notes
K-Series	PT.3202240	PT.3803314	PT.3803472	14.5:1	Premium
K-Series	PT.3202240	PT.3803315	PT.3803472	15.5:1	Premium

***K-Series Piston Kits include piston, piston pin & retainer***

## Flywheel Housings

Part No	Description
PT.3960410	B-Series
PT.3904717	B-Series
PT.3900098	B-Series
PT.3900222	B-Series
PT.3903282, PT.3913582	B-Series SAE-3
PT.3960391	B-Series
PT.3960395	B-Series
PT.3960414	B-Series
PT.3960489	B-Series
PT.3931713	C-Series
PT.3005557	855 Marine
PT.3034629	K-Series



# Engine Parts



## Oil Pans

Part No	Description
PT.3901049 .....	4BT
PT.3915703 .....	6BT
PT.3914013 .....	6CT
PT.3914014 .....	6CT



## Oil Pumps

Part No	Description
PT.3926202 & PT.3906413 .....	4BT
PT.3918212, PT.3906414 & PT.3926203 .....	6BT
PT.3800828, PT.3802278 & PT.3415365 .....	6CT
PT.AR10172 .....	855
PT.3821575 & PT.3821572 .....	855
PT.3042387 & PT.30423378 .....	855
PT.4003950 & PT.3895756 .....	M11
PT.3803369 .....	N14
PT.3047549 & PT.3201119 .....	K-19
PT.AR12388 & PT.AR12387 .....	KTA-38



## Aftercoolers

Part No	Description
PT.3919806 & PT.3910282 .....	6BT
PT.3924732 .....	6CT
PT.3801801 .....	M11
PT.3028997, PT.3008493 & PT.3411460 . NT855M core	
PT.3024992 .....	NT855M
PT.3009562 & PT.3010927 .....	KTA19
PT.3866152 .....	KTA38
PT.3068976 .....	KTA50



## Oil Coolers

Part No	Description
PT.3921557 .....	4BT
PT.3921558 .....	6BT
PT.3918175 .....	6CT
PT.110848 .....	V504, 903, NH230 & 855
PT.3893612 & PT.3882324 .....	L10
PT.3944464 .....	ISL
PT.3895946 & PT.3161781 .....	M11
PT.3023079 .....	KT1150 & N14
PT.3177235 .....	20-plate KT2300 & N14
PT.3412285, PT.3045483 .....	855
PT.3053393 .....	855
PT.3021581 .....	855
PT.142608 .....	855
PT.3003814 .....	855
PT.3627295-19 .....	19-plate K-Series
PT.3627295-22 .....	22-plate K-Series
PT.3082360 .....	K-Series
PT.3627395 .....	K-Series



## Flywheels & Ring Gears

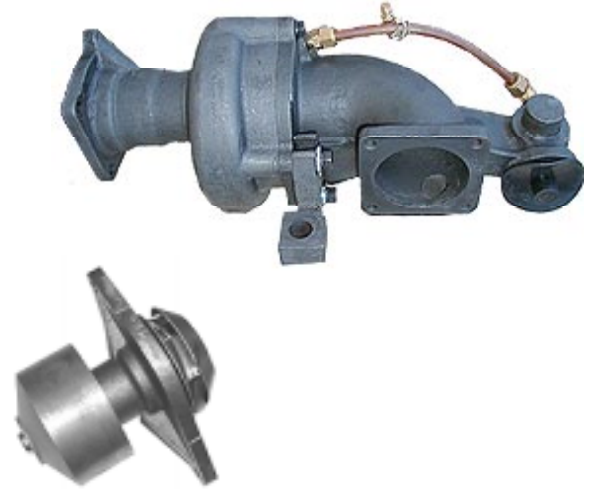
Part No	Description
PT.3901774 .....	B-Series Ring Gear
PT.3903309 .....	B-Series Ring Gear
PT.3908546 .....	C-Series Ring Gear
PT.3910371 .....	6BT with ring gear
PT.3910370 .....	6BT flywheel
PT.3960447 .....	6BT flywheel
PT.3960490 .....	6BT flywheel
PT.3960491 .....	6BT flywheel
PT.3960714 .....	6BT flywheel
PT.3908576 .....	6CT flywheel
PT.3906800 .....	6CT flywheel
PT.AR51252, PT.3028513 .....	855 with ring gear
PT.3023510 .....	855 with ring gear
PT.3655854 .....	M11 with ring gear
PT.3024105 .....	K19 Flywheel
PT.3021394 .....	K38 Flywheel

# Engine Parts



## Marine Exhaust Manifold

Part No	Description
PT.4019951, PT.4020665 & PT.3922123	6BT
PT.3922935, PT.3911670	6CT
PT.3008590	855
PT.3036088, PT.3078024 & PT.3655046	K19



## Water Pumps

Part No	Description
PT.3802004 & PT.3960309	B-Series
PT.3802358	B-Series
PT.3802081	C-Series
PT.3929612, PT.3913430 & PT.3802973	C-Series
PT.3655857, PT.3010328	NT855
PT.3073693	M11/L10
PT.3022920	K-19
PT.3098960, PT.3011390 & PT.3011389	KTA-19
PT.3629786, PT.3069600 & PT.3050443	KT38



## Sea Water Pumps

Part No	Description
PT.3655857	855
PT.33074540, PT.3008844 & PT.3049518	K-Series



## Air Compressors

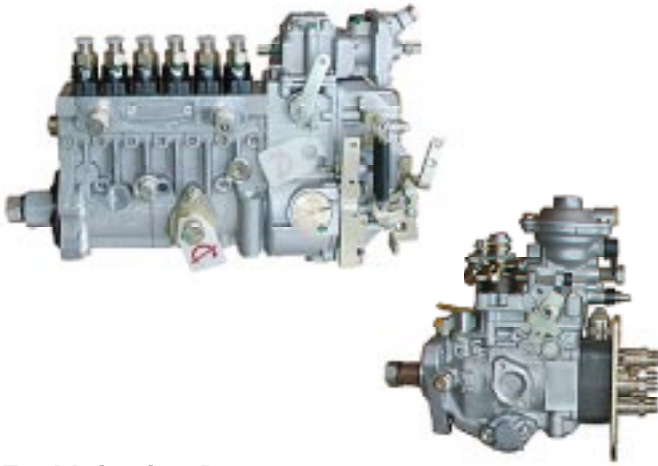
Part No	Description
PT.3049186	Air Compressor
PT.3024365	Air Compressor
PT.BM92466	Air Compressor
PT.3018534	Air Compressor
PT.3919882, PT. 3914082 & PT.3960069	4 & 6B Series
PT.3960039	4 & 6B Series
PT.3558006	6C Series
PT.3024365	855 Series
PT. 3047440	M11 Series
PT.3018553	K Series



## Heat Exchangers

Part No	Description
PT.3912145 & PT.3655859	855
PT.3011108	KTA-Series

# Fuel System Parts



## Fuel Injection Pumps

Part No	Description
PT.3900037	4BT A-inline
PT.3913902 & PT.3356006	6BT
PT.3928147, PT.3960418	6BT
PT.3960406 & PT.3960402	6BT HY-Inline
PT.3916987	6BT CPL# 1189
PT.3283517	6BT CPL# 2249
PT.3960703	6BT PB 210ps
PT.3960624	6BT PW 180ps
PT.3960590	6BT PW 160ps
PT.3960797	6BT P7100
PT.3035685	6CT Code 3968
PT.3967935	6CT
PT.3968564	6CT
PT.3926881	6CT C215
PT.3283278	6CT C220
PT.3415703	6CT C230
PT.3415495	6CT C240
PT.3282610	6CT C300
PT.3042137	KTA19C JV
PT.3049869	K-Series PT (G)-VS-AFS
PT.3080596	KTA38 B881
PT.3080522	K38 PT (G)-EFC



## Fuel Lift Pumps

Part No	Description
PT.3904374 & PT.3928143	4 & 6BT W/Hand Primer
PT.3918000	4 & 6BT
PT.3906795 & PT.3917998	6CT
PT.3917999	6CT
PT.3936316	6CT
PT.3936321	6CT
PT.3936318	6CT



## Fuel Injectors

Part No	Description
Check your price list and call for availability.....	

## Shutdown Solenoids

Part No	Description
PT.3921978	B & C Series 12 Volt
PT.3921980	B & C Series 24 Volt



## Turbo-Chargers

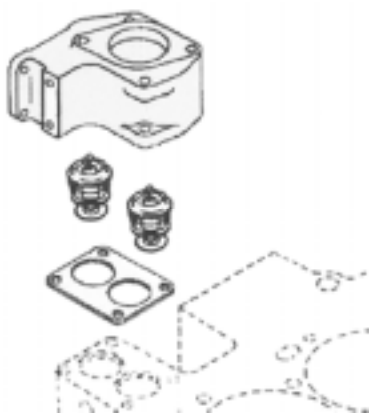
Part No	Description
PT.3960740	4BT
PT.3921215 & PT.3960038	4BT
PT.3919153	6BT
PT.3860408	6BT
PT.3528789	6CT H1E
PT.3528793	6CT H1E
PT.4029017	6CT WH1E
PT.3018067	NTC290 T-46
PT.3018068	NTC855 T-46
PT.3026924	NTC855 T-46
PT.3032060	NTC855 ST-50
PT.3032062	NTC400 ST-50
PT.3027704	VT1710 T-46
PT.3523850	KTA19 HC5A
PT.3525504	KTA19 HC5A
PT.3524450	KTA38 HC5A
PT.3524451	KTA38 HC5A
PT.3523393	KTA50 HC5A



# Engine Parts

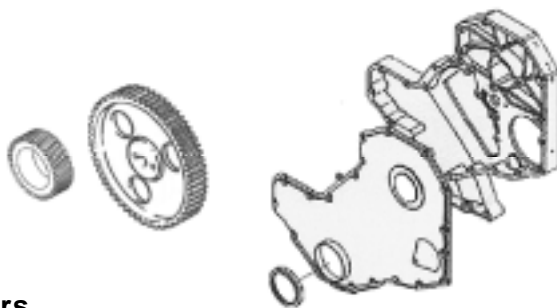
## Gaskets & Gasket Kits

Part No	Description
PT.3804896	4BT Upper Engine
PT.3802375	4BT Lower Engine
PT.3921393	4BT Head Gasket
PT.3911535	4BT Pan Gasket
PT.3902666	4BT Valve Cover Gasket
PT.3904353	4BT Front Seal
PT.3934486	4BT Rear Seal
PT.3802363	6BT Upper Engine
PT.3802376	6BT Lower Engine
PT.3921394	6BT Head Gasket
PT.3911536	6BT Pan Gasket
PT.3902666	6BT Valve Cover Gasket
PT.3904353	6BT Front Seal
PT.3934486	6BT Rear Seal
PT.3802624	6CT Upper Engine
PT.3802389	6CT Lower Engine
PT.3921850	6CT Head Gasket
PT.3914017	6CT Pan Gasket
PT.3905449	6CT Valve Cover Gasket
PT.3353977	6CT Front Seal Kit
PT.3934486	6CT Rear Seal
PT.3047402	NT855 Head Gasket
PT.4058790	N14 Head Gasket
PT.3177412	K19 Head Gasket



## Thermostats

Part No	Description
PT.3917324	181° 4 & 6BT
PT.3907242	181° 6CT
PT.201737	180° non-vented 855, 1710 & K-Series
PT.135675	170° vented V504 & 555
PT.146076	160°
PT.201737	175° V378, 504, 505 & 855



## Gears

Part No	Description
PT.3936021	4 & 6BT Fuel Pump
PT.3911331	4 & 6BT Fuel Pump
PT.3960485	4 & 6BT Fuel Pump
PT.3960486	4 & 6BT Fuel Pump
PT.3960730	4 & 6BT Fuel Pump
PT.3929027	4 & 6BT Crankshaft
PT.3901258	4 & 6BT Crankshaft
PT.3929030, PT.3907431 & PT.3912884	4/6BT Camshaft
PT.3960345	4 & 6BT Air Compressor
PT.3931379	6CT Fuel Pump
PT.3415322	6CT Fuel Pump
PT.3415412	6CT Fuel Pump
PT.3415607	6CT Fuel Pump
PT.3931382	6CT Fuel Pump
PT.3918776 & PT.3907645	6CT Crankshaft
PT.3918777	6CT Camshaft
PT.3415430	6CT Camshaft
PT.3415324	6CT Air Compressor
PT.3415607	6CT Air Compressor
PT.167166	855 Fuel Pump
PT.142804	855 Crankshaft
PT.156226	855 Camshaft
PT.142689	855 Accessory drive
PT.3820951	855 Oil pump
PT.3034217	M11 Fuel Pump
PT.3034233	M11 Fuel Pump
PT.3084445	M11 Crankshaft
PT.3038996	M11 Idler
PT.3084532	M11 Idler
PT.3084533	M11 Idler
PT.3034221	K38 Fuel Pump
PT.3004262	K38 Crankshaft
PT.307241	K38 Camshaft
PT.206747	K38 Oil pump

## Gear Covers and Housings

Part No	Description
PT.3960071 & PT.3917759	VE-Pump 6BT Housing
PT.3963256, PT.3920519	P-Inline pump 6BT Housing
PT.3960338	A-Inline pump 6BT Housing
PT.3903794	6BT Cover
PT.3926721	6CT Housing