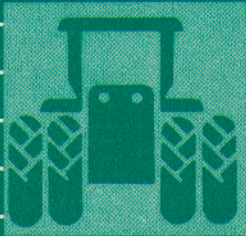
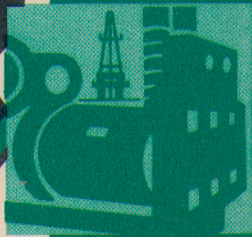
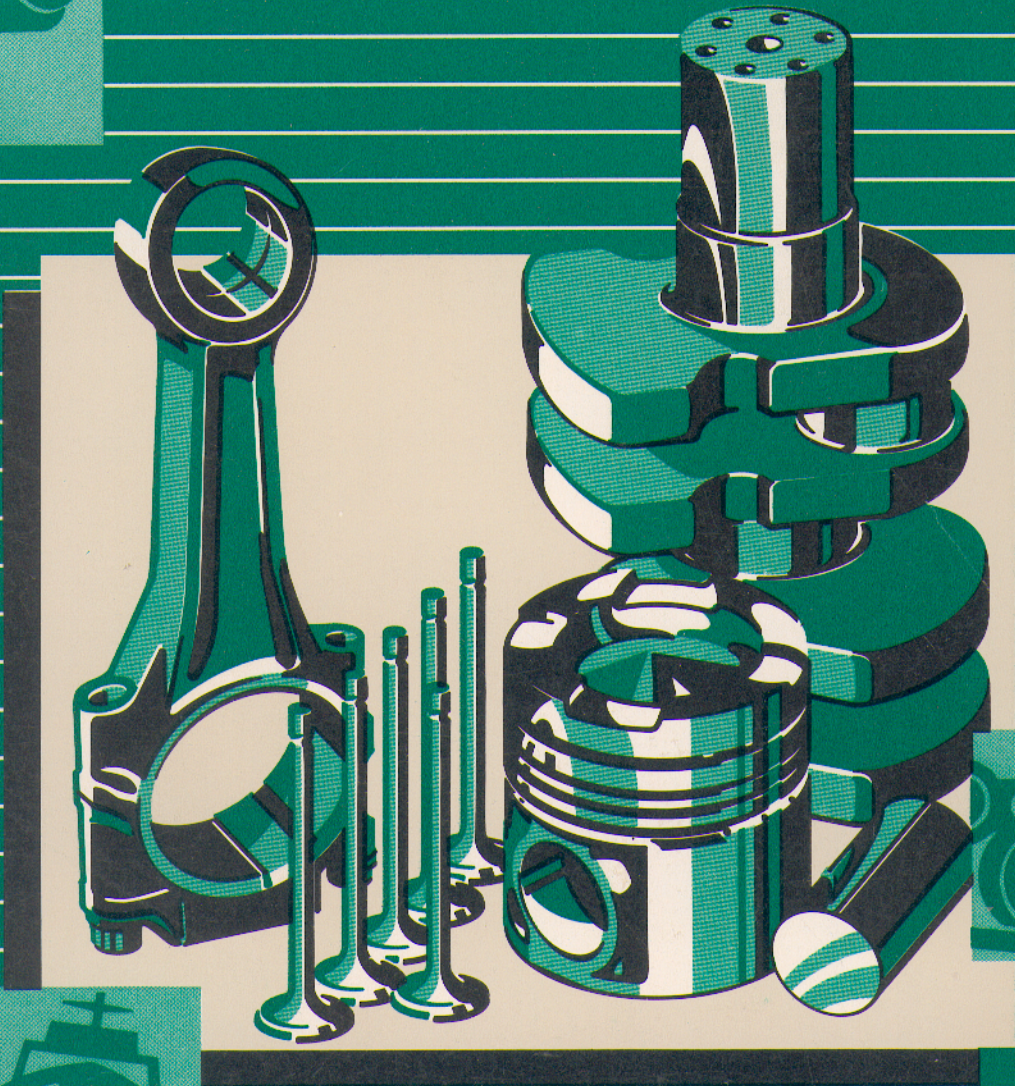
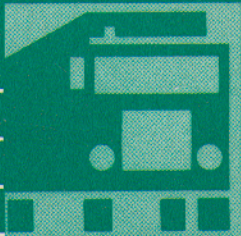




Parts Catalog

6B, 6BT, 6BTA5.9

Construction

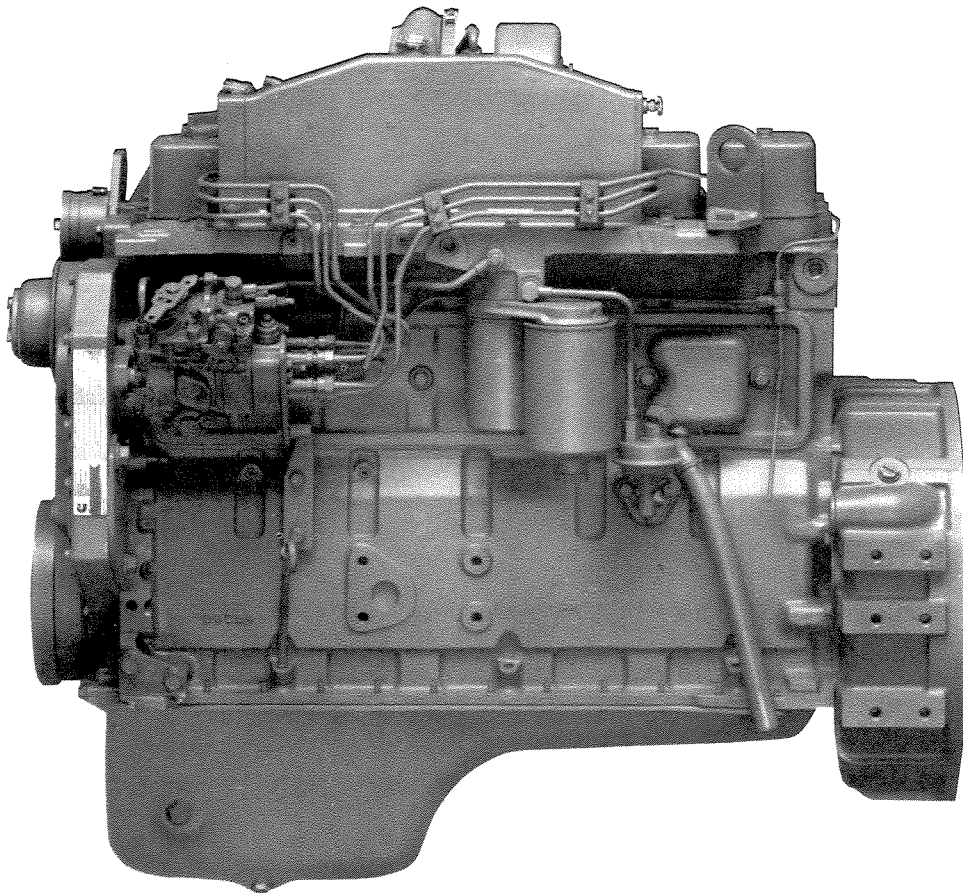




Parts Catalog

6B, 6BT, 6BTA5.9

Construction





Cummins Engine Co., Inc.

B & C Series

New Parts Warranty

Coverage

This warranty applies to all Cummins B Series Engine new parts marketed anywhere in the world where service is available through a Cummins authorized service location.

New Cummins Replacement Parts are warranted to be free from defects in material and/or workmanship under normal use and service. This coverage extends 6 months from the date of first installation.

Cummins Responsibility

Cummins will pay for all parts and labor** needed to repair the warrantable failure, including progressive damage to the engine only if the failed part was installed by an authorized Cummins service center. Only new genuine Cummins or Cummins approved rebuilt parts and assemblies will be used in making the repair.

Cummins will pay for lubricating oil, antifreeze, filter elements, belts, hoses and other maintenance items that are not reusable due to warrantable failure.

**All labor costs will be paid in accordance with Cummins' published Standard Repair Operation Guidelines.

Owner Responsibility

Owner is responsible for operation and maintenance of the engine as specified in Cummins Operation & Maintenance Manuals.

Before the expiration of the Warranty, Owner must give notice to an authorized Cummins service center of a failure considered to be warrantable and have the repair performed by such facility.*

The Owner may in some instances, due to engine application and installation, be responsible for extra labor** expense associated with engine or part removal and reinstallation as necessary for repair.

Owner is responsible for lodging, meals and incidental costs incurred by Owner, or agents of Owner, as a result of warrantable failure. Owner is responsible for "downtime" expenses, cargo damage and all business costs and losses resulting from a warrantable failure.

CUMMINS IS NOT RESPONSIBLE FOR INCIDENTAL OR CONSEQUENTIAL DAMAGES.

*Owner is responsible for delivery of the failed engine or parts to Cummins authorized service center or pay travel expense.

**All labor costs will be paid in accordance with Cummins' published Standard Repair Operation Guidelines.


Limitations

Cummins is not responsible for failures resulting from Owner or operator abuse or neglect such as: operation without adequate coolant, fuel or lubrication; overfueling; overspeeding; lack of maintenance of lubricating, cooling or air intake systems; improper storage, starting, warm-up, run-in or shutdown practices; contaminants, e.g., water and dirt, in fuel.

Cummins does not warrant accessories supplied by Cummins which bear the name of another company. These accessories are warranted by their manufacturer and not by Cummins, except when supplied by Cummins as part of an upfit kit. Examples of these non-warranted accessories are: alternators, starters, fans, air conditioning compressors, clutches, transmissions, torque converters, marine gears, hydraulic pumps, air cleaners, non-Cummins air compressors, steering pumps, safety shutdown devices and alarm systems.

Customer Parts Information

The Engine Data Plate located on the Gear Housing on fuel pump side of the engine and should be referenced when sourcing parts.

 Cummins Engine Company, Inc. Box 3005 Columbus, Indiana 47202-3005	Cert. I.D.	C.I.D./ L.	Series	CPL	Engine Serial No.	
	Timing-TDC				Injector P/N.	
	Valve lash cold				Int.	Exh.
Warning: Injury May Result and Warranty is Voided if Fuel Rate RPM Or Altitudes Exceed Published Maximum Values For This Model And Application	Firing Order				Fuel rate at rated HP mm³/stroke	
	Date of Mfg.		Low Idle RPM	E.C.S.	Model Name	

ap9001a

Information contained on the Engine Data Plate is the Engine Model Name located in the lower right corner, the Engine Serial Number located in the upper right corner and the CPL Number located in the upper center.

USE THIS INFORMATION WHEN ORDERING PARTS.

The form below will allow for the recording of your Engine Model, Serial Number, CPL Number and normal maintenance items. Refer to it when ordering parts from your Cummins Dealer or Distributor.

Specify Engine Model, Serial Number and CPL Number when ordering Parts.

Engine Model _____ Engine Serial No. _____ CPL Number _____

Manufacturer Make _____ Model _____ Serial Number _____

Element, Fuel Filter _____ Element, Air _____

Element, Lube Oil _____ Belt, Fan _____

Injector _____ Fuel Pump Assembly _____

Special Equipment

Cummins Distributor _____

Distributor Telephone Number _____

YOU OWN THE BEST...REPAIR WITH THE BEST

This catalog was compiled by Carolyn Cox in Parts Communications.

Customer Service

This Parts Catalog contains standard engine configuration parts information for the following Cummins Engine Models:

Control Parts List (CPL)

6B	D401001CX02	CPL 596, 714, 791, 845
6BT	D402002CX02	CPL 728, 729, 761, 938, 943, 949, 950
6BTA	D403003CX02	CPL 715, 998

Certain basic engine components have been matched to give optimum performance to your engine. The part numbers listed in this catalog for these components are for a standard engine configuration. When ordering any of the Control Parts List (CPL) components listed below, please order by part description and engine serial number. Reference to the CPL number stamped on the engine data (name) plate will also help identify the proper service parts for your engine.

Control Parts List (CPL) Components - 6B

Camshaft	Page 86	Injector	Page 90-92
Cylinder Head	Page 88, 89	Piston	Page 82-85
Exhaust Manifold	Page 94-103, 114	Turbocharger	Page 94-107
Fuel Pump	Page 38-55		

Parts numbers appearing in () are for identification purposes only and should not be used when ordering service replacement parts.

Graphics call out numbers are for Parts Communications use only.

Option Index

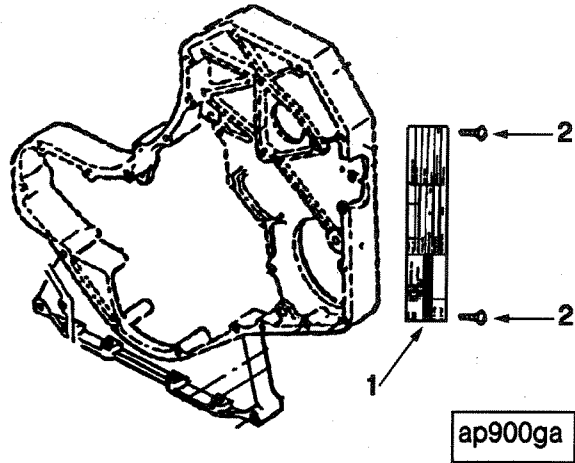
Option No.	Description	Page No.
AP9001	Dataplate	2
BP9702	Front Gear Cover	4,5
BP9710	Rocker Levers	6,7
BP9711	Cam Follower	8
BP9786	Crankshaft	12,13
	Cylinder Block	10,11
BP9788	Crankshaft and Main Bearings	12,13
	Cylinder Block	10,11
BP9790	Crankshaft and Main Bearings	12,13
CH9016	Coolant Heater	14
CM9011	Cam Follower Cover	15
CM9016	Cam Follower Cover	16
DA9026	Vibration Damper	17
DF9000	Front Gear Train Accessory	18
EC9001	Thermostat	19
EE9027	Alternator	20
EE9703	Alternator Support	21
EH9001	Alternator Support	22
EH9703	Alternator Mounting	23
EH9704	Alternator Mounting	24
EH9705	Alternator Mounting	25
FA9003	Fan Drive	26
FA9004	Fan Drive	29
FA9012	Fan Drive	27
FA9016	Fan Drive	29
FA9701	Fan Drive	28
FA9702	Fan Drive	29
FE9701	Air Fuel Control Plumbing	30
FF9007	Fuel Filter	31
FF9701	Fuel Supply Tube	32
FF9702	Fuel Supply Tube	33
FH9002	Flywheel Housing	34
FP9146	Fuel Pump	43
FP9147	Fuel Pump	41
FP9148	Fuel Pump	41
FP9184	Fuel Pump	41
FP9298	Fuel Pump	39
FP9314	Fuel Pump	41
FP9701	Fuel Pump Coupling	35
FP9702	Fuel Pump Coupling	36
FP9726	Fuel Pump	53
FP9727	Fuel Pump	53
FP9728	Fuel Pump	53
FP9729	Fuel Pump	51
FP9732	Fuel Pump	51
FP9741	Fuel Pump	47
FP9742	Fuel Pump	47
FP9743	Fuel Pump	47
FP9746	Fuel Pump	47
FP9757	Fuel Pump	47
FP9772	Fuel Pump	51
FP9773	Fuel Pump	51
FP9775	Fuel Pump	43
FP9776	Fuel Pump	47

Option No.	Description	Page No.
FP9777	Fuel Pump	43
FP9793	Fuel Pump	51
FP9819	Fuel Pump	53
FP9842	Fuel Pump	53
FP9846	Fuel Pump	47
FP9889	Fuel Pump	43
FP9890	Fuel Pump	43
FP9891	Fuel Pump	41
FP9892	Fuel Pump	41
FP9895	Fuel Pump	41
FP9896	Fuel Pump	39
FP9898	Fuel Pump	41
FP9899	Fuel Pump	39
FP9901	Fuel Pump	47
FP9902	Fuel Pump	39
FP9918	Fuel Pump	51
FP9949	Fuel Pump	43
FP9951	Fuel Pump	39
FP9952	Fuel Pump	41
FP9953	Fuel Pump	43
FP9954	Fuel Pump	39
FP9955	Fuel Pump	39
FP9956	Fuel Pump	39
FP9980	Fuel Pump	53
FP9981	Fuel Pump	51
FP9982	Fuel Pump	53
FS9004	Fuel System Accessories	56
FT9780	Fuel Plumbing	60,61
FT9781	Fuel Plumbing	58,59
FT9782	Fuel Plumbing	60,61
FT9783	Fuel Plumbing	64,65
FT9784	Fuel Plumbing	62,63
FT9785	Fuel Plumbing	64,65
FT9786	Fuel Plumbing	58,59
FW9004	Flywheel	67
FW9017	Flywheel	67
FW9100	Flywheel	67
IC9002	Intake Manifold Cover	68
IC9702	Intake Manifold Cover	68
LA9007	Lifting Bracket	69
LC9003	Lubricating Oil Cooler	70,71
LC9004	Lubricating Oil Cooler	70,71
LG9022	Oil Level Gauge	72,73
LG9058	Oil Level Gauge	72,73
LG9107	Oil Level Gauge	76,77
LP9002	Lubricating Oil Pump	78
OB9005	Cylinder Block Cover	79
OB9701	Cylinder Block Cover	79
OP9006	Oil Pan	80,81
PP596	Connecting Rod and Piston	83
	Injectors	90
PP599	Connecting Rod and Piston	82
	Injectors	90
PP714	Connecting Rod and Piston	83
	Injectors	90

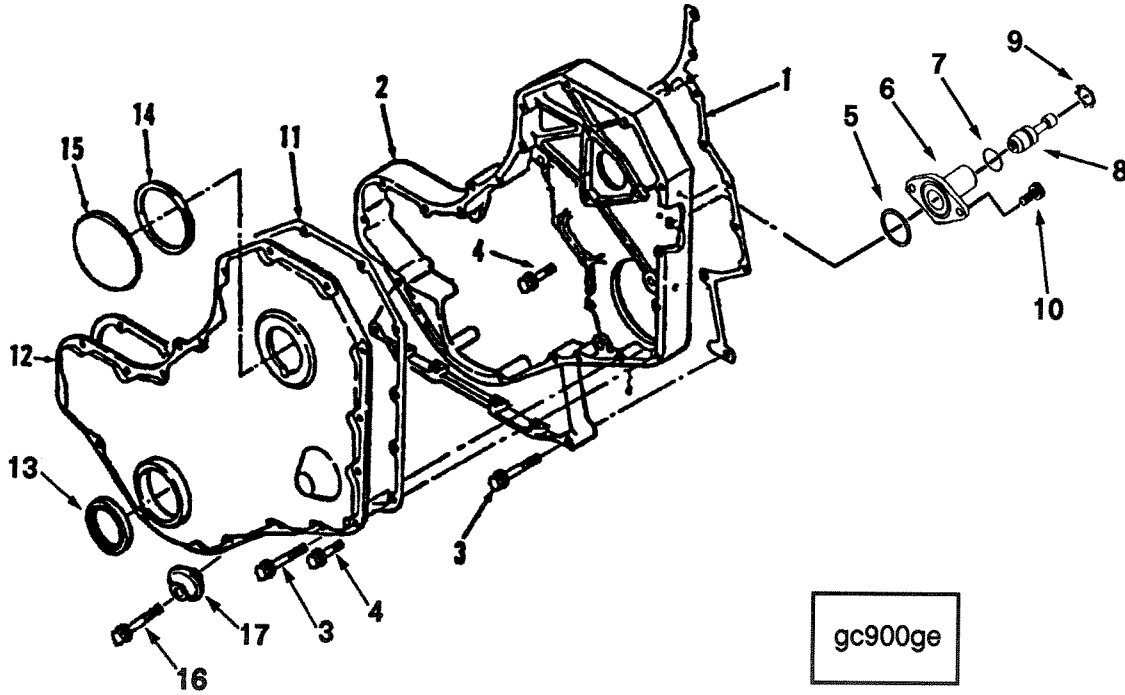
Option No.	Description	Page No.
PP715	Connecting Rod and Piston	82
	Injectors	90
PP728	Connecting Rod and Piston	84
	Injectors	90
PP729	Connecting Rod and Piston	85
	Injectors	91
PP761	Connecting Rod and Piston	85
	Injectors	91
PP791	Connecting Rod and Piston	83
	Injectors	91
PP845	Connecting Rod and Piston	83
	Injectors	92
PP938	Connecting Rod and Piston	85
	Injectors	91
PP943	Connecting Rod and Piston	85
	Injectors	92
PP949	Connecting Rod and Piston	85
	Injectors	92
PP950	Connecting Rod and Piston	85
	Injectors	92
PP998	Connecting Rod and Piston	82
	Injectors	92
PP9708	Turbocharger	94,95
PP9709	Turbocharger	96,97
PP9712	Turbocharger	98,99
PP9730	Turbocharger	100,101
PP9731	Turbocharger	102,103
PP9774	Turbocharger	96,97
TB9020	Turbocharger Location	102,103
TB9021	Turbocharger Location	94,95
TB9022	Turbocharger Location	100,101
TB9025	Turbocharger Location	98,99
TB9702	Turbocharger Location	102,103
TB9023	Turbocahrger Location	96,97
TP9703	Turbocharger Location	100,101
TP9705	Turbocharger Location	98,99
TP9704	Turbocharger Location	96,97
SM9001	Starter Mounting	108
SP9004	Fan Spacer	109
SP9005	Fan Spacer	109
ST9006	Starting Motor	108
TH9001	Thermostat Housing	19
VC9009	Valve Cover	110
WA9702	Turbocharger Location	94 thru 97
WI9001	Water Inlet Connection	111
WI9002	Water Inlet Connection	112
WI9701	Water Inlet Connection	111
WP9001	Water Pump	113
XM9004	Exhaust Manifold	114
XS9005	Exhaust Connection	115

Table of Contents

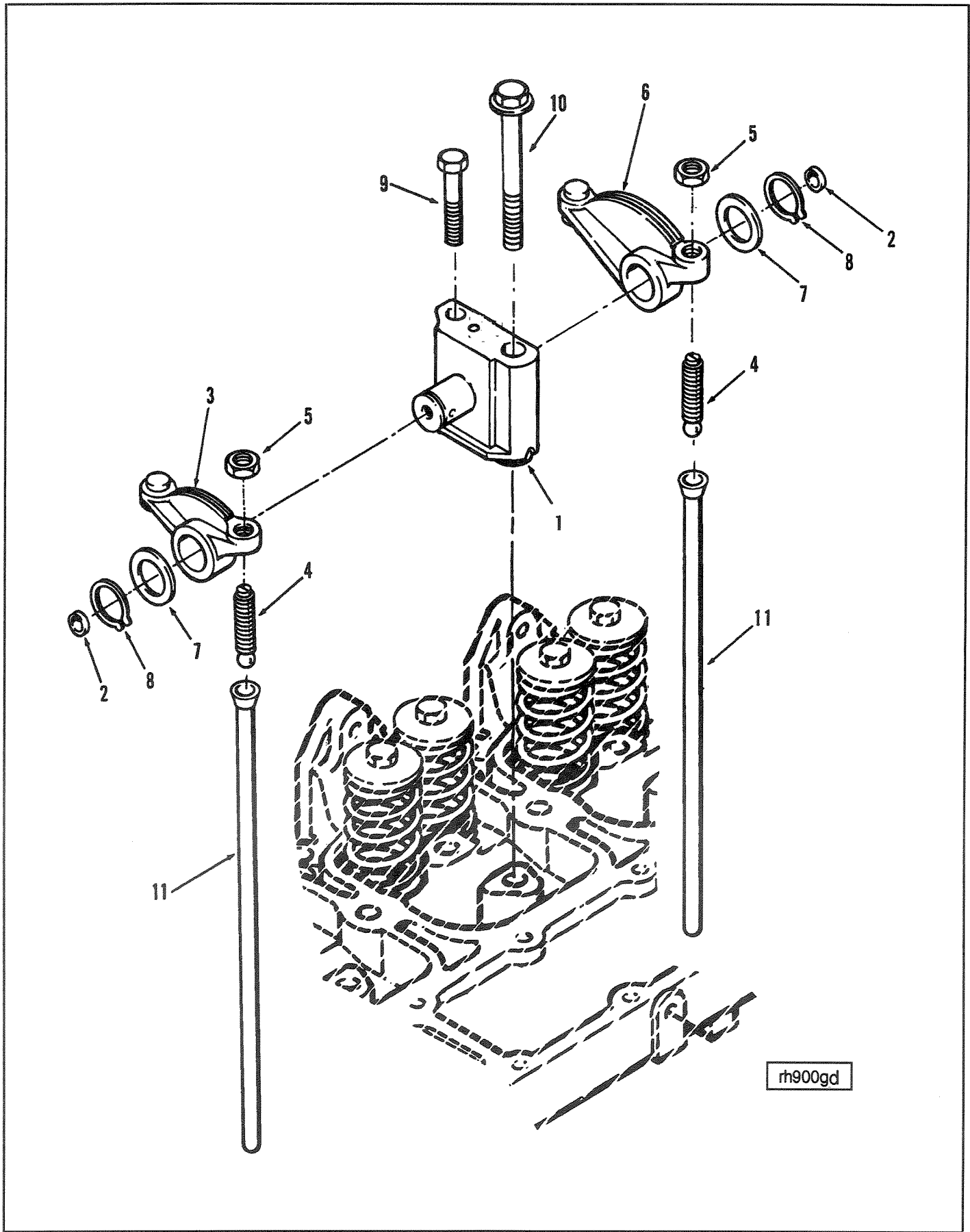
	Page No.	Page No.
Air Fuel Control Plumbing	.30	Water Inlet Connection
Alternator	.20	Water Pump
Alternator Mounting	.23,24,25	.111,112
Alternator Support	.21,22	.113
Camshaft	.86	
Cam Follower Cover	.15,16	
Coolant Heater	.14	
Connecting Rod	.82 thru 85	
Crankshaft	.12,13	
Cylinder Block	.10,11	
Cylinder Block Cover	.79	
Cylinder Head	.88,89	
Dataplate	.2	
Exhaust Connection	.115	
Exhaust Manifold	.114	
Fan Drive	.26 thru 29	
Fan Spacer	.109	
Flywheel	.66,67	
Flywheel Housing	.34	
Front Gear Cover	.4,5	
Front Gear Train Accessory	.18	
Fuel Filter	.31	
Fuel Plumbing	.58 thru 65	
Fuel Pump	.38 thru 55	
Fuel Pump Coupling	.35,36	
Fuel Supply Tube	.32,33	
Fuel System Accessories	.56	
Injectors	.90 thru 92	
Intake Manifold Cover	.68	
Lifting Bracket	.69	
Lubricating Oil Cooler	.70,71	
Lubricating Oil Pump	.78	
Main Bearings	.12,13	
Oil Level Gauge	.72 thru 77	
Oil Pan	.80,81	
Piston	.82 thru 85	
Rocker Lever	.6,7	
Service Gasket Sets	.116 thru 118	
Service Repair Kits	.119	
Starting Motor	.108	
Thermostat	.19	
Thermostat Housing	.19	
Turbocharger	.94 thru 107	
Valve Cover	.110	
Valve Tappet	.8	
Vibration Damper	.17	



Ref No.	Part Number	Part Name	Req	Remarks
		DATAPLATE		
		OPTION AP9001		
1	3906610	Dataplate	1	Non-certified dataplate for use on engines manufactured for Cummins Engine Co.
2	3908612	Screw, Drive	2	

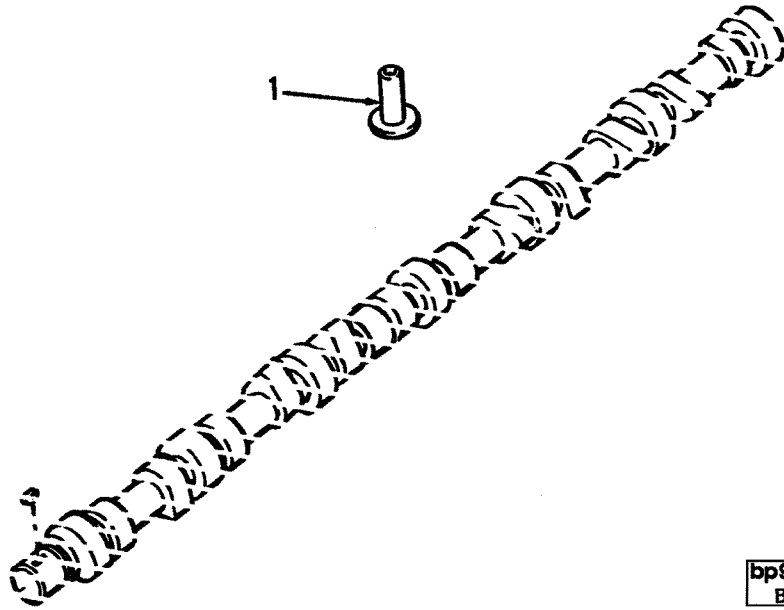


Ref No.	Part Number	Part Name	Req	Remarks
		FRONT GEAR COVER		
		OPTION BP9702		
				Front gear cover assembly for engines without mechanical tach. drive
1	3907836	Gasket, Gear Housing	1	
2	3910411	Housing, Gear	1	
3	3900633	Screw, Hexagon Head Cap	10	M8 - 1.25 x 50mm
4	3900629	Screw, Hexagon Head Cap	16	M8 - 1.25 x 16mm
5	3906693	Seal, Rectangular Ring	1	
6	3905933	Housing, Timing	1	
7	3903927	Seal, O'Ring	1	
8	3903924	Pin, Timing	1	
9	3904849	Ring, Retaining	1	
10	3907998	Screw, Round Head Cap	2	M5 - 8 x 17mm
11	3910500	Gasket, Gear Cover	1	
12	3903794	Cover, Gear	1	
13	3904353	Seal, Oil	1	Includes Installation Tools
14	3903475	Seal, Rectangular Ring	1	
15	3903463	Cover, Access Hole	1	
16	3901446	Screw, Hexagon Head Cap	1	M8 - 1.25 x 60mm
17	3912772	Retainer, Belt	1	

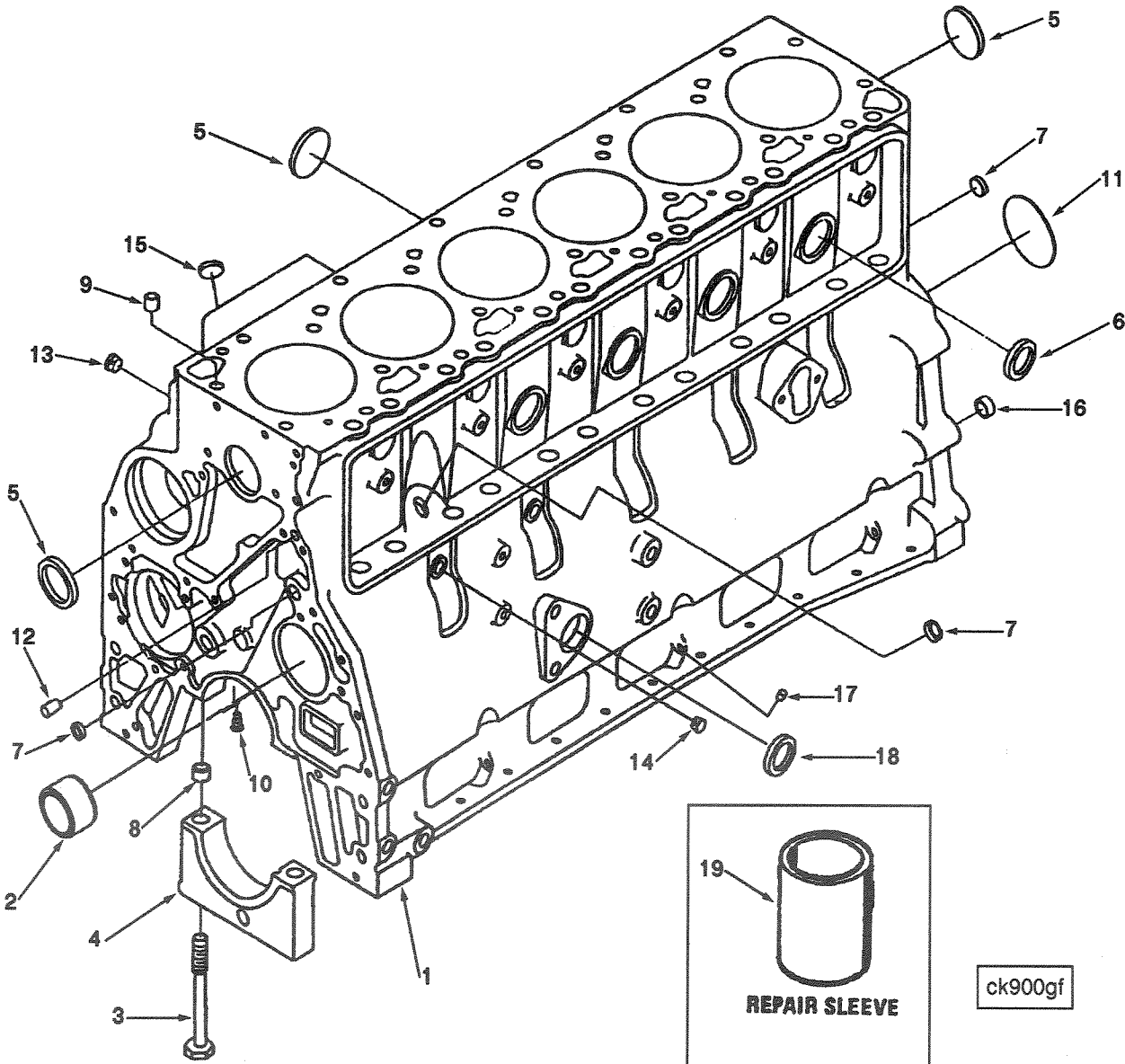


rh900gd

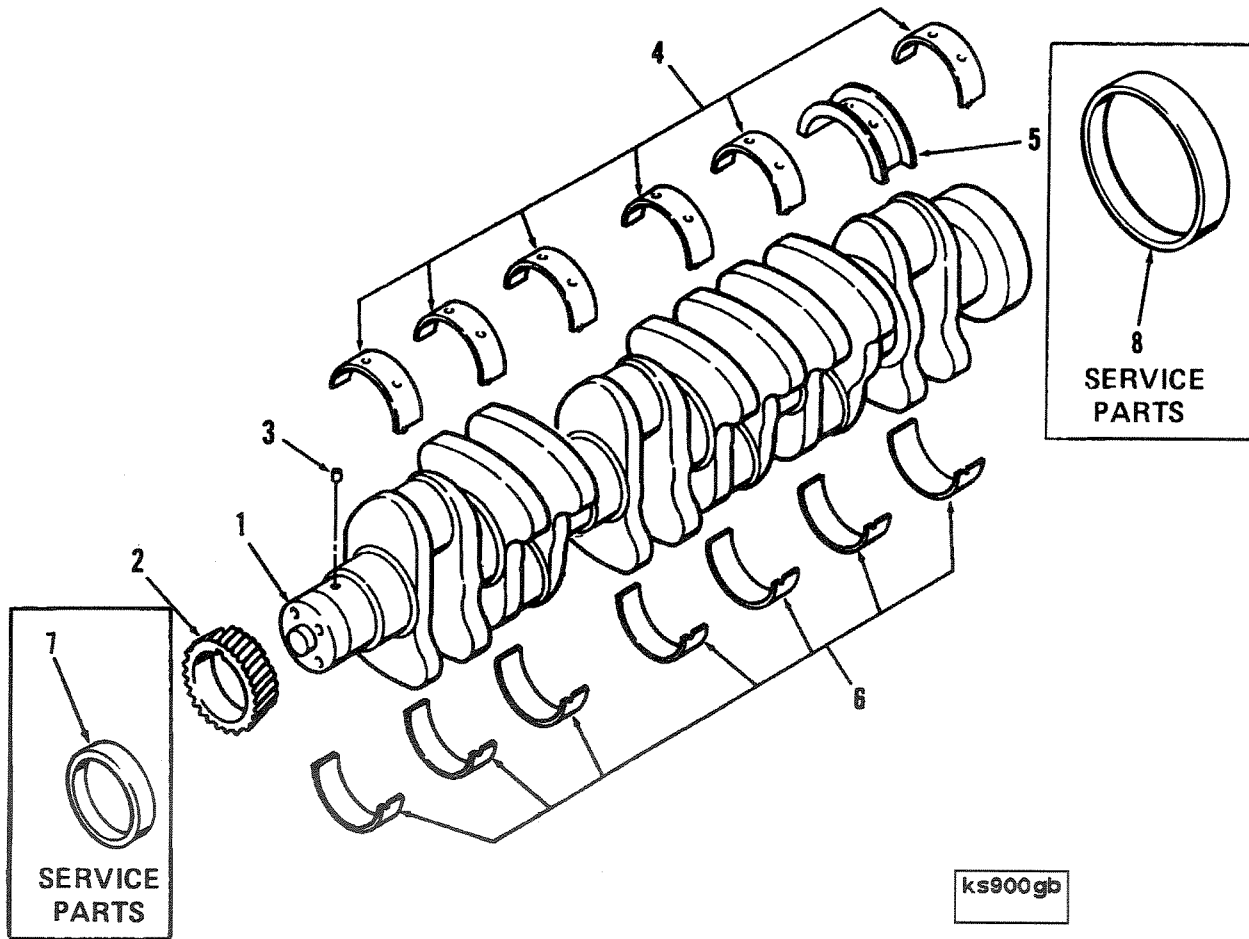
Ref No.	Part Number	Part Name	Req	Remarks
ROCKER LEVERS				
OPTION BP9710				
1	(3910815)	Support, Rocker Lever	1	
	3910814	Support, Rocker Lever	6	
	(3910816)	Support, Rocker Lever	6	
	(3910813)	Shaft, Rocker Lever	6	
2	3907555	Plug, Expansion	12	
3	3910811	Lever, Rocker	6	
	(3910809)	Lever, Rocker	6	Intake
4	3900706	Screw, Slotted Set	6	
5	S-205	Nut, Regular Hexagon	6	
6	3910810	Lever, Rocker	6	
	(3910808)	Lever, Rocker	6	Exhaust
4	3900706	Screw, Slotted Set	6	
5	S-205	Nut, Regular Hexagon	6	
7	3900245	Washer, Plain	12	
8	3900242	Ring, Retaining	12	
9	3901221	Screw, Hexagon Head Cap	6	M8 - 1.25 x 75mm
10	3903940	Screw, Hexagon Head Cap	6	M12 - 1.75 x 180mm
11	3904679	Rod, Push	12	



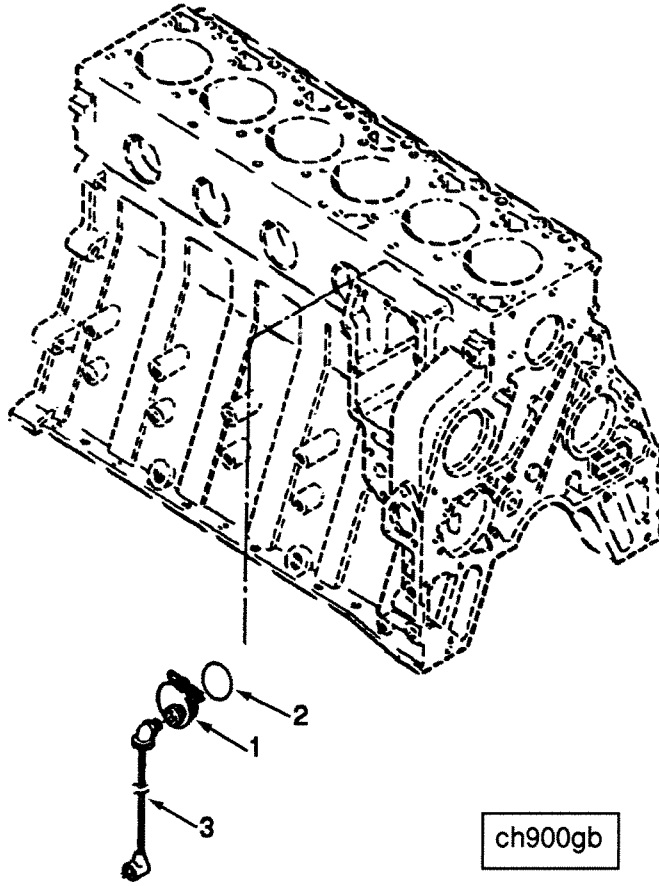
Ref No.	Part Number	Part Name	Req	Remarks
1	3907240	VALVE TAPPET OPTION BP9711 Tappet, Valve	12	



Ref No.	Part Number	Part Name	Req	Remarks
CYLINDER BLOCK				
OPTION BP9786/BP9788/ BP9790				
				Engine block assembly for 6 cylinder engines
	3905810	Block, Cylinder	1	
1	(3901204)	Block, Cylinder	1	
2	3901306	Bushing, Camshaft	1	
3	3904217	Screw, Hexagon Head Cap	14	M14 - 2.00 x 119mm
4	3900967	Cap, Main Bearing	7	
5	3900965	Plug, Expansion	6	58.06mm
6	3007635	Plug, Expansion	4	1 inch
7	3900956	Plug, Expansion	3	17.73mm
8	3900068	Dowel, Ring	14	
	3905813	Kit, Block Hardware	1	
9	3902343	Dowel, Ring	2	
10	3901020	Nozzle, Piston Cooling	6	
11	3900687	Plug, Expansion	1	
12	3900257	Dowel, Pin	2	
13	3008468	Plug, Pipe	1	
14	3906619	Plug, Pipe	2	1/8 - 27 inch
15	3027646	Plug, Expansion	1	Not used on turbocharged engines
16	3900068	Dowel, Ring	2	
17	3900955	Plug, Expansion	2	Structured in LG Option
18	3900958	Plug, Expansion	1	Structured in OB Option; Not used with side oil fill.
SERVICE PARTS				
2	3904369	Bushing, Camshaft	A/R	Oversize bushing for No. 1 bore
2	3903242	Bushing, Camshaft	A/R	Oversize bushing for No. 2-5 bore
4	3900967	Cap, Main Bearing	7	Semi-Finished
19	3904166	Sleeve, Salvage	A/R	Standard bore. Use as required.

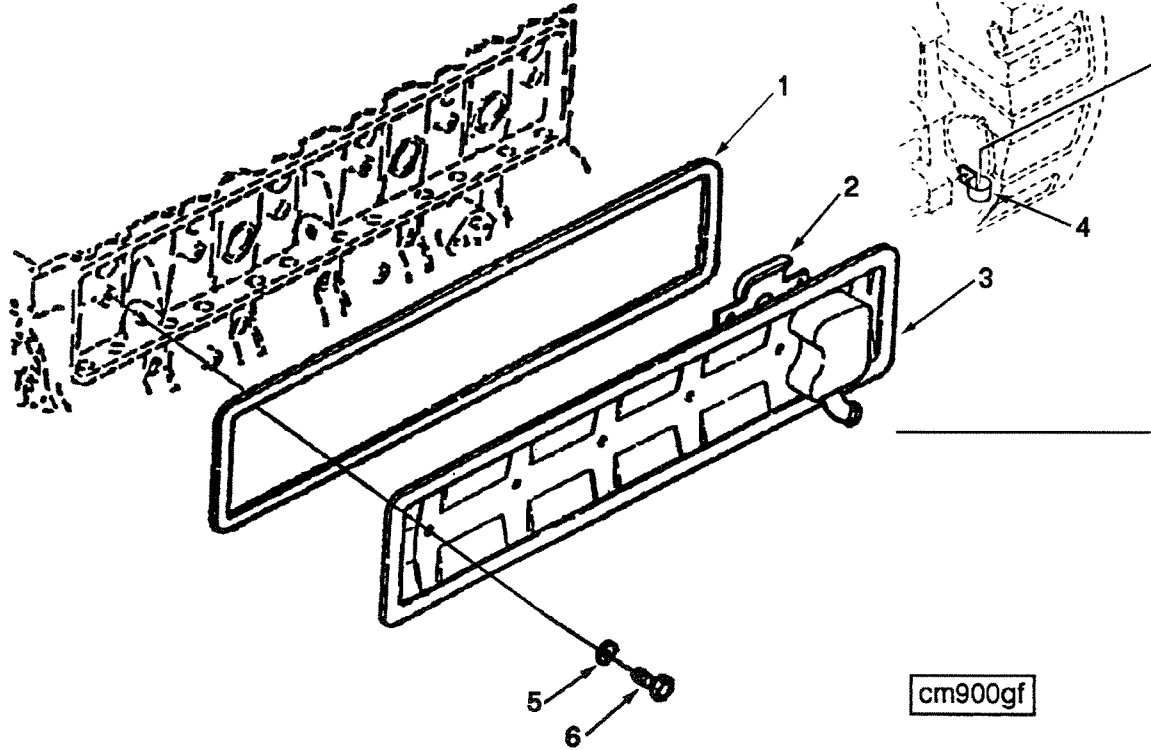


Ref No.	Part Number	Part Name	Req	Remarks
OPTION BP9786/BP9788/ BP9790				
CRANKSHAFT				
1	3908032 (3907804)	Crankshaft, Engine W/Gear	1	
2	3901258	Crankshaft, Engine	1	
3	3904483	Gear, Crankshaft	1	
		Pin, Roll	1	
MAIN BEARING SETS				
4	3802070 (3901090)	Set, Main Bearing	1	Standard
5	(3906230)	Bearing, Main	6	
6	(3901150)	Bearing, Crankshaft Thrust	1	
		Bearing, Main	7	
4	3802071 (3901091)	Set, Main Bearing	1	0.25mm Oversize Bore
5	(3906231)	Bearing, Main	6	
6	(3901151)	Bearing, Crankshaft Thrust	1	
		Bearing, Main	7	
4	3802072 (3901092)	Set, Main Bearing	1	0.50mm Oversize Bore
5	(3906232)	Bearing, Main	6	
6	(3901152)	Bearing, Crankshaft Thrust	1	
		Bearing, Main	7	
4	3802073 (3901093)	Set, Main Bearing	1	0.75mm Oversize Bore
5	(3906233)	Bearing, Main	6	
6	(3901153)	Bearing, Crankshaft Thrust	1	
		Bearing, Main	7	
4	3802074 (3901094)	Set, Main Bearing	1	1.00mm Oversize Bore
5	(3906234)	Bearing, Main	6	
6	(3901154)	Bearing, Crankshaft Thrust	1	
		Bearing, Main	7	
5	3802082 (3906452)	Bearing, Crankshaft Thrust	1	.5mm Oversize Bore/.5mm Oversize Thrust
6	(3901152)	Bearing, Crankshaft Thrust	1	
		Bearing, Main	1	
5	3802084 (3906454)	Bearing, Crankshaft Thrust	1	1.0mm Oversize Bore/1.0mm Oversize Thrust
6	(3901154)	Bearing, Crankshaft Thrust	1	
		Bearing, Main	1	
SERVICE PARTS				
7	3906080	Sleeve, Wear	1	Front
8	3906081	Sleeve, Wear	1	Rear



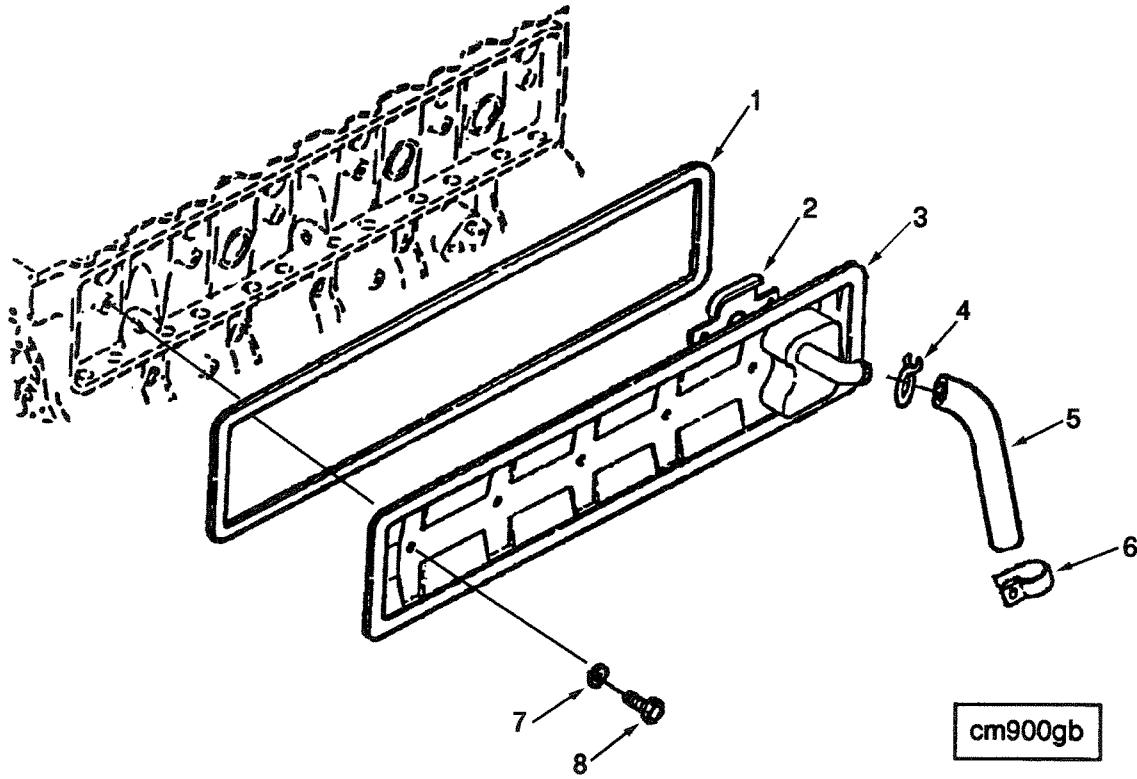
ch900gb

Ref No.	Part Number	Part Name	Req	Remarks
COOLANT HEATER				
OPTION CH9016				
1	3912898	Heater, Engine	1	120 volt 750 watt cylinder block immersion type coolant heater
2	3910517	Seal, O-Ring	1	
3	3913106	Cable, Engine	1	

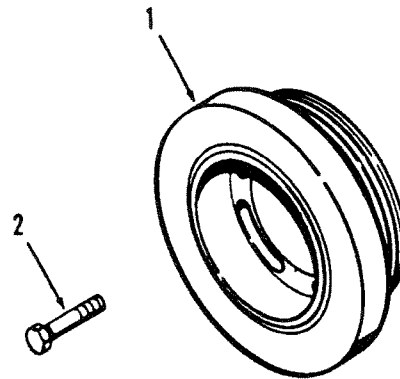


cm900gf

Ref No.	Part Number	Part Name	Req	Remarks
		CAM FOLLOWER COVER		
		OPTION CM9011		
				Tappet cover with integral crankcase breather. Customer must supply vent hose and clip that will prevent dirt from entering the engine
1	3904776	Gasket, Push Rod Cover	1	
2	3907586	Baffle, Breather	1	
3	3904672	Cover, Push Rod	1	
4	3909670	Clip	1	
5	3900267	Seal, O-Ring	4	
6	3900630	Screw, Hexagon Head Cap	4	M8 - 1.25 x 20mm

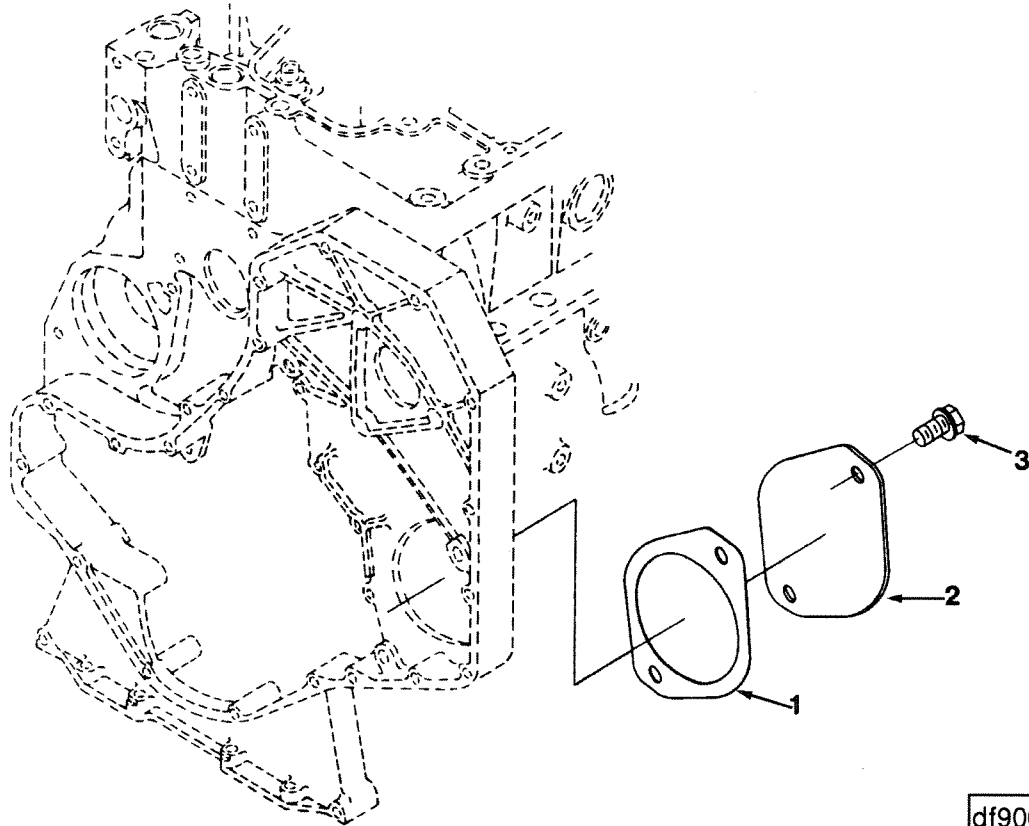


Ref No.	Part Number	Part Name	Req	Remarks
		CAM FOLLOWER COVER		
		OPTION CM9016		
				Tappet cover with integral crankcase breather. Breather to be oriented 45 degrees plus or minus 3 degrees from vertical for standard 6 cylinder engines.
1	3904776	Gasket, Push Rod Cover	1	
2	3907586	Baffle, Breather	1	
3	3911822	Cover, Push Rod	1	
4	3904230	Clamp, Spring Hose	1	
5	3908049	Hose, Plain	1	
6	3909670	Clip	1	
7	3900267	Seal, Grommet	4	
8	3900630	Screw, Hexagon Head Cap	4	

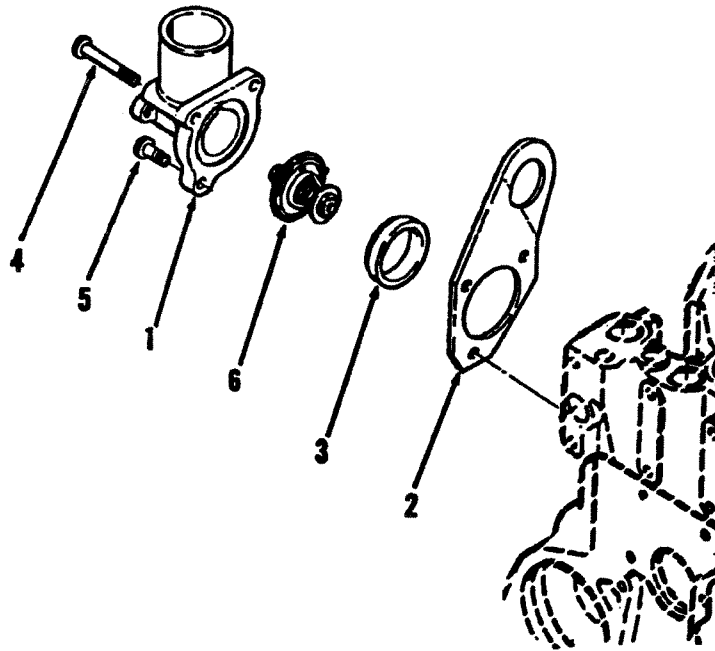


da9002a

Ref No.	Part Number	Part Name	Req	Remarks
		VIBRATION DAMPER		
		OPTION DA9026		
1	3911422	Damper, Rubber Vibration	1	Vibration damper with 174mm dia. 8 groove drive pulley cast on to damper mounted on front of crankshaft. For use only on engines with rated speeds of 2650 RPM and below
2	3903857	Screw, Twelve Point Cap	4	M12 - 1.25 x 36mm

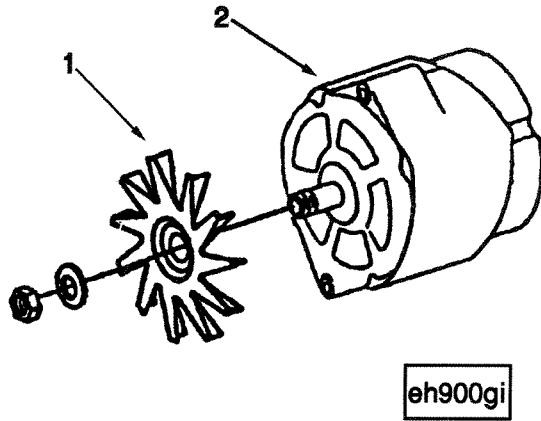


Ref No.	Part Number	Part Name	Req	Remarks
FRONT GEAR TRAIN				
OPTION DF9000				
1	3008400	Gasket, Lub Oil Pump	1	Gear train drive cover for use when no provision for hydraulic pump or air compressor is specified.
2	3200782	Plate, Cover	1	
3	3901249	Screw, Hexagon Head Cap	2	

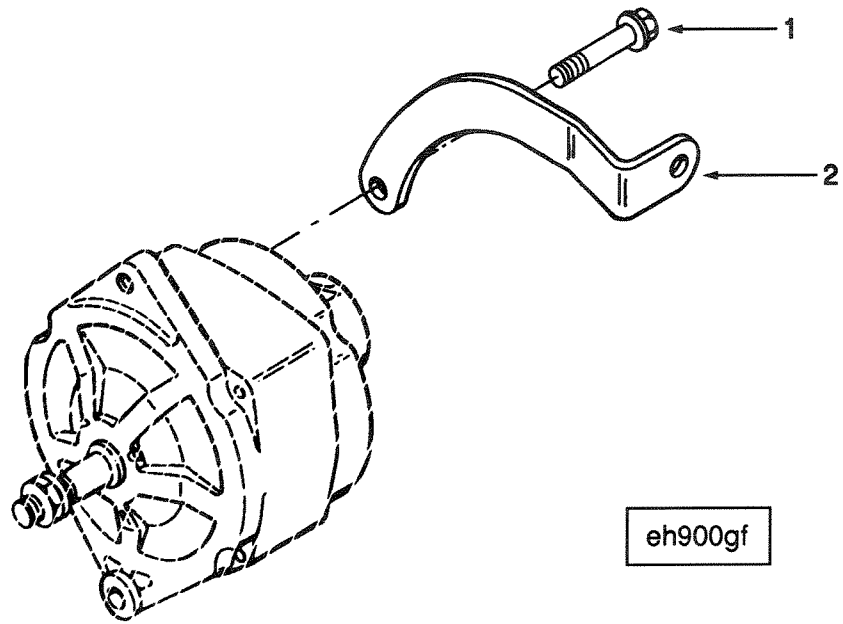


th900b

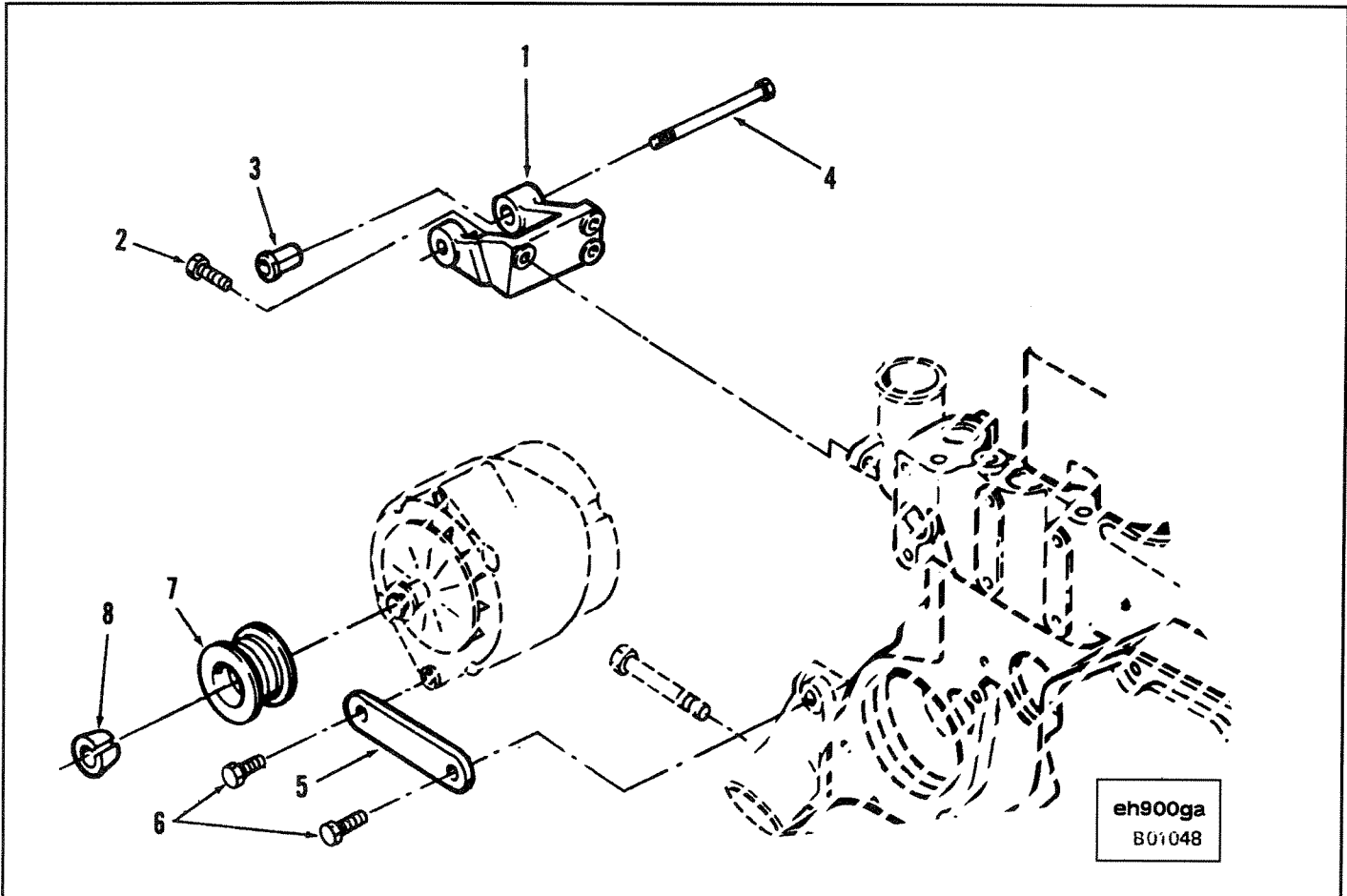
Ref No.	Part Number	Part Name	Req	Remarks	
		THERMOSTAT HOUSING			
		OPTION TH9001			
1	3903756	Housing, Thermostat	1	Thermostat housing with water outlet connection 45mm dia. positioned up	
2	3903757	Bracket, Lifting	1		
3	3903301	Gasket, Thrm Hsg Cover	1		
4	3903096	Screw, Hexagon Head Cap	2		M8 - 1.25 x 70mm
5	3900632	Screw, Hexagon Head Cap	1		M8 - 1.25 x 35mm
		THERMOSTAT			
		OPTION EC9001			
6	3912587	Thermostat	1	Vented thermostat, opens at 83 deg. (C)	



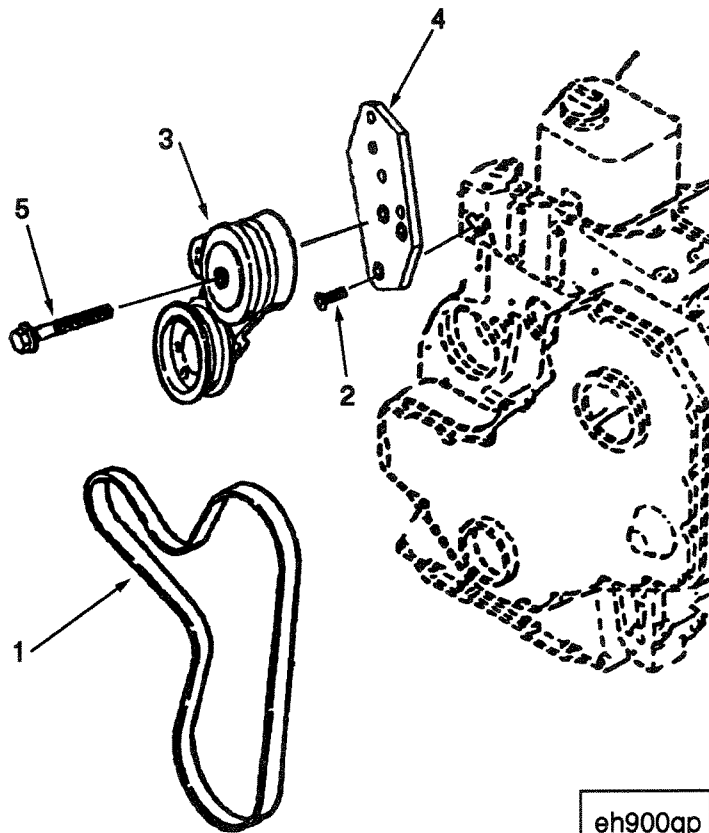
Ref No.	Part Number	Part Name	Req	Remarks
		ALTERNATOR		
		OPTION EE9027		
1	3904981	Fan, Alternator	1	12 volt 62 AMP negative ground Motorola 10-747 alternator. Includes alternator fan for clockwise rotation. Washer and nut are included with purchase of alternator
2	3911461	Alternator	1	



Ref No.	Part Number	Part Name	Req	Remarks
ALTERNATOR SUPPORT				
OPTION EE9703				
1	3900630	Screw, Hexagon Head Cap	1	Stiffener brace between 10 si alternator and exhaust manifold
2	3909961	Support, Alternator	1	

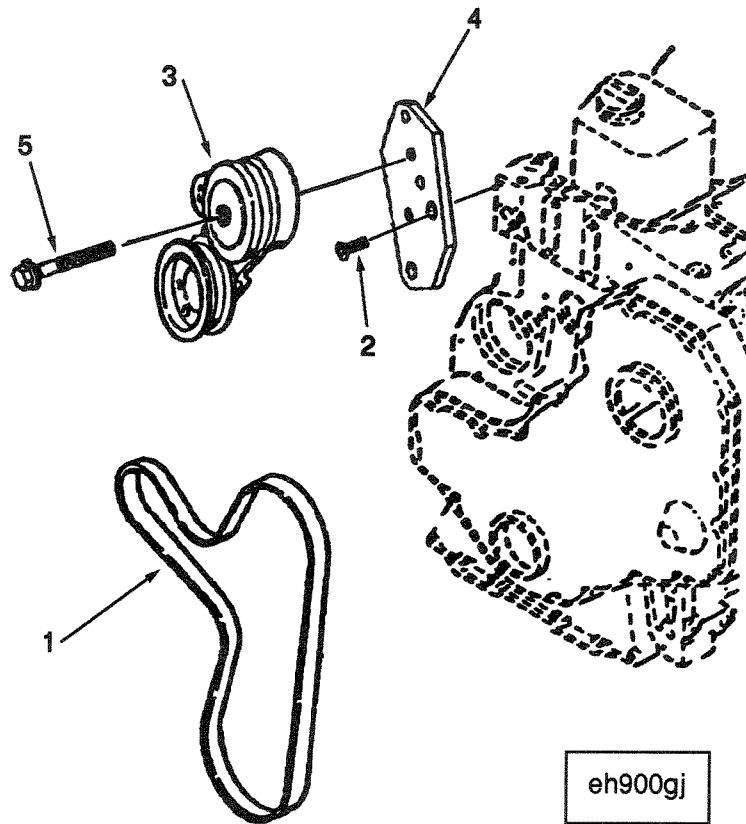


Ref No.	Part Number	Part Name	Req	Remarks
		ALTERNATOR SUPPORT		
		OPTION EH9001		
				Alternator mounting and drive provision for Delco-Remy 10 SI, Motorola 10-747/10-749 and Bosch K1 alternators
1	3910713	Support, Alternator	1	
2	3900621	Screw, Hexagon Head Cap	3	M8 - 1.25 x 25mm
3	3910715	Spacer, Mounting	1	
4	3910527	Screw, Hexagon Head Cap	1	M10 - 1.5 x 90mm
5	3903089	Brace, Alternator	1	
6	3900620	Screw, Hexagon Head Cap	1	M8 - 1.25 x 20mm
7	3908560	Pulley, Alternator	1	
8	3908563	Retainer, Pulley	1	



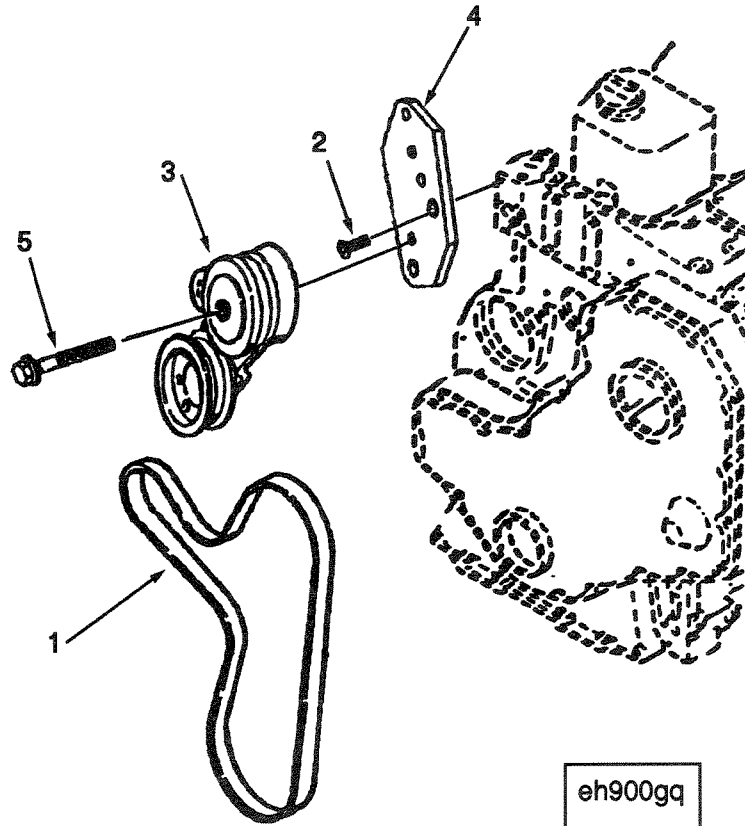
eh900gp

Ref No.	Part Number	Part Name	Req	Remarks
		ALTERNATOR MOUNTING		
		OPTION EH9703		
				Alternator drive belt and items required to adjust belt. Used with 10 SI or 15 SI Delco-Remy, Lucas A-127, Motorola 10-747 or 10-749 and Bosch K1 alternators and 1.1 to 1 fan drive ratio at 345 mm center belt tensioner mounted in low location arrangement
1	3903097	Belt, V Ribbed	1	
2	3903095	Screw, Flat Head Cap	2	
3	3912246	Tensioner, Belt	1	
4	3904550	Bracket, Belt Tensioner	1	
5	3905426	Screw, Hexagon Head Cap	1	M10 - 1.5 x 62mm



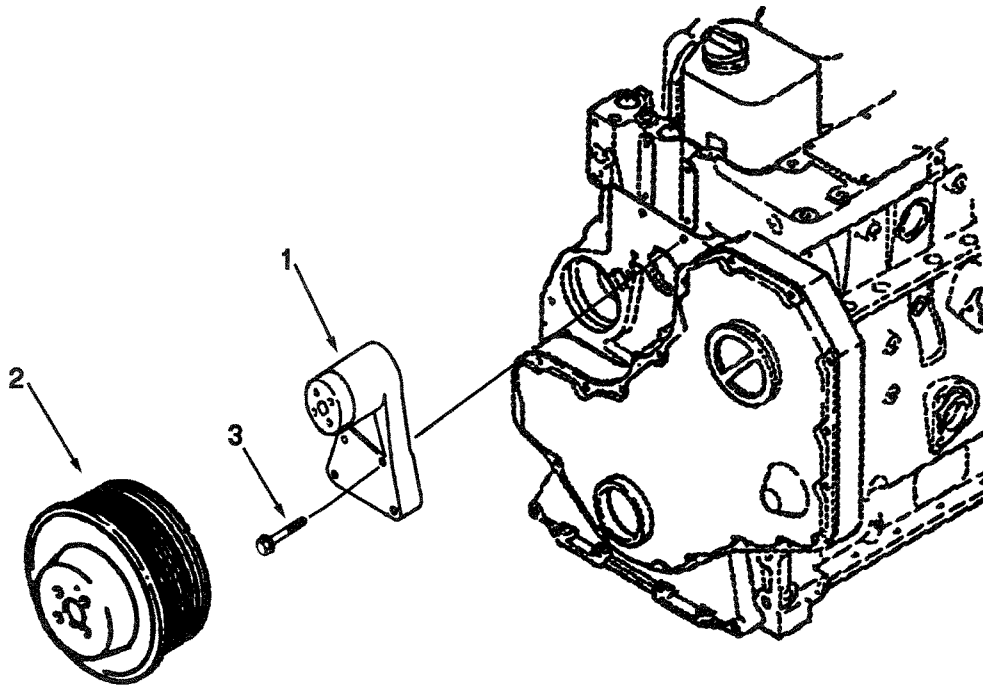
eh900gj

Ref No.	Part Number	Part Name	Req	Remarks
ALTERNATOR MOUNTING				
OPTION EH9704				
1	3903099	Belt, V Ribbed	1	Alternator drive belt and items required to adjust belt. Used with 10 SI or 15 SI Delco-Remy, Lucas A-127, Motorola 10-747 or 10-749 and Bosch K1 alternators and 1.1 to 1 fan drive ratio at 393.5 mm center arrangement. Belt tensioner mounted in high location.
2	3903095	Screw, Flat Head Cap	2	
3	3912246	Tensioner, Belt	1	
4	3904548	Bracket, Belt Tensioner	1	
5	3905426	Screw, Hexagon Head Cap	1	
			M10 - 1.5 x 62mm	



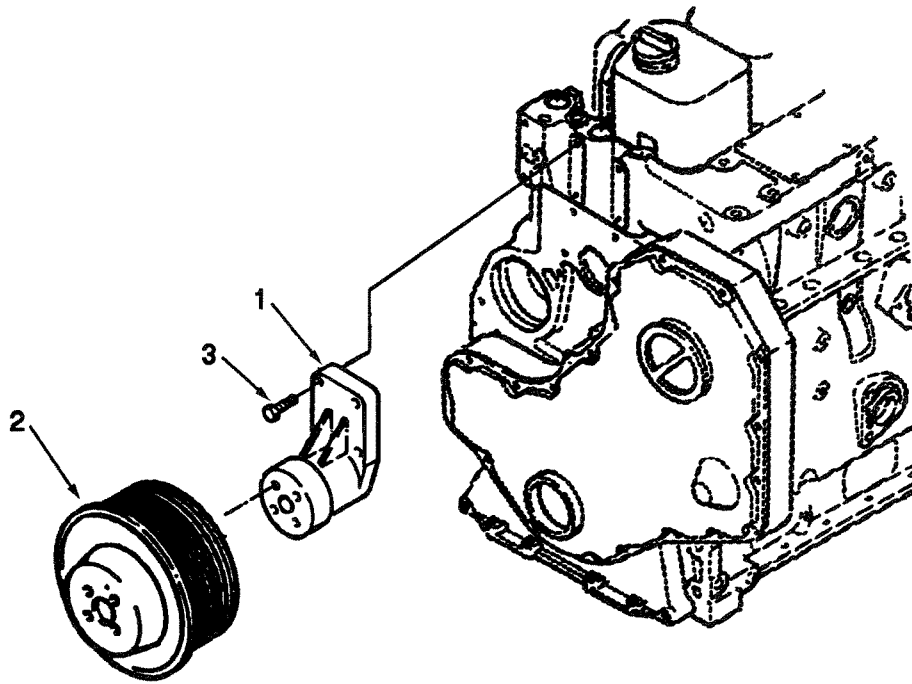
eh900gq

Ref No.	Part Number	Part Name	Req	Remarks
ALTERNATOR MOUNTING				
OPTION EH9705				
1	3903090	Belt, V Ribbed	1	Alternator drive belt and items required to adjust belt. Used with 10 SI or 15 SI Delco-Remy, Lucas A-127, Motorola & Bosch K1 alternators and 1.35 to 1 fan drive ratio at 295 mm center arrangement. Belt tensioner mounted in low location.
2	3903095	Screw, Flat Head Cap	2	
3	3912246	Tensioner, Belt	1	
4	3904549	Bracket, Belt Tensioner	1	



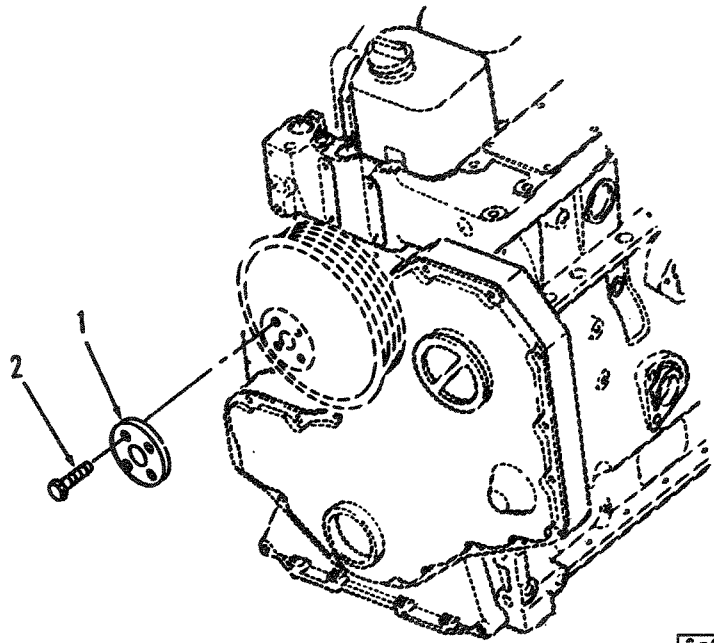
fa900gn

Ref No.	Part Number	Part Name	Req	Remarks
		FAN DRIVE		
		OPTION FA9003		
1	3909889	Support, Fan	1	1.1 to 1 drive ratio fan arrangement at 345 mm above centerline of crankshaft and on engine centerline. Fan mounting holes are on a 50mm bolt circle
2	3902710	Pulley, Fan	1	
3	3900678	Screw, Hexagon Head Cap	4	



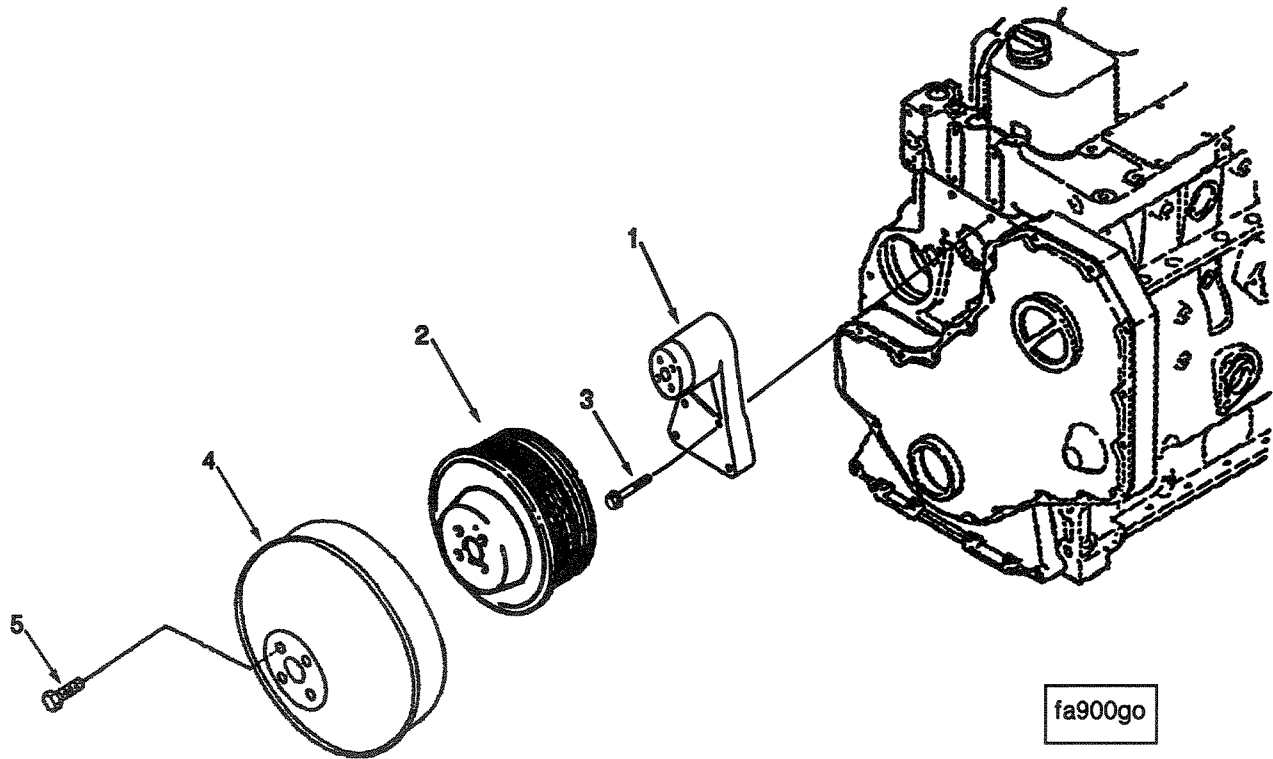
fa900gs

Ref No.	Part Number	Part Name	Req	Remarks
FAN DRIVE				
OPTION FA9012				
1	3909888	Support, Fan	1	1.35 to 1 drive ratio fan arrangement at 295.9MM above centerline of crankshaft and on engine centerline. Fan mounting holes are on a 50mm bolt circle
2	3902709	Pulley, Fan	1	
3	3900678	Screw, Hexagon Head Cap	4	

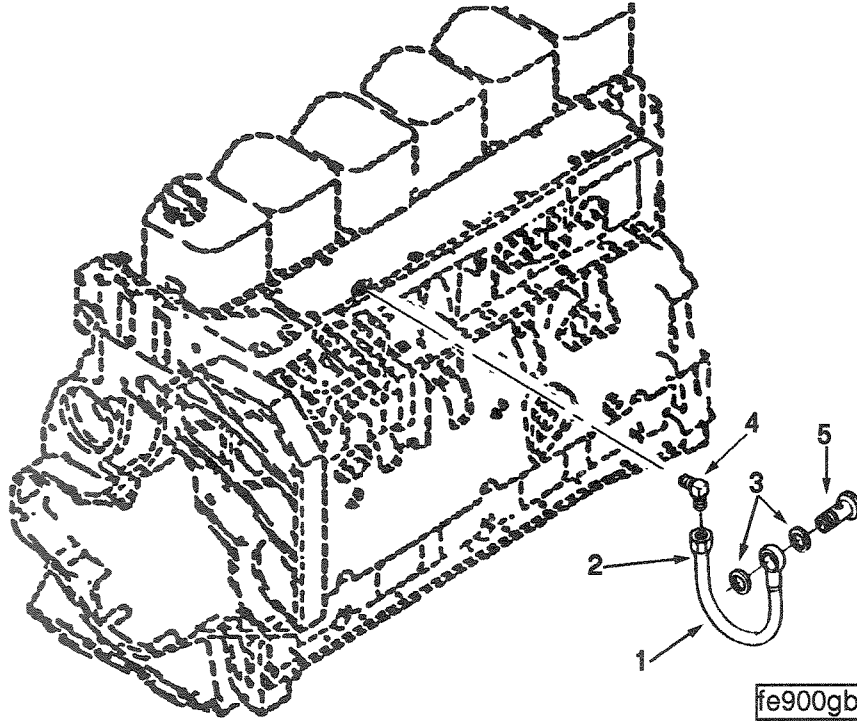


fa900a

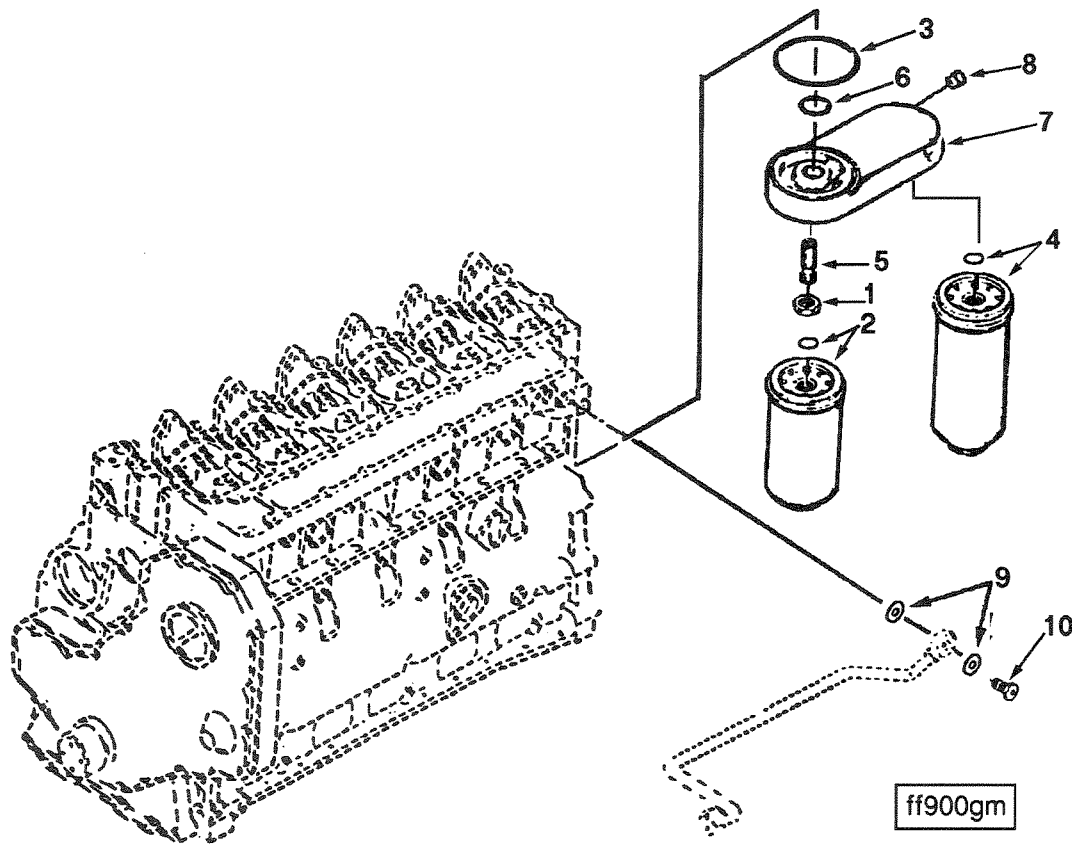
Ref No.	Part Number	Part Name	Req	Remarks
FAN DRIVE				
OPTION FA9701				
1	3904690	Plate, Clamping	1	Fan pulley mounting and clamping plate. To be used without fan spacing on the 50mm bolt circle fan hub.
2	3900227	Screw, Hexagon Head Cap	4	



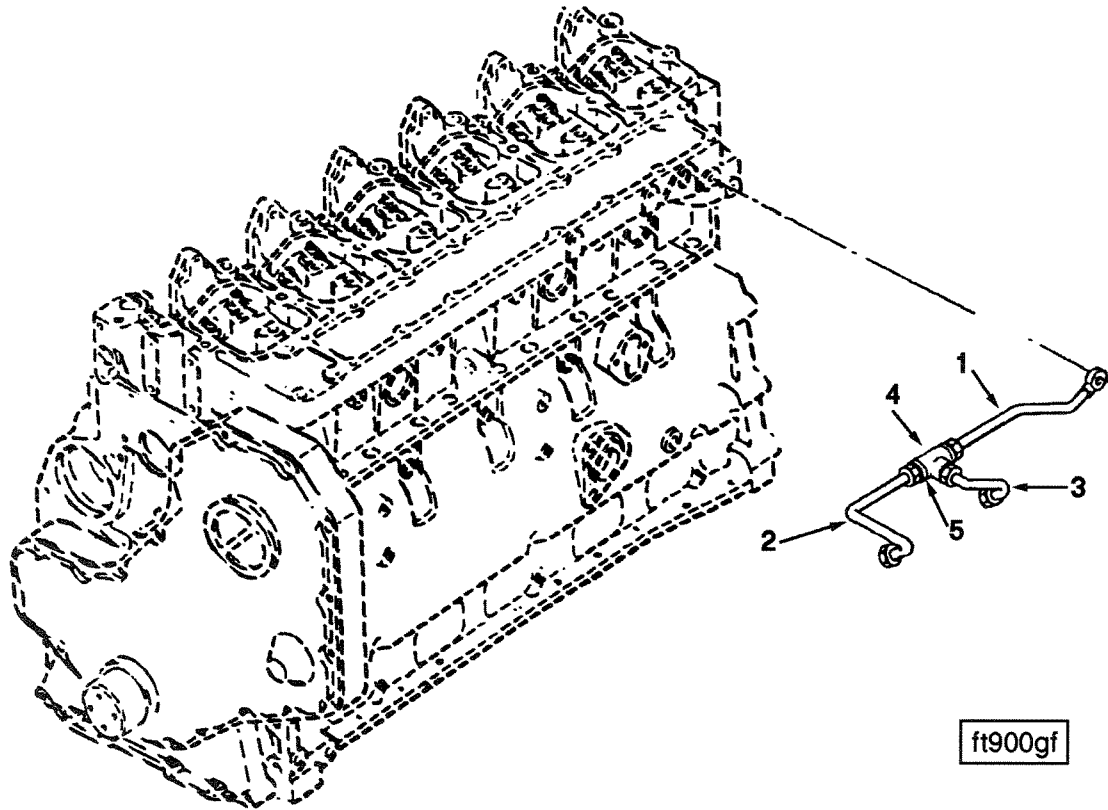
Ref No.	Part Number	Part Name	Req	Remarks
		FAN DRIVE		
		OPTION FA9004		
1	3909890	Support, Fan	1	1.1 to 1 drive ratio fan arrangement at 393.5 mm above centerline of crankshaft and on engine centerline. Fan mounting holes are on a 50mm bolt circle
2	3902710	Pulley, Fan	1	
3	3900678	Screw, Hexagon Head Cap	4	
		OPTION FA9016		
4	3903221	Pulley, Accessory	1	An additional 1/2" single groove drive pulley with a 50mm B.C. mounted to the fan drive pulley for the purpose of driving the freon compressor
		OPTION FA9702		
5	3900225	Screw, Hexagon Head Cap	4	Fan pulley mounting. To be used for testing and shipping M8-1.25 x 16mm



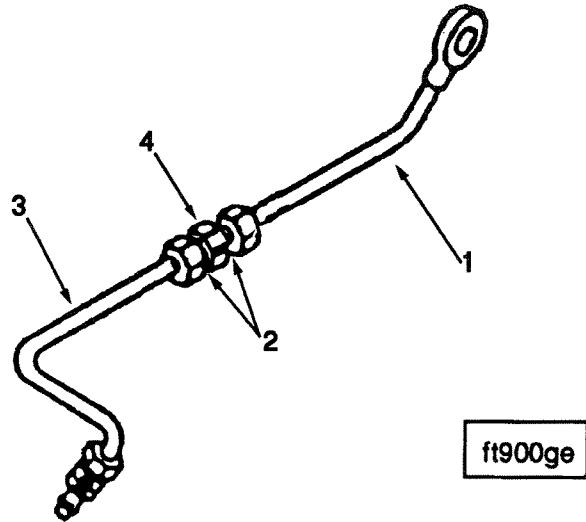
Ref No.	Part Number	Part Name	Req	Remarks
AIR FUEL CONTROL PLUMBING				
OPTION FE9701				
1	3910004	Tube, Air Fuel Control	1	Air/fuel control tube used on turbocharged engines with Bosch's "VE" or "VP" type fuel pumps with boost control.
2	3905391	Seal, Grommet	1	
3	3903728	Washer, Plain	2	
4	3910265	Elbow, Male Adapter	1	
5	3903729	Screw, Banjo Connector	1	



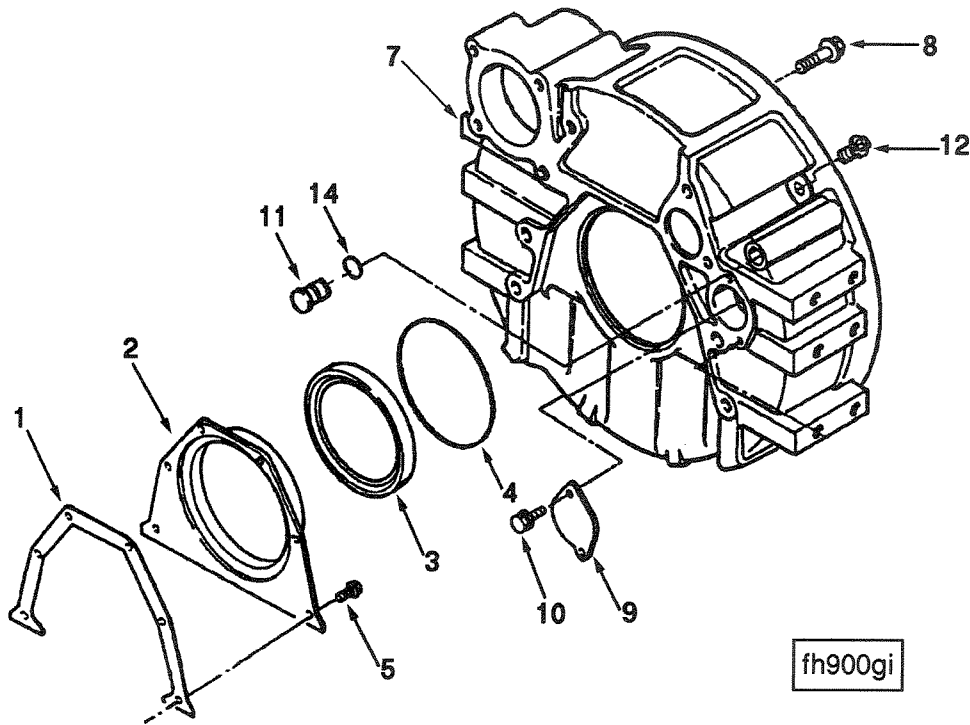
Ref No.	Part Number	Part Name	Req	Remarks
		FUEL FILTER		
		OPTION FF9007		
				Dual element fuel filter arrangement with primary element mounted rearward
1	3903293	Nut, Regular Hexagon	1	M16 x 8mm
2	3903640	Filter, Fuel	1	
3	3906694	Seal, Rectangular Ring	1	
4	3903410	Filter, Fuel	1	
5	3903845	Adapter, Filter Head	1	M16 - 1.5 x 52mm
6	3906695	Seal, Rectangular Ring	1	
	3904362	Head, Fuel Filter	1	
7	(3905491)	Head, Fuel Filter	1	
8	203933	Plug, Expansion	1	
9	3903037	Washer, Plain	2	
10	3905860	Screw, Banjo Connector	1	



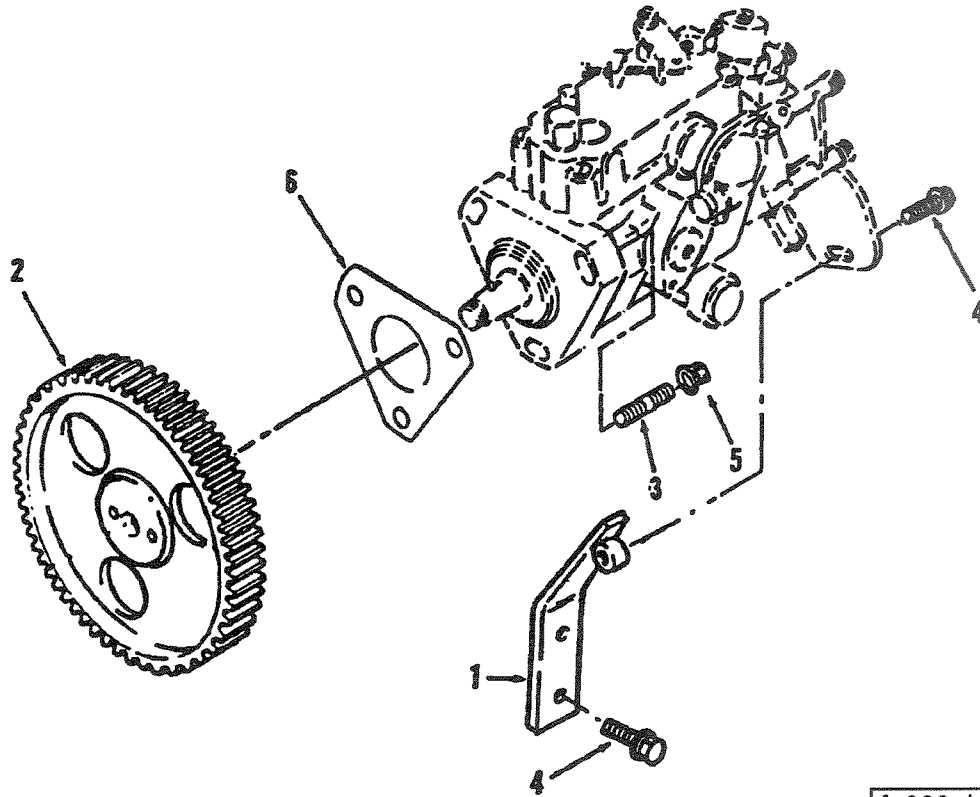
Ref No.	Part Number	Part Name	Req	Remarks
		FUEL SUPPLY TUBE		
		OPTION FF9701		
				Fuel supply tube from fuel filter head to Cav's "DPA" type fuel injection pump
1	3905364	Tube, Fuel Supply	1	
5	3905351	Seal, Grommet	1	
2	3905363	Tube, Fuel Supply	1	
5	3905351	Seal, Grommet	1	
3	3905375	Tube, Fuel Supply	1	
5	3905351	Seal, Grommet	1	
4	3905353	Tee, Male Union	1	



Ref No.	Part Number	Part Name	Req	Remarks
FUEL SUPPLY TUBE				
OPTION FF9702				
1	3908988	Tube, Fuel Supply	1	Fuel supply tube from fuel filter head to Bosch's VE or VP type fuel injection pump.
2	3905351	Seal, Grommet	1	
3	3912784	Tube, Fuel Supply	1	
2	3905351	Seal, Grommet	1	
4	3908985	Union, Male	1	

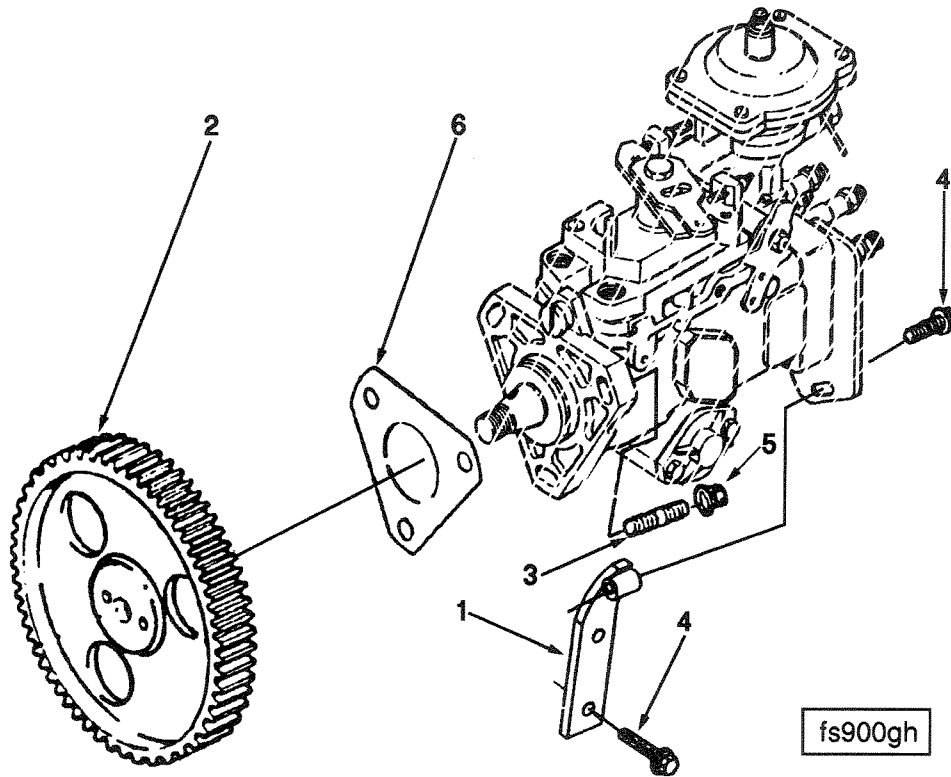


Ref No.	Part Number	Part Name	Req	Remarks
		FLYWHEEL HOUSING		
		OPTION FH9002		
				Sae# 3 aluminum flywheel hsg. Dry pad type with Sae# 1 starter flange at at 216 mm center distance high on exhaust high.
1	3901019	Gasket, Rear Cover	1	
2	3906526	Cover, Rear	1	
	3909410	Kit, Seal	1	Includes installation tools
3	(3904089)	Seal, Oil	1	
4	3912473	Seal, O-Ring	1	
5	3900627	Screw, Hexagon Head Cap	6	M6 - 1.00 x 14mm
7	3903282	Housing, Flywheel	1	
8	3910540	Screw, Hexagon Head Cap	8	M12 - 1.25 x 40mm
9	3908095	Plate, Cover	1	
10	3912072	Screw, Hexagon Head Cap	2	M8 - 1.25 x 21mm
11	3910248	Plug, O-Ring	1	
12	3904181	Plug, Threaded	1	
14	3910260	Seal, O-Ring	1	

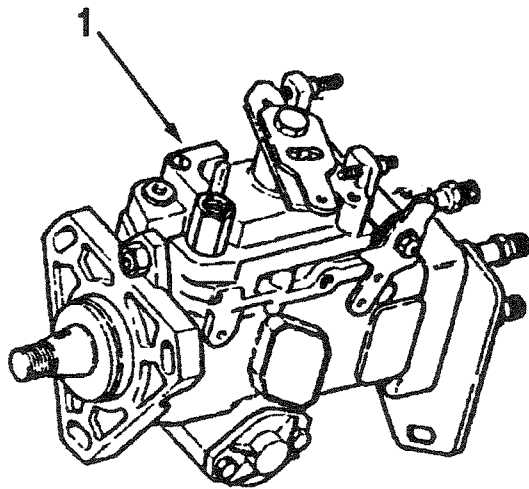


fp900gi

Ref No.	Part Number	Part Name	Req	Remarks	
		FUEL PUMP COUPLING			
		OPTION FP9701			
1	3905387	Brace, Fuel Pump	1	Fuel pump coupling assembly for use on engines using Cav "DPA" fuel pump without air compressor.	
2	3911331	Gear, Fuel Pump	1		
3	3902501	Stud	3		
4	3900630	Screw, Hexagon Head Cap	3		M8 - 1.25 x 20mm
5	3900589	Nut, Hexagon Flange	3		
6	3905685	Gasket, Fuel Pump	1		

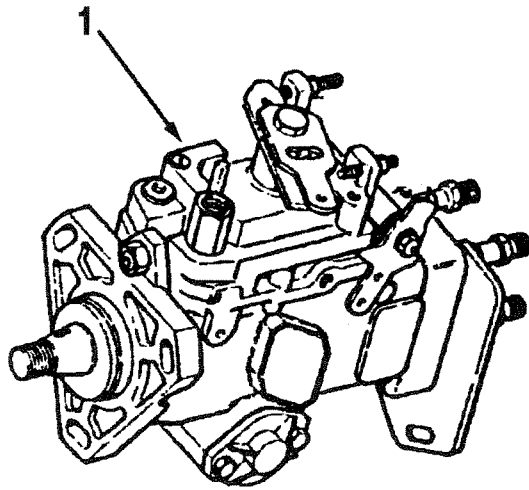


Ref No.	Part Number	Part Name	Req	Remarks	
		FUEL PUMP COUPLING			
		OPTION FP9702			
1	3905313	Brace, Fuel Pump	1	Fuel pump coupling assembly for use on turbocharged engines using Bosch injection pumps without air compressor.	
2	3911331	Gear, Fuel Pump	1		
3	3902501	Stud	3		
4	3900630	Screw, Hexagon Head Cap	3		M8 - 1.25 x 20mm
5	3900589	Nut, Hexagon Flange	3		
6	3905685	Gasket, Fuel Pump	1		



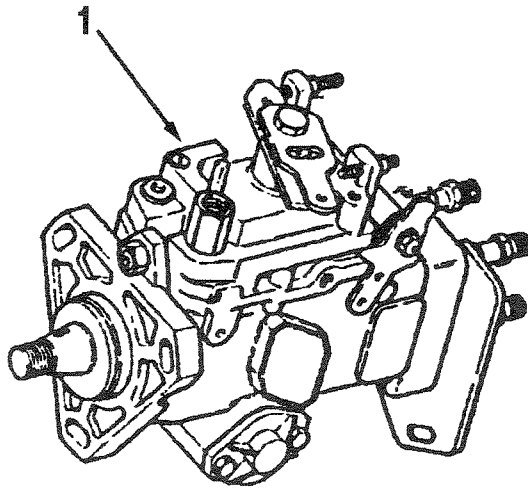
fp900a

Ref No.	Part Number	Part Name	Req	Remarks
		FUEL PUMP		
		OPTION FP9956		CPL 599
1	3908166	Pump, Fuel Injection	1	12V Solenoid; Actuate to run. 177 BHP at 2500 RPM
		OPTION FP9896		CPL 728
1	3908212	Pump, Fuel Injection	1	12V Solenoid; Actuate to run. 128 BHP at 2800 RPM
		OPTION FP9955		CPL 728
1	3908203	Pump, Fuel Injection	1	12V Solenoid; Actuate to run. 130 BHP at 2650 RPM
		OPTION FP9899		CPL 728
1	3908217	Pump, Fuel Injection	1	24V Solenoid; Actuate to run. 130 BHP at 2650 RPM
		OPTION FP9954		CPL 938
1	3908211	Pump, Fuel Injection	1	12V Solenoid; Actuate to run. 88 BHP at 2000 RPM
		OPTION FP9902		CPL 938
1	3908204	Pump, Fuel Injection	1	24V Solenoid; Actuate to run. 88 BHP at 2000 RPM
		OPTION FP9298		CPL 938
1	3912559	Pump, Fuel Injection	1	12V Solenoid; Actuate to run. 122 BHP at 2200 RPM
		OPTION FP9951		CPL 938
1	3908207	Pump, Fuel Injection	1	24V Solenoid; Actuate to run. 122 BHP at 2200 RPM



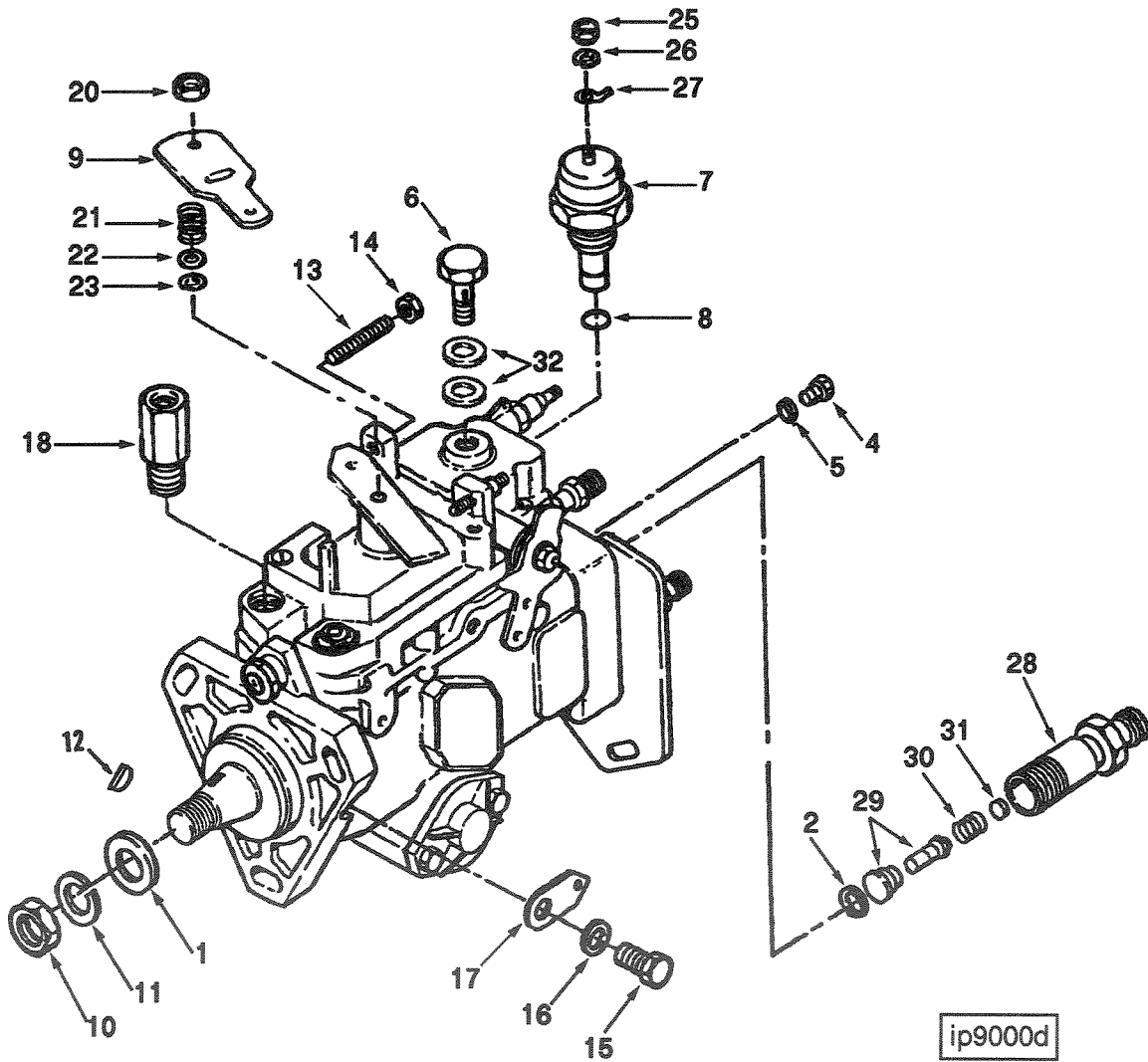
fp900a

Ref No.	Part Number	Part Name	Req	Remarks
		FUEL PUMP		
		OPTION FP9898		CPL 938
1	3908216	Pump, Fuel Injection	1	12V Solenoid; Actuate to run. 124 BHP at 2400 RPM
		OPTION FP9952		CPL 938
1	3908206	Pump, Fuel Injection	1	12V Solenoid; Actuate to run. 126 BHP at 2100 RPM
		OPTION FP9184		CPL 938
1	3908324	Pump, Fuel Injection	1	12V Solenoid; Actuate to run. 137 BHP at 2000 RPM
		OPTION FP9314		CPL 938
1	3912826	Pump, Fuel Injection	1	12V Solenoid; Actuate to stop. 140 BHP at 2200 RPM
		OPTION FP9895		CPL 938
1	3908209	Pump, Fuel Injection	1	24V Solenoid; Actuate to stop. 140 BHP at 2200 RPM
		OPTION FP9892		CPL 938
1	3908201	Pump, Fuel Injection	1	12V Solenoid; Actuate to run. 142 BHP at 2100 RPM
		OPTION FP9147		CPL 938
1	3910252	Pump, Fuel Injection	1	24V Solenoid; Actuate to run. 142 BHP at 2100 RPM
		OPTION FP9891		CPL 938
1	3908200	Pump, Fuel Injection	1	12V Solenoid; Actuate to run. 145 BHP at 2200 RPM

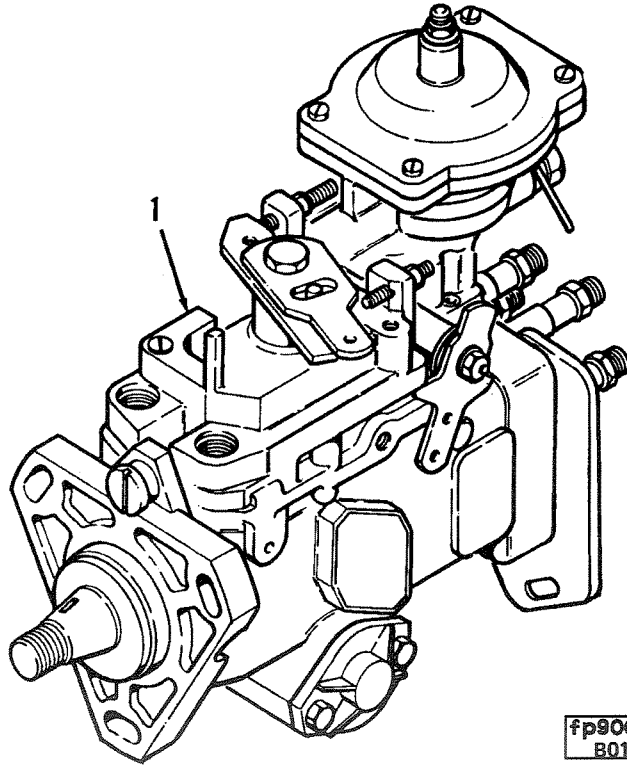


fp900a

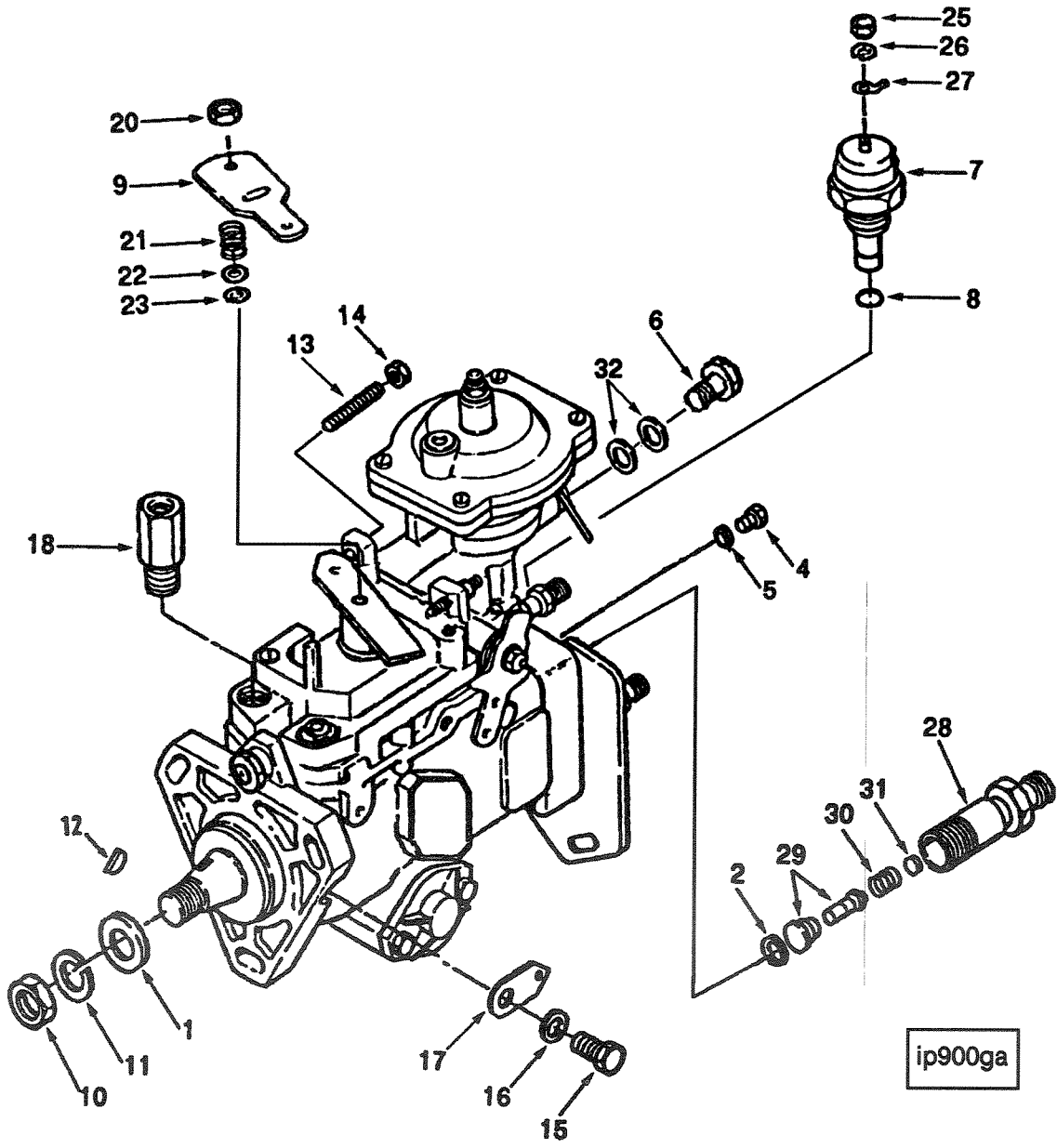
Ref No.	Part Number	Part Name	Req	Remarks
		FUEL PUMP		
		OPTION FP9148		CPL 938
1	3910251	Pump, Fuel Injection	1	24V Solenoid; Actuate to run. 145 BHP at 2200 RPM
		OPTION FP9890		CPL 938
1	3908199	Pump, Fuel Injection	1	12V Solenoid; Actuate to run. 148 BHP at 2300 RPM
		OPTION FP9146		CPL 938
1	3910250	Pump, Fuel Injection	1	24V Solenoid; Actuate to run. 148 BHP at 2300 RPM
		OPTION FP9889		CPL 938
1	3908198	Pump, Fuel Injection	1	12V Solenoid; Actuate to run. 152 BHP at 2500 RPM
		OPTION FP9949		CPL 938
1	3908214	Pump, Fuel Injection	1	24V Solenoid; Actuate to run. 152 BHP at 2500 RPM
		OPTION FP9953		CPL 938
1	3908208	Pump, Fuel Injection	1	24V Solenoid; Actuate to run. 126 BHP at 2100 RPM
		OPTION FP9777		CPL 943
1	3904535	Pump, Fuel Injection	1	12V Solenoid; Actuate to run. 120 BHP at 2100 RPM
		OPTION FP9775		CPL 943
1	3904537	Pump, Fuel Injection	1	24V Solenoid; Actuate to run. 120 BHP at 2100 RPM



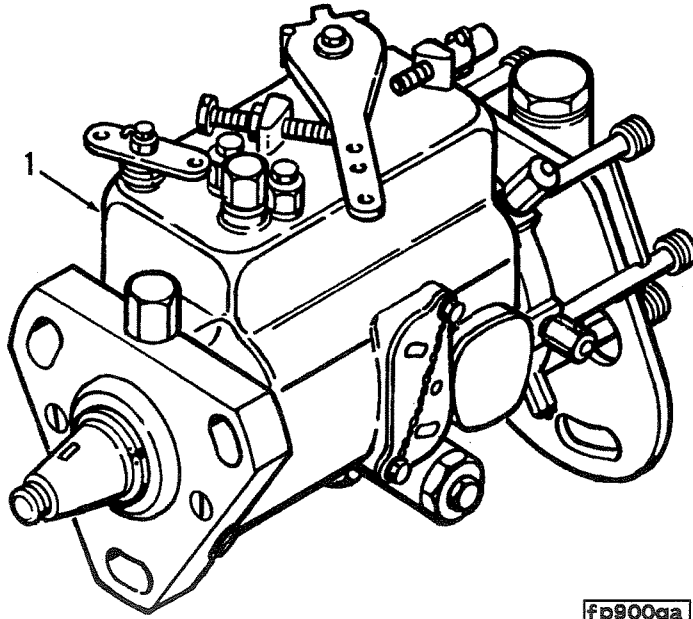
Ref No.	Part Number	Part Name	Req	Remarks
BOSCH VE PUMP SERVICE PARTS				
1	3903569	Seal, Shaft	1	
2	3903570	Gasket, Delivery Valve	4	
4	3903572	Screw, Vent	1	
5	3903573	Gasket, Vent Screw	1	
6	3905465	Screw, Banjo Connector	1	
7	3903575	Kit, Solenoid	1	12V actuate to run
8	3903577	O'Ring	1	
7	3903576	Kit, Solenoid	1	24V actuate to run
8	3903577	O'Ring	1	
7	3905130	Kit, Solenoid	1	12V actuate to stop
8	3903577	O'Ring	1	
7	3905131	Kit, Solenoid	1	24V actuate to stop
8	3903577	O'Ring	1	
9	3908765	Lever, Control	1	
10	3903738	Nut, Regular Hexagon	1	
11	S-609	Washer Lock	1	
12	3902332	Key, Plain Woodruff	1	
13	3904782	Screw, Low Idle Stop	1	
14	3904783	Nut, Idle Screw Hexagon	1	
15	3904784	Screw, Timing Lock	1	
16	3904785	O'Ring, Timing Lock	1	
17	3904786	Plate, Timing Lock	1	
18	3903382	Adapter, Tube	1	
19	3905696	Bracket	1	For 6 cylinder pump
20	3907475	Nut	1	
21	3907476	Spring	1	
22	3907477	Shim	1	
23	3907478	Lockwasher	1	
24	3907479	Lever, Splined	1	
25	3907480	Nut	1	
26	3907481	Lockwasher	1	
27	3907482	Blade, Terminal	1	
32	3903037	Washer, Plain	2	
	3802047	Kit, Delivery Bypass Valve	1	Bosch Industrial Engines Only
2	3903570	Gasket, Delivery Valve	1	
28	3910794	Fitting, Bypass Valve	1	
29	3910795	Valve, Bypass	1	
30	3910796	Spring	1	
31	3910797	Shim	1	



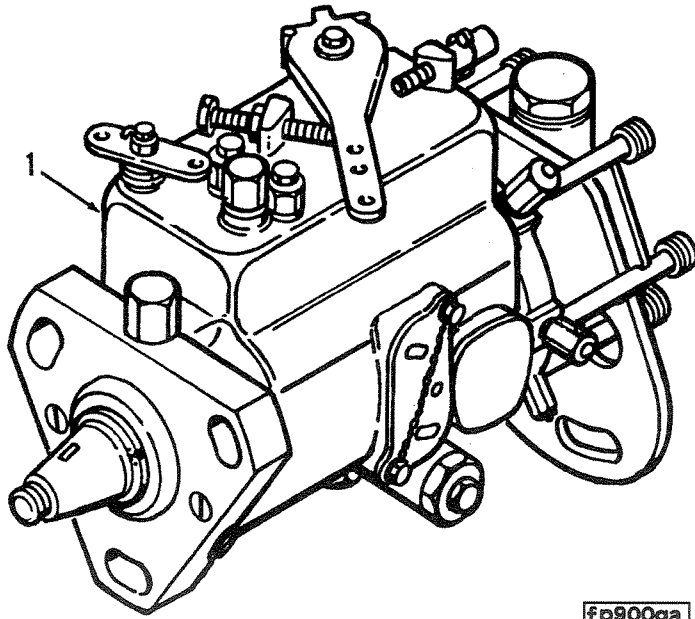
Ref No.	Part Number	Part Name	Req	Remarks
		FUEL PUMP		
		OPTION FP9746		CPL 599
1	3904731	Pump, Fuel Injection	1	12V Solenoid; Actuate to run. 141 BHP at 2200 RPM
		OPTION FP9743		CPL 599
1	3904728	Pump, Fuel Injection	1	12V Solenoid; Actuate to run. 169 BHP at 2100 RPM
		OPTION FP9742		CPL 599
1	3904727	Pump, Fuel Injection	1	12V Solenoid; Actuate to run. 174 BHP at 2200 RPM
		OPTION FP9757		CPL 599
1	3904545	Pump, Fuel Injection	1	24V Solenoid; Actuate to run. 174 BHP at 2200 RPM
		OPTION FP9741		CPL 599
1	3904726	Pump, Fuel Injection	1	12V Solenoid; Actuate to run. 176 BHP at 2300 RPM
		OPTION FP9901		CPL 599
1	3908219	Pump, Fuel Injection	1	12V Solenoid; Actuate to run. 177 BHP at 2500 RPM
		OPTION FP9846		CPL 599
1	3907643	Pump, Fuel Injection	1	24V Solenoid; Actuate to run. 177 BHP at 2500 RPM
		OPTION FP9776		CPL 715
1	3904544	Pump, Fuel Injection	1	12V Solenoid; Actuate to run. 143 BHP at 2100 RPM



Ref No.	Part Number	Part Name	Req	Remarks
		BOSCH VE PUMP SERVICE PARTS		
1	3903569	Seal, Shaft	1	
2	3903570	Gasket, Delivery Valve	4	
4	3903572	Screw, Vent	1	
5	3903573	Gasket, Vent Screw	1	
6	3905465	Screw, Banjo Connector	1	
7	3903575	Kit, Solenoid	1	12V actuate to run
8	3903577	O'Ring	1	
7	3903576	Kit, Solenoid	1	24V actuate to run
8	3903577	O'Ring	1	
7	3905130	Kit, Solenoid	1	12V actuate to stop
8	3903577	O'Ring	1	
7	3905131	Kit, Solenoid	1	24V actuate to stop
8	3903577	O'Ring	1	
9	3908765	Lever, Control	1	
10	3903738	Nut, Regular Hexagon	1	
11	S-609	Washer Lock	1	
12	3902332	Key, Plain Woodruff	1	
13	3904782	Screw, Low Idle Stop	1	
14	3904783	Nut, Idle Screw Hexagon	1	
15	3904784	Screw, Timing Lock	1	
16	3904785	O'Ring Timing Lock	1	
17	3904786	Plate, Timing Lock	1	
18	3903382	Adapter, Tube	1	
19	3905696	Bracket	1	For 6 cylinder pump
20	3907475	Nut	1	
21	3907476	Spring	1	
22	3907477	Shim	1	
23	3907478	Lockwasher	1	
24	3907479	Lever, Splined	1	
25	3907480	Nut	1	
26	3907481	Lockwasher	1	
27	3907482	Blade, Terminal	1	
32	3903037	Washer, Plain	2	
	3802047	Kit, Delivery Bypass Valve	1	Bosch Industrial Engines Only
2	3903570	Gasket, Delivery Valve	1	
28	3910794	Fitting, Bypass Valve	1	
29	3910795	Valve, Bypass	1	
30	3910796	Spring	1	
31	3910797	Shim	1	

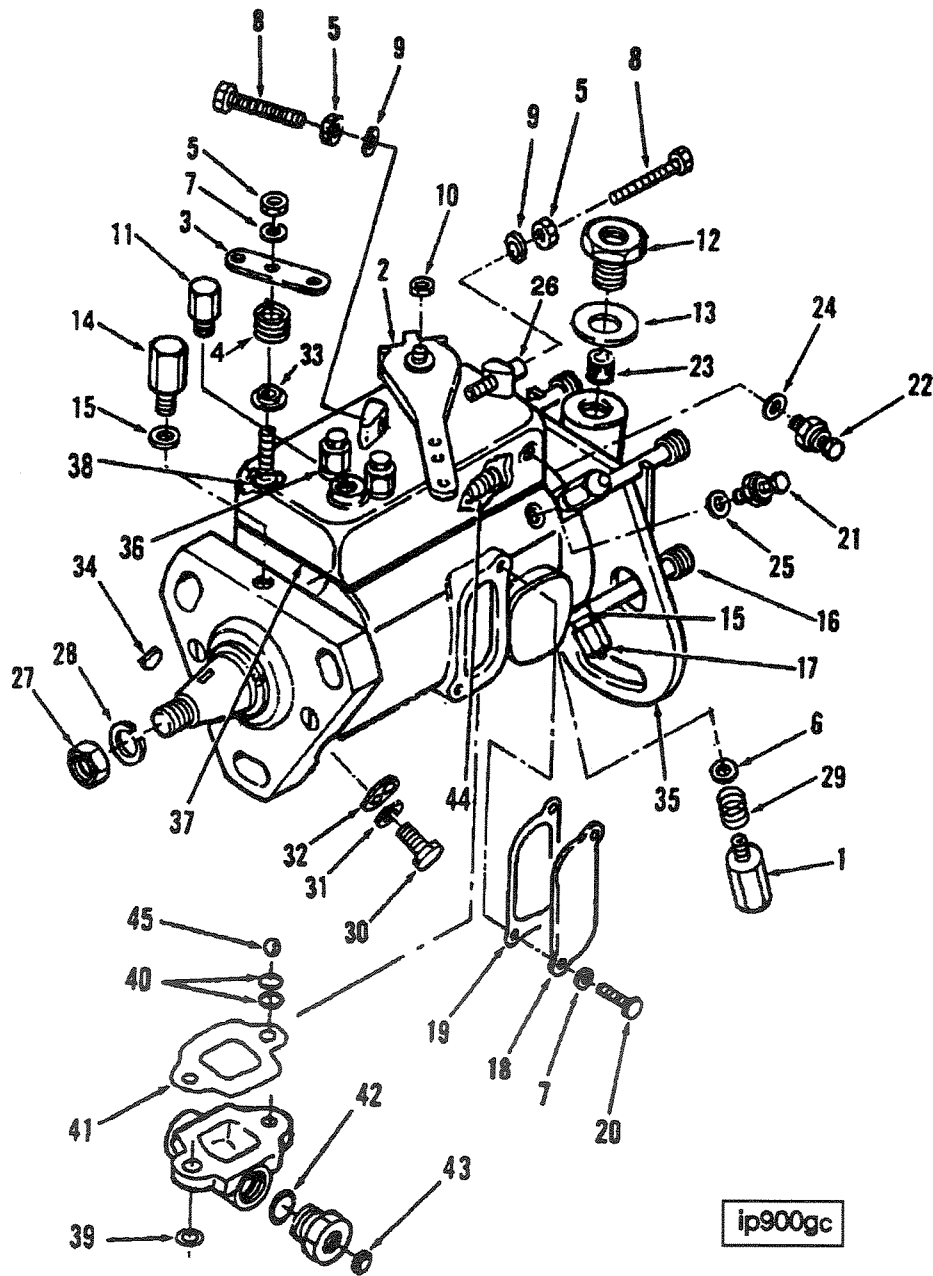


Ref No.	Part Number	Part Name	Req	Remarks
		FUEL PUMP		
		OPTION FP9793		CPL 596, 845
1	3908663	Pump, Injection Cav	1	12V Solenoid; Actuate to run. 88 BHP at 2000 RPM.
		OPTION FP9773		CPL 596, 845
1	3908666	Pump, Injection Cav	1	24V Solenoid; Actuate to run. 88 BHP at 2000 RPM.
		OPTION FP9732		CPL 596, 845
1	3908664	Pump, Injection Cav	1	12V Solenoid; Actuate to run. 98 BHP at 2200 RPM.
		OPTION FP9772		CPL 596, 845
1	3908649	Pump, Injection Cav	1	24V Solenoid; Actuate to run. 98 BHP at 2200 RPM. Torque of 259 LBS. FT. at 1200 RPM.
		OPTION FP9918		CPL 596, 845
1	3908440	Pump, Injection Cav	1	24V Solenoid; Actuate to run. 98 BHP at 2200 RPM. Torque of 270 LBS. FT. at 1200 RPM.
		OPTION FP9729		CPL 714
1	3908648	Pump, Injection Cav	1	12V Solenoid; Actuate to run. 101 BHP at 2100 RPM.
		OPTION FP9981		CPL 714
1	3908973	Pump, Injection Cav	1	24V Solenoid; Actuate to run. 101 BHP at 2100 RPM.

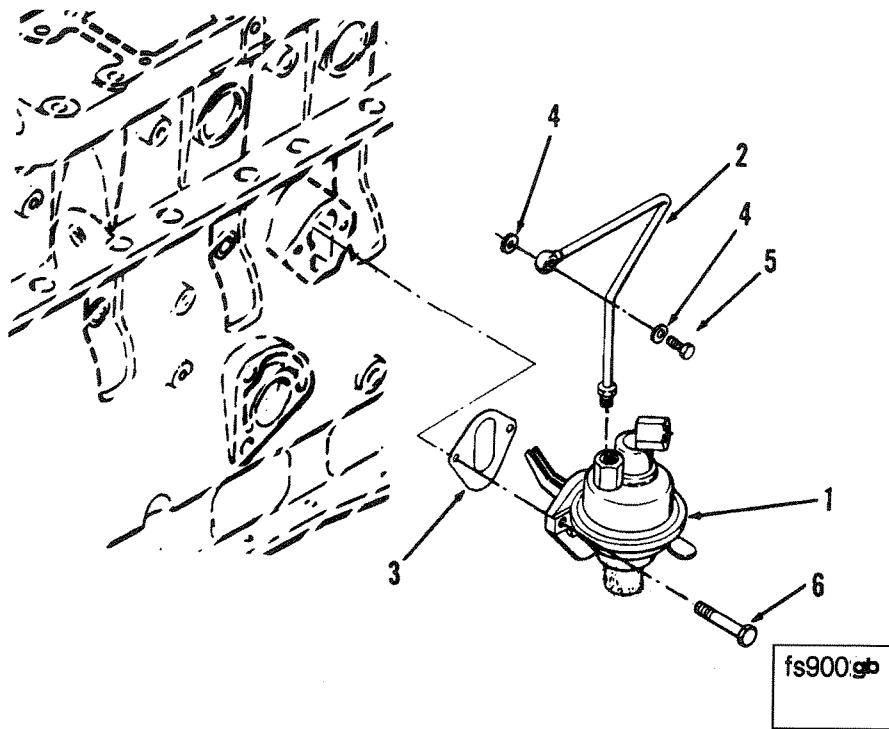


fp900ga
B01220

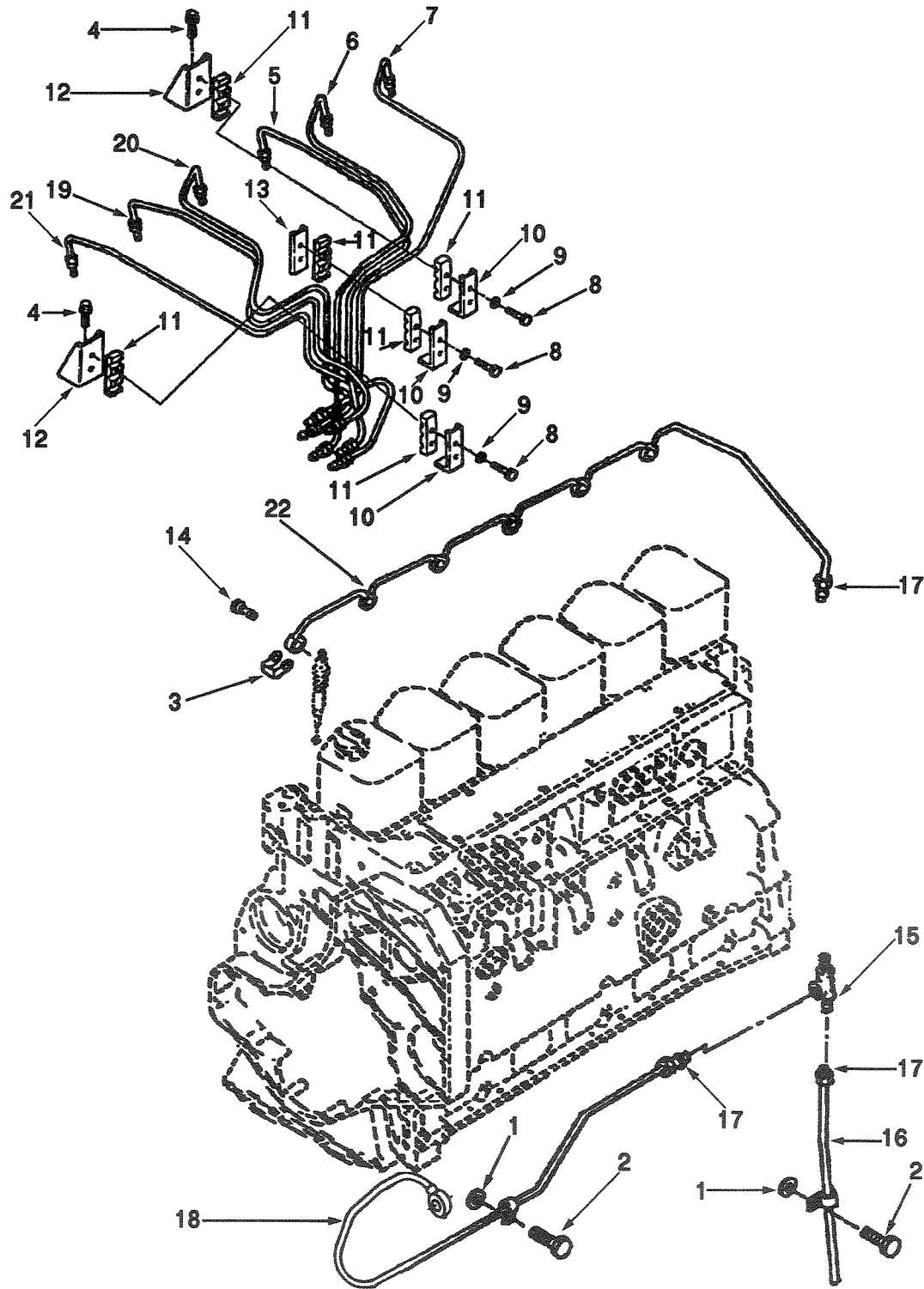
Ref No.	Part Number	Part Name	Req	Remarks
		FUEL PUMP		
		OPTION FP9728		CPL 714
1	3908665	Pump, Injection Cav	1	12V Solenoid; Actuate to run. 105 BHP at 2200 RPM.
		OPTION FP9727		CPL 714
1	3908661	Pump, Injection Cav	1	12V Solenoid; Actuate to run. 110 BHP at 2300 RPM.
		OPTION FP9982		CPL 714
1	3908971	Pump, Injection Cav	1	24V Solenoid; Actuate to run. 110 BHP at 2300 RPM.
		OPTION FP9726		CPL 714
1	3908650	Pump, Injection Cav	1	12V Solenoid; Actuate to run. 115 BHP at 2500 RPM.
		OPTION FP9842		CPL 714
1	3908673	Pump, Injection Cav	1	12V Solenoid; Actuate to run. 115 BHP at 2500 RPM.
		OPTION FP9819		CPL 791
1	3908974	Pump, Injection Cav	1	12V Solenoid; Actuate to run. 120 BHP at 2800 RPM
		OPTION FP9980		CPL 791
1	3908975	Pump, Injection Cav	1	24V Solenoid; Actuate to run. 120 BHP at 2800 RPM



Ref No.	Part Number	Part Name	Req	Remarks
CAV DPA SERVICE PARTS				
1	3904630	Kit, Solenoid	1	12V Solenoid; Actuate to run
1	3905125	Kit, Solenoid	1	24V Solenoid; Actuate to run
2	3904631	Kit, Throttle Lever	1	
3	3904632	Lever, Shutoff	1	
4	3904633	Spring, Shutoff	1	
5	3904634	Locknut	3	
6	3904635	O'Ring, Solenoid	1	
7	3904636	Washer	3	
8	3904637	Screw, Idle Set	2	
9	3904638	Washer, Flat	2	
10	3904639	Nut, Self Locking	1	
11	3904640	Orifice, Bleed	1	
12	3904641	Fitting, Inlet	1	
13	3904642	Washer, Copper Inlet	1	
14	3904643	Fitting, Return	1	
15	3904644	Washer, Sealing	9	
16	3904645	Fitting, Banjo	4	
17	3904646	Bolt, Banjo	4	
18	3904647	Cover, Inspection	1	
19	3904648	Gasket, Cover	1	
20	3904649	Bolt, Cover	2	
21	3904650	Assembly, Screw	2	
22	3904651	Assembly, Screw	1	
23	3904652	Filter, Inlet	1	
24	3904653	Washer, Vent Screw	1	
25	3904654	Washer, Copper	1	
26	3904655	Cap, Sealing	1	
27	S-203-A	Nut, Regular Hexagon Jam	1	
28	S-609	Washer, Lock	1	
29	3904777	Spring, Solenoid	1	
30	3904778	Screw, Cap	1	Locked Timing
31	3904779	Washer	1	Locked Timing
32	3904780	Seal	1	Locked Timing
33	3904781	Guide, Spring	1	
34	3902332	Key, Plain Woodruff	1	
35	3905695	Bracket	1	6 Cylinder Engine
36	3907485	Washer, Fiber	2	
37	3907486	Gasket	1	
38	3907487	O'Ring	4	
39	3907488	Washer	1	
40	3907489	O'Ring	2	
41	3907490	Gasket	1	
42	3907491	O'Ring	2	
43	3907492	Washer	1	
44	3907493	Spring	1	
	3907494	Spring	1	
	3907495	Spring	1	
	3907496	Spring	1	
45	3907497	Checkball	1	



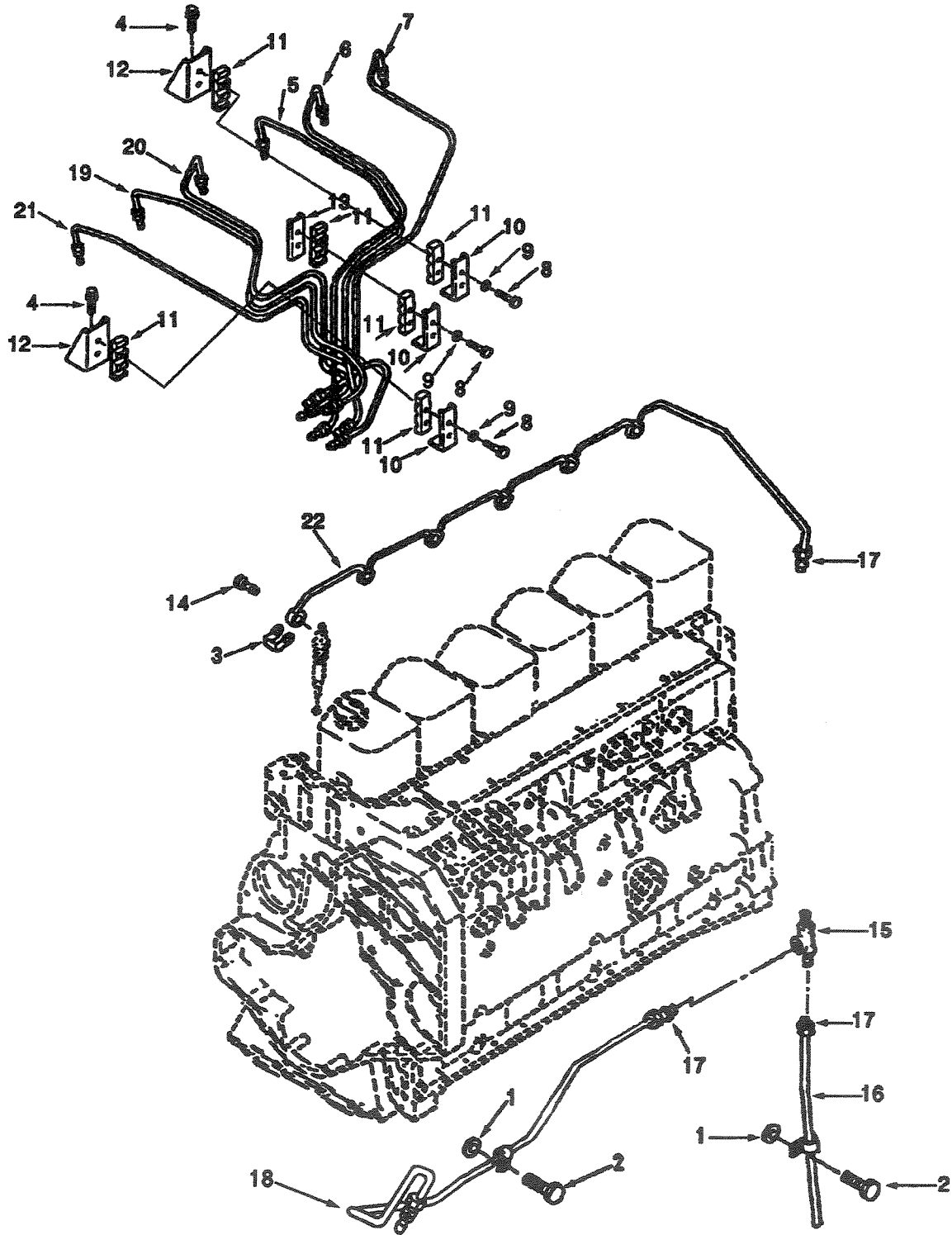
Ref No.	Part Number	Part Name	Req	Remarks	
		FUEL SYSTEM ACCESSORIES			
		OPTION FS9004			
1	3904374	Pump, Fuel Transfer	1	Lift pump required when fuel supply tank is below regular fuel pump	
2	3907582	Tube, Fuel Supply	1		
3	3904044	Gasket, Cover Plate	1		
4	3903037	Washer, Plain	2		
5	3903035	Screw, Banjo Connector	1		M12 - 1.5 x 24mm
6	3900631	Screw, Hexagon Head Cap	2		M8-1.25 x 25mm



ft900gj

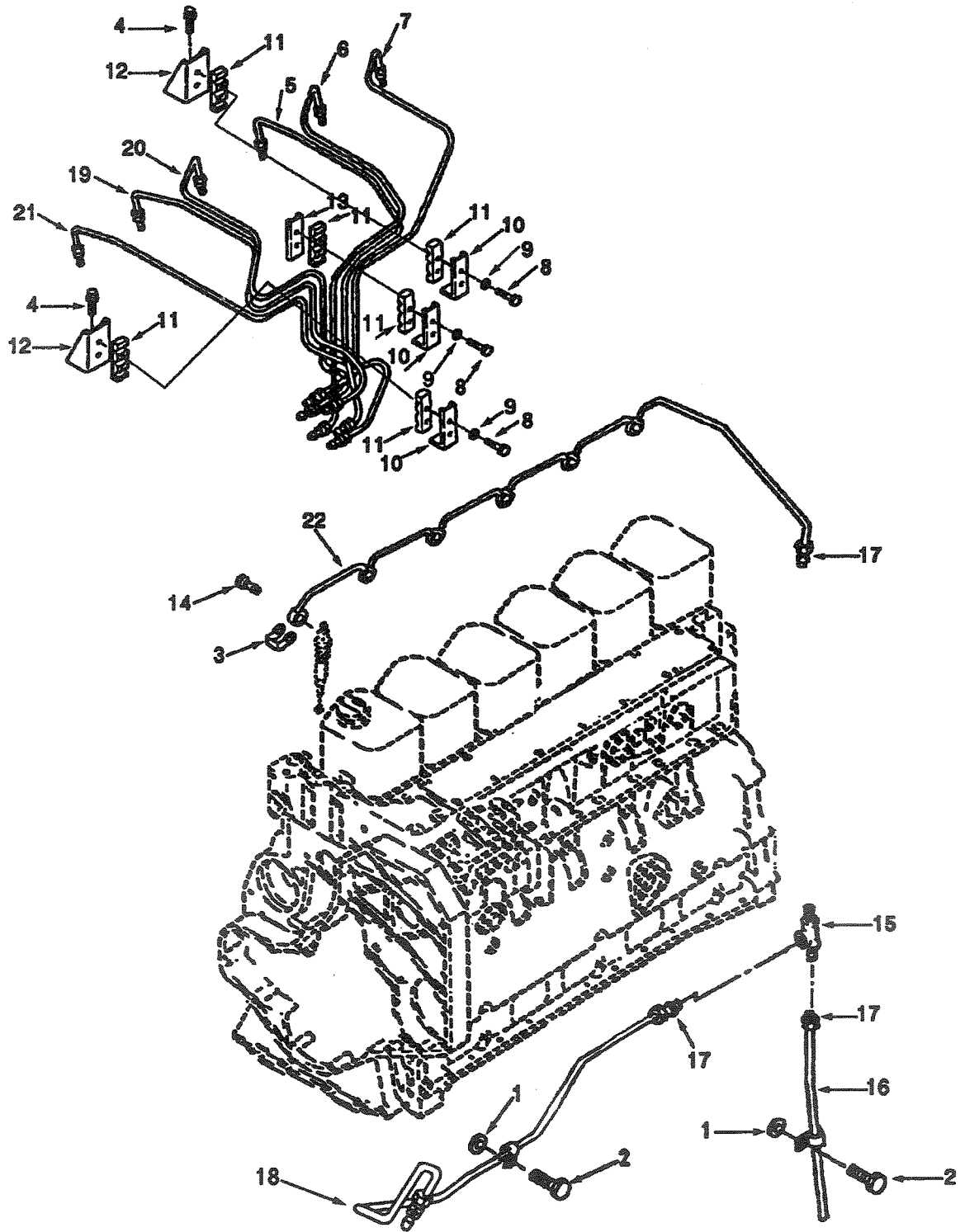
Fuel Plumbing

Ref No.	Part Number	Part Name	Req	Remarks
FUEL PLUMBING				
OPTION FT9781				
				CPL 599
				2.0 mm I.D. fuel manifold supply and drain tubing for turbocharged and aftercooled engines using Bosch VE or VP injection pump with boost control
1	3900267	Seal, O-Ring	2	
2	3900630	Screw, Hexagon Head Cap	2	M8 - 1.25 x 20mm
3	3903380	Seal, Banjo Connector	6	
4	3904341	Screw, Hexagon Head Cap	2	M8 - 1.25 x 26mm
5	3907814	Tube, Fuel Supply	1	
6	3907815	Tube, Fuel Supply	1	
7	3907816	Tube, Fuel Supply	1	
8	3903609	Screw, Hexagon Head Cap	6	M5 - .8 x 20mm
9	3903723	Washer, Plain	6	
10	3904519	Brace, Tube	3	
11	3904520	Isolator, Vibration	6	
12	3906584	Brace, Tube	2	
13	3906651	Brace, Tube	1	
14	3905307	Screw, Banjo Connector	6	
15	3905388	Tee, Male Union	1	
16	3905692	Tube, Fuel Drain	1	
17	3905391	Seal, Grommet	1	
18	3905707	Tube, Fuel Drain	1	
17	3905391	Seal, Grommet	1	
19	3907812	Tube, Fuel Supply	1	
20	3907813	Tube, Fuel Supply	1	
21	3907811	Tube, Fuel Supply	1	
22	3909696	Manifold, Fuel	1	
17	3905391	Seal, Grommet	1	
OPTION FT9786				
				CPL 938
				2.0 mm I.D. fuel manifold supply and drain tubing for naturally aspirated or turbocharged engines using Bosch VE or VP injection pump with boost control.
FT9786 same as FT9781 except:				
5	3903488	Tube, Fuel Supply	1	
6	3903489	Tube, Fuel Supply	1	
7	3903490	Tube, Fuel Supply	1	
19	3903486	Tube, Fuel Supply	1	
20	3903487	Tube, Fuel Supply	1	
21	3909438	Tube, Fuel Supply	1	



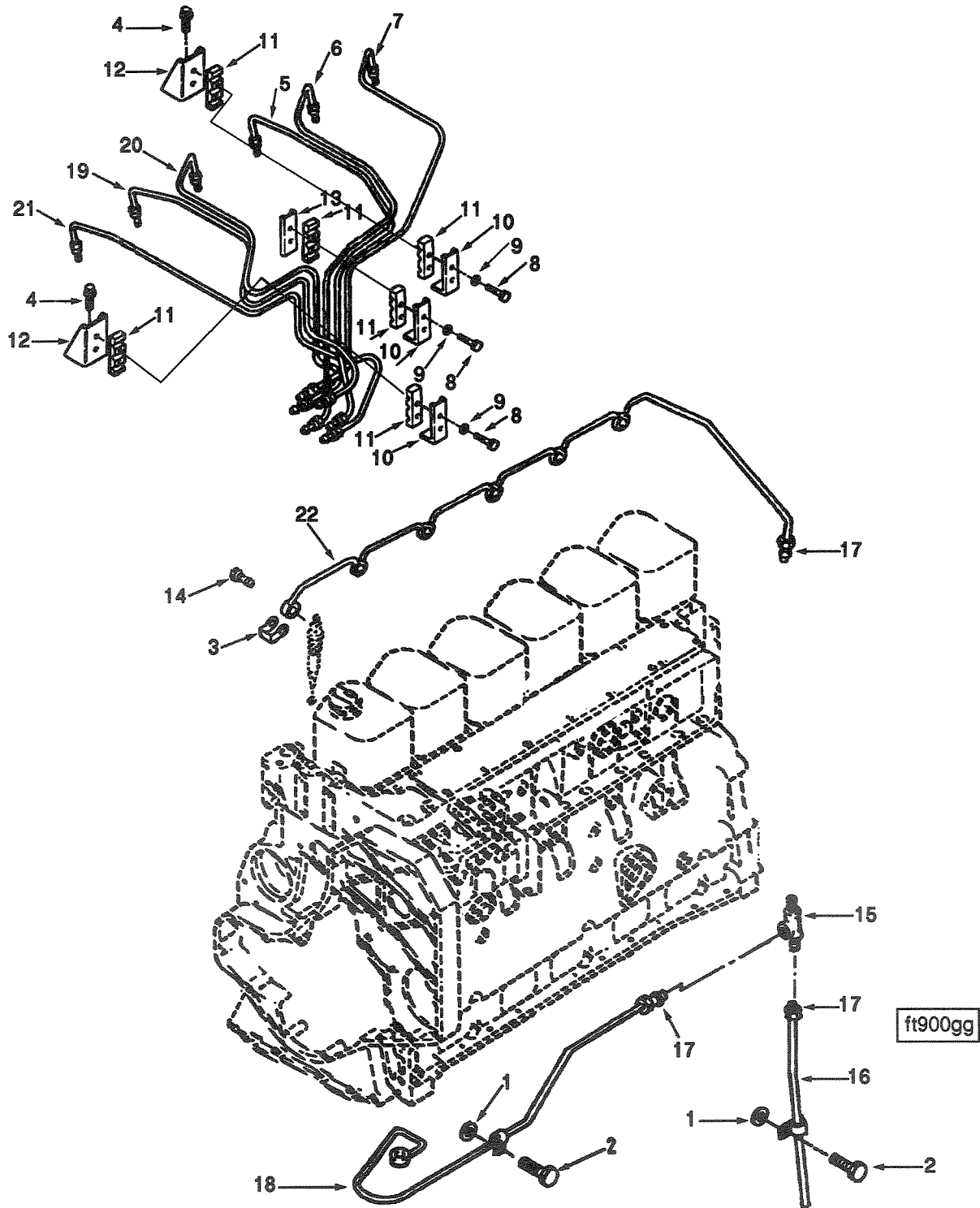
ft900gh

Ref No.	Part Number	Part Name	Req	Remarks
FUEL PLUMBING				
OPTION FT9780				
				CPL 791
				2.0 mm ID fuel manifold supply and drain tubing for naturally aspirated or turbocharged engines using CAV DPA injection pump with boost control
1	3900267	Seal, O-Ring	2	
2	3900630	Screw, Hexagon Head Cap	2	M8 - 1.25 x 20mm
3	3903380	Seal, Banjo Connector	6	
4	3904341	Screw, Hexagon Head Cap	2	M8 - 1.25 x 26mm
5	3906036	Tube, Fuel Supply	1	
6	3906037	Tube, Fuel Supply	1	
7	3906038	Tube, Fuel Supply	1	
8	3903609	Screw, Hexagon Head Cap	6	M5 - .8 x 20mm
9	3903723	Washer, Plain	6	
10	3904519	Brace, Tube	3	
11	3904520	Isolator, Vibration	6	
12	3906584	Brace, Tube	2	
13	3906651	Brace, Tube	1	
14	3905307	Screw, Banjo Connector	6	
15	3905388	Tee, Male Union	1	
16	3905692	Tube, Fuel Drain	1	
17	3905391	Seal, Grommet	1	
18	3905709	Tube, Fuel Drain	1	
17	3905391	Seal, Grommet	1	
19	3906034	Tube, Fuel Supply	1	
20	3906035	Tube, Fuel Supply	1	
21	3906033	Tube, Fuel Supply	1	
22	3909696	Manifold, Fuel	1	
17	3905391	Seal, Grommet	1	
OPTION FT9782				
				CPL 596, 714
				1.8 mm ID fuel manifold supply and drain tubing for naturally aspirated or turbocharged engines using CAV DPA injection pump without boost control.
FT9782 same as FT9780 except:				
5	3903520	Tube, Fuel Supply	1	
6	3903531	Tube, Fuel Supply	1	
7	3903532	Tube, Fuel Supply	1	
19	3903528	Tube, Fuel Supply	1	
20	3903529	Tube, Fuel Supply	1	
21	3903527	Tube, Fuel Supply	1	



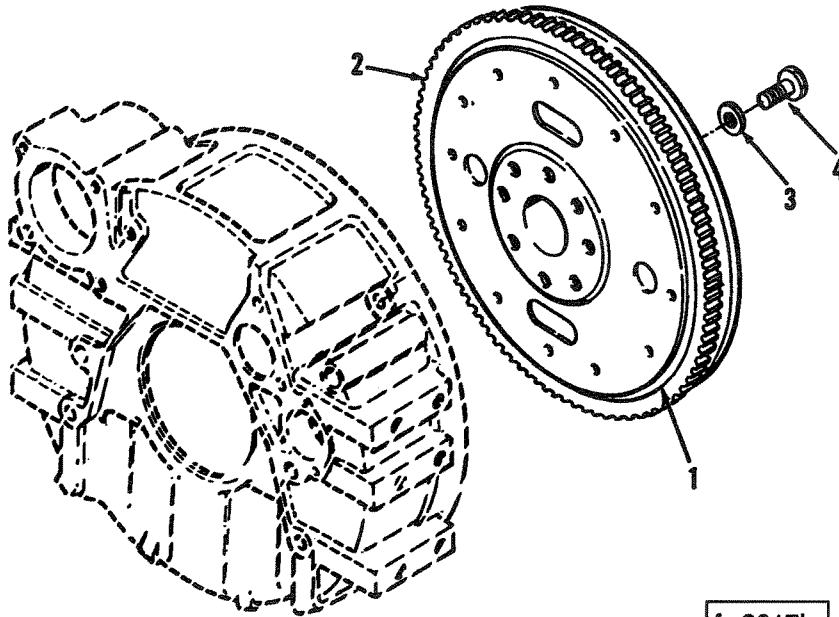
ft900gh

Ref No.	Part Number	Part Name	Req	Remarks
FUEL PLUMBING				
OPTION FT9784				
				CPL 599, 715
				2.0 mm ID fuel manifold supply and drain tubing for turbocharged and aftercooled engines using CAV DPA injection pump without boost control
1	3900267	Seal, O-Ring	2	
2	3900630	Screw, Hexagon Head Cap	2	M8 - 1.25 x 20mm
3	3903380	Seal, Banjo Connector	6	
4	3904341	Screw, Hexagon Head Cap	2	M8 - 1.25 x 26mm
5	3907272	Tube, Fuel Supply	1	
6	3907273	Tube, Fuel Supply	1	
7	3907274	Tube, Fuel Supply	1	
8	3903609	Screw, Hexagon Head Cap	6	M5 - .8 x 20mm
9	3903723	Washer, Plain	6	
10	3904519	Brace, Tube	3	
11	3904520	Isolator, Vibration	6	
12	3906584	Brace, Tube	2	
13	3906651	Brace, Tube	1	
14	3905307	Screw, Banjo Connector	6	
15	3905388	Tee, Male Union	1	
16	3905692	Tube, Fuel Drain	1	
17	3905391	Seal, Grommet	1	
18	3905709	Tube, Fuel Drain	1	
17	3905391	Seal, Grommet	1	
19	3907276	Tube, Fuel Supply	1	
20	3907277	Tube, Fuel Supply	1	
21	3907275	Tube, Fuel Supply	1	
22	3909696	Manifold, Fuel	1	
17	3905391	Seal, Grommet	1	



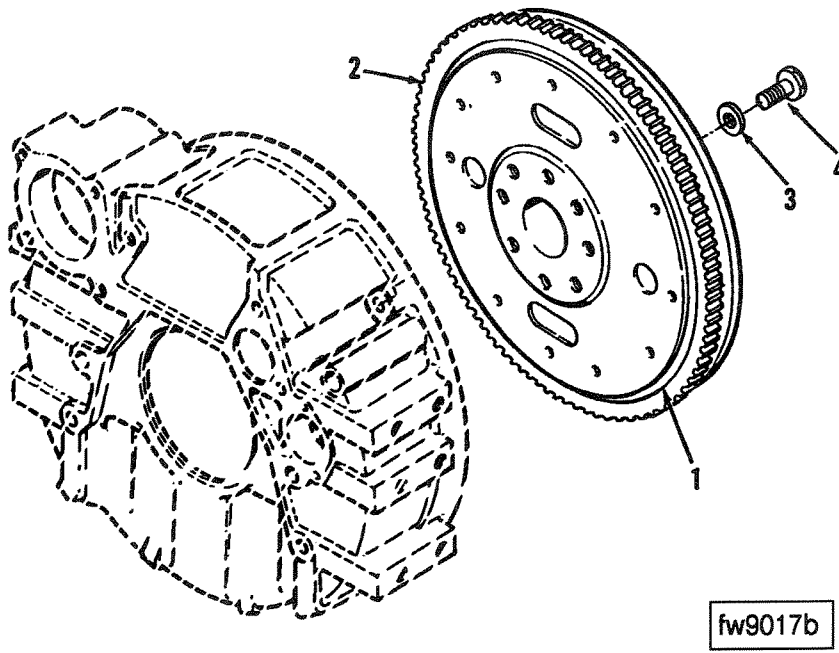
Fuel Plumbing

Ref No.	Part Number	Part Name	Req	Remarks
		FUEL PLUMBING		CPL 728, 938, 943
		OPTION FT9783		2.0 mm I.D. fuel manifold supply and drain tubing for turbocharged and aftercooled engines using Bosch VE or VP injection pump without boost control
1	3900267	Seal, O-Ring	2	
2	3900629	Screw, Hexagon Head Cap	2	M8 - 1.25 x 16mm
3	3903380	Seal, Banjo Connector	6	
4	3904341	Screw, Hexagon Head Cap	2	M8 - 1.25 x 26mm
5	3907814	Tube, Fuel Supply	1	
6	3907815	Tube, Fuel Supply	1	
7	3907816	Tube, Fuel Supply	1	
8	3903609	Screw, Hexagon Head Cap	6	M5 - .8 x 20mm
9	3903723	Washer, Plain	6	
10	3904519	Brace, Tube	3	
11	3904520	Isolator, Vibration	6	
12	3906584	Brace, Tube	2	
13	3906651	Brace, Tube	1	
14	3905307	Screw, Banjo Connector	6	
15	3905388	Tee, Male Union	1	
16	3905692	Tube, Fuel Drain	1	
17	3905391	Seal, Grommet	1	
18	3905705	Tube, Fuel Drain	1	
17	3905391	Seal, Grommet	1	
19	3907812	Tube, Fuel Supply	1	
20	3907813	Tube, Fuel Supply	1	
21	3907811	Tube, Fuel Supply	1	
22	3909696	Manifold, Fuel	1	
17	3905391	Seal, Grommet	1	
		OPTION FT9785		CPL 728, 938, 943
				2.0 mm I.D. fuel manifold supply and drain tubing for naturally aspirated or turbocharged engines using Bosch VE or VP injection pump with boost control
		FT9785 same as FT9783 except:		
5	3903488	Tube, Fuel Supply	1	
6	3903489	Tube, Fuel Supply	1	
7	3903490	Tube, Fuel Supply	1	
19	3903486	Tube, Fuel Supply	1	
20	3903487	Tube, Fuel Supply	1	
21	3909438	Tube, Fuel Supply	1	

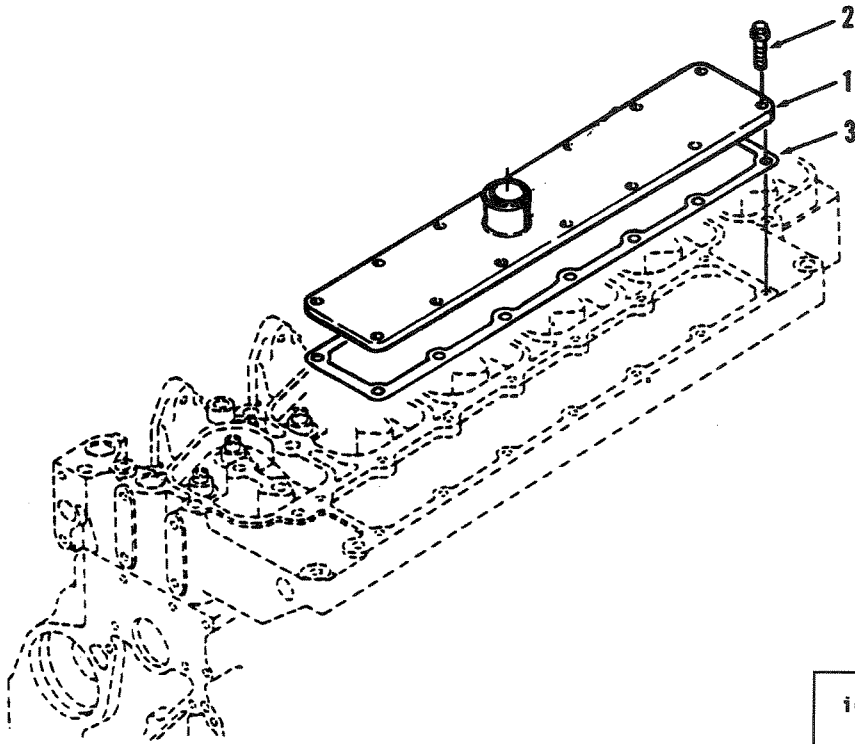


fw9017b

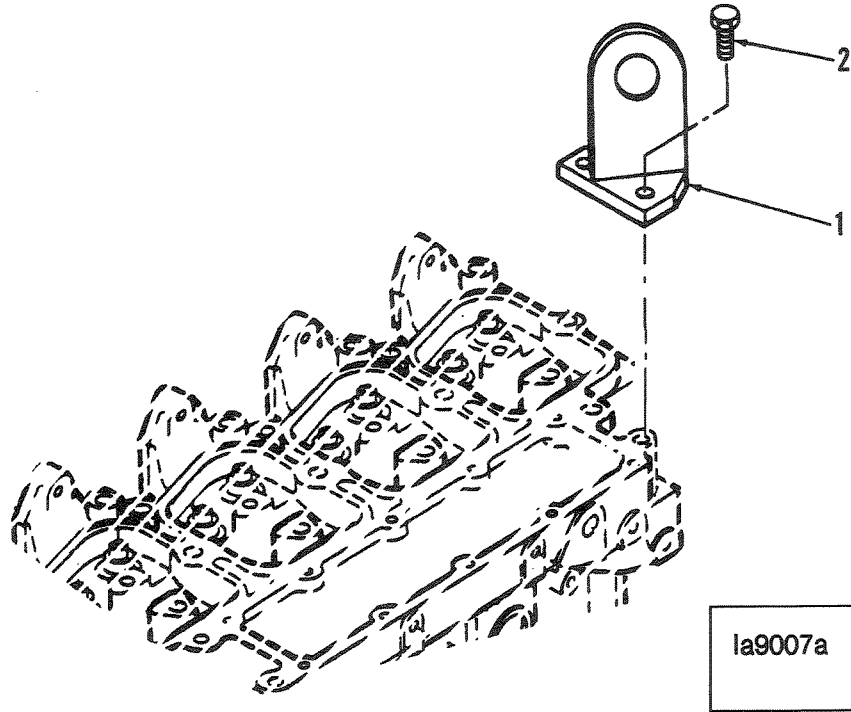
Ref No.	Part Number	Part Name	Req	Remarks
FLYWHEEL				
OPTION FW9004				
				Flywheel for 10" and 11 1/2" over center clutch. For use with SAE# 3 flywheel housing
1	3911223 (3911221)	Flywheel	1	
2	3901774	Gear, Flywheel Ring	1	
3	3900269	Washer, Plain	8	
4	3901395	Screw, Hexagon Head Cap	8	M12 - 1.25 x 32mm
OPTION FW9017				
Same as FW9004 except:				
1	3905831 (3905616)	Flywheel	1	
		Flywheel	1	



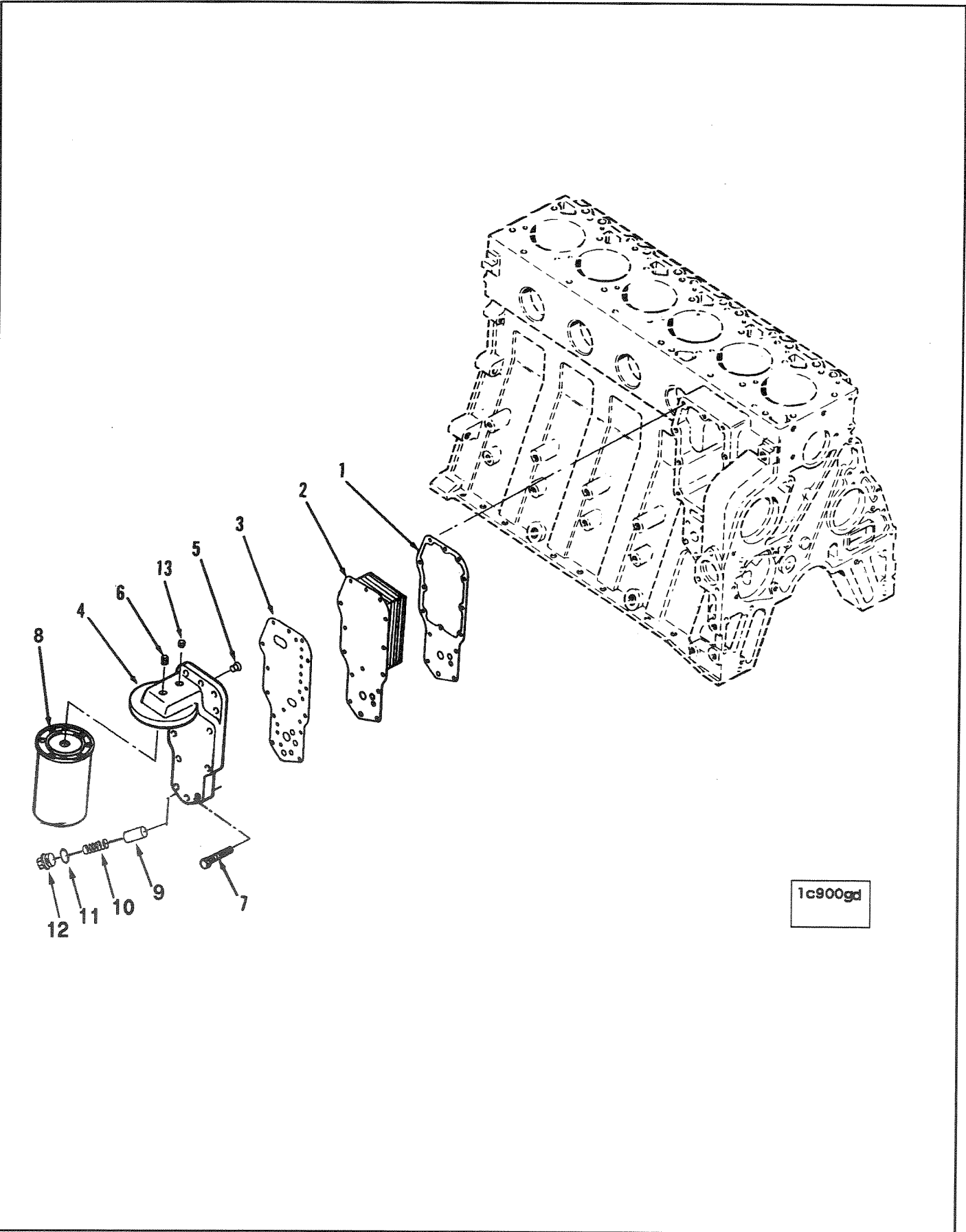
Ref No.	Part Number	Part Name	Req	Remarks
FLYWHEEL				
OPTION FW9100				
				Flywheel for 14" single plate clutch used with SAE# 3 flywheel housing.
1	3911425 (3911424)	Flywheel	1	
2	3901774	Gear, Flywheel Ring	1	
3	3900269	Washer, Plain	8	
4	3901395	Screw, Hexagon Head Cap	8	M12 - 1.25 x 32mm



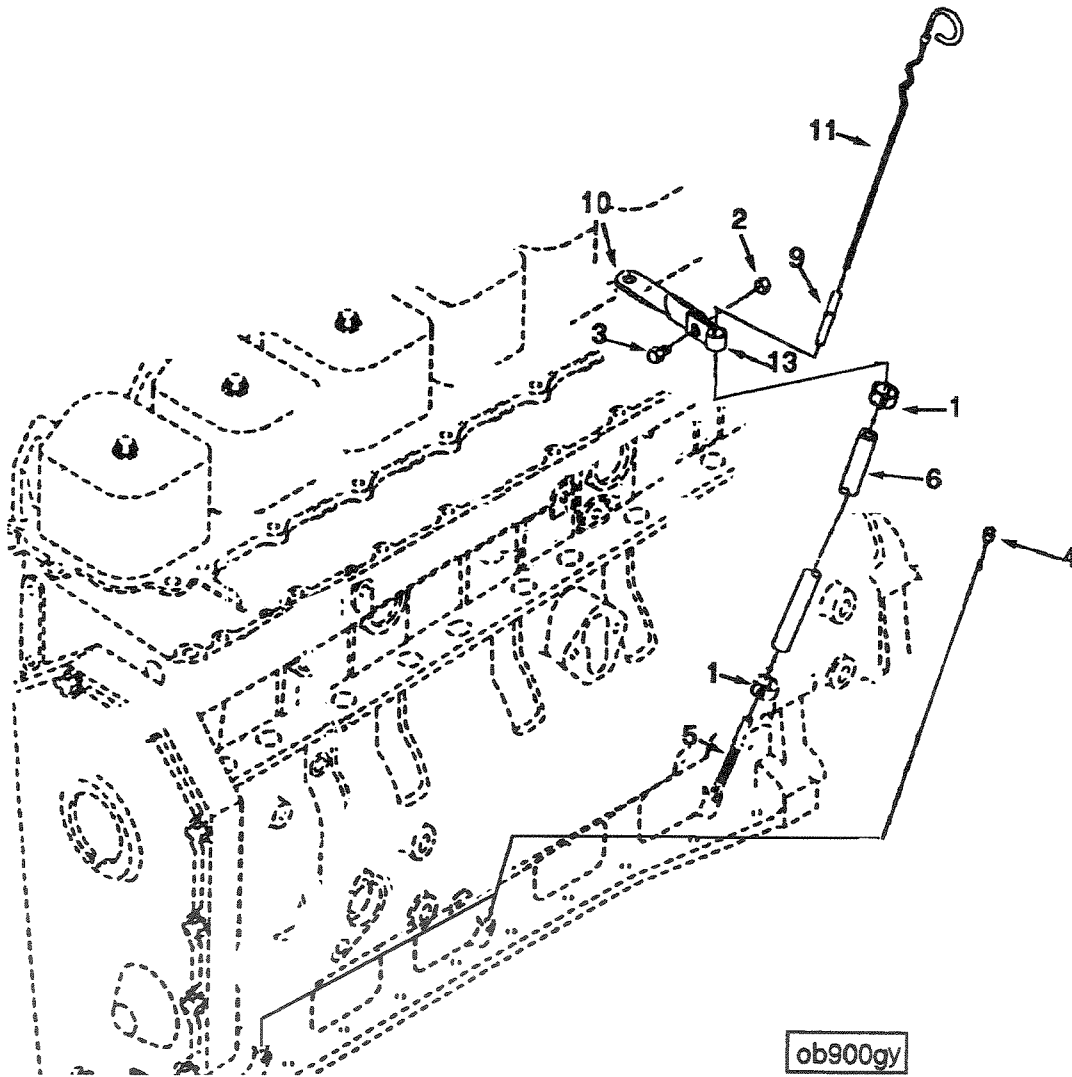
Ref No.	Part Number	Part Name	Req	Remarks
INTAKE MANIFOLD COVER				
OPTION IC9702				
1	3908084	Cover, Intake Manifold	1	76.2mm dia. air intake connection. Front and up orientation, no provision for air heater installation. For 6 cylinder naturally aspirated.
OPTION IC9002				
2	3904341	Screw, Hexagon Head Cap	12	76.2mm dia air intake connection located on top side of engine
3	3902002	Gasket, Int Manifold Cover	1	



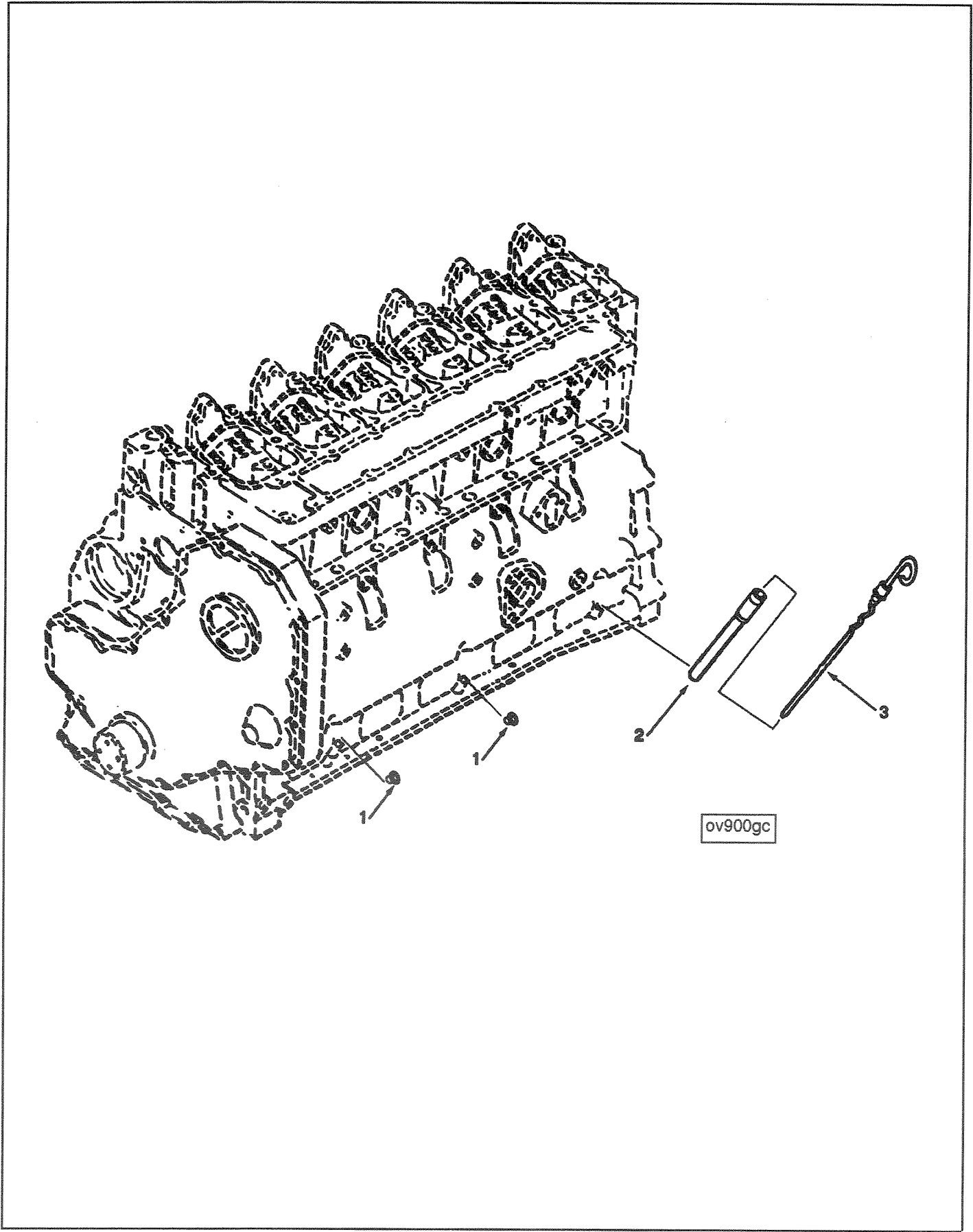
Ref No.	Part Number	Part Name	Req	Remarks
		LIFTING BRACKET		
		OPTION LA9007		
1	3908118	Bracket, Lifting	1	Rear engine lifting arrangement. Front lifting is provided with thermostat housing option.
2	3903200	Screw, Hexagon Head Cap	2	



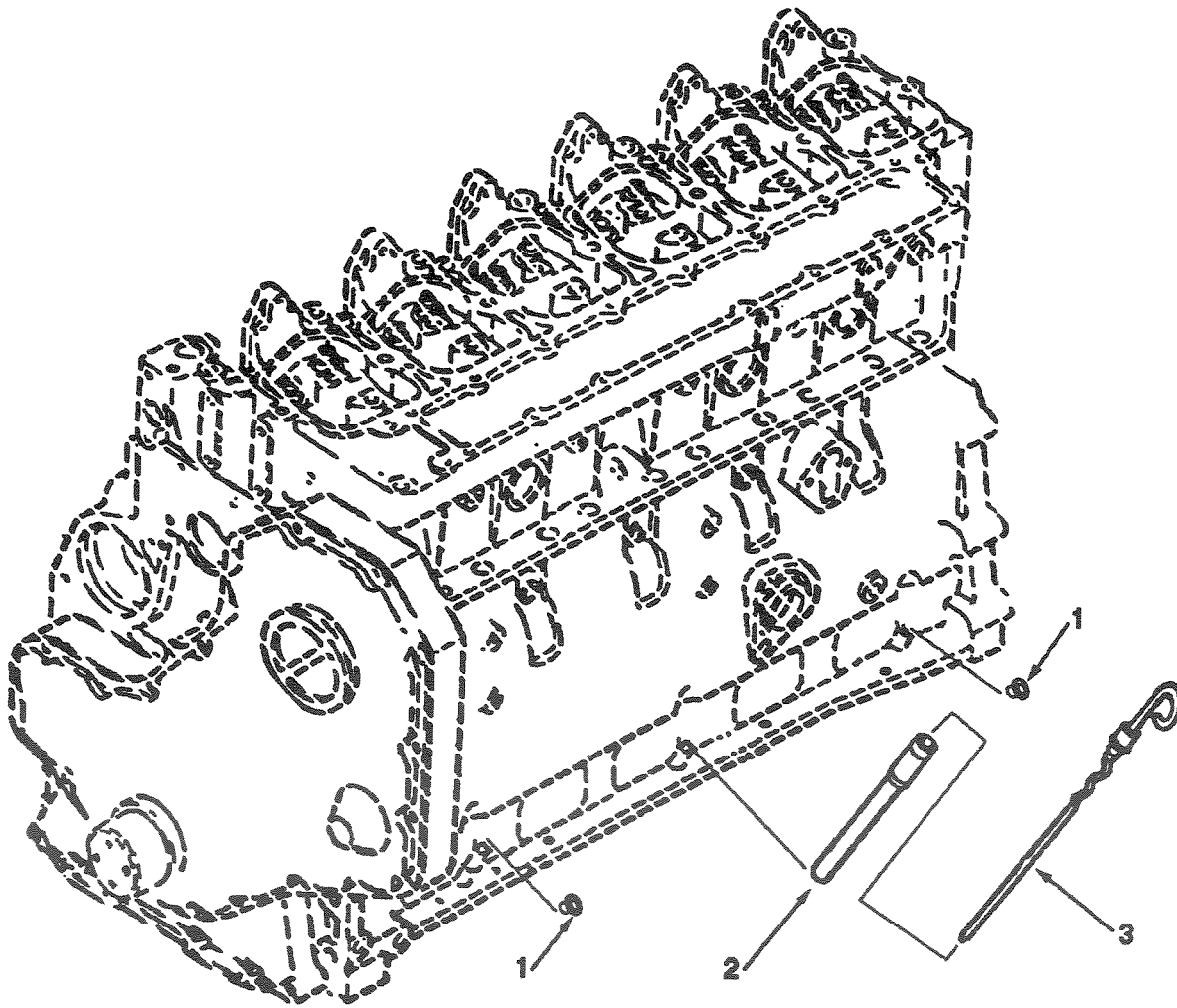
Ref No.	Part Number	Part Name	Req	Remarks
LUBRICATING OIL COOLER				
OPTION LC9003				
1	3904427	Gasket, Oil Cooler Core	1	
2	3911940	Core, Cooler	1	
3	3912638	Gasket, Filter Head	1	
4	3902295	Head, Lube Oil Filter	1	
5	3902338	Valve, Pressure Relief	1	
6	3906619	Plug, Pipe	1	1/8 - 27 NPT
7	3900632	Screw, Hexagon Head Cap	14	M8-1.25 x 35mm
8	3908615	Cartridge, Lube Oil Filter	1	
9	3909376	Plunger, Prs Regulator	1	
10	3903261	Spring, Compression	1	
11	3902425	Washer, Sealing	1	
12	3904386	Plug, Threaded	1	M22-1.5 x 14mm
13	195265	Plug, Pipe	1	1/4 - 18 NPT
OPTION LC9004				
		Same as LC9003 except omit:		
13	195265	Plug, Pipe	1	Not used in turbocharged engines



Ref No.	Part Number	Part Name	Req	Remarks
OIL LEVEL GAUGE				
OPTION LG9022				
				986mm oil gauge tube with 65mm dipstick handle located on fuel pump side of engine
1	3909395	Clamp, Spring	2	
2	3900240	Nut, Regular Hexagon	1	
3	3900629	Screw, Hexagon Head Cap	1	
4	3900955	Plug, Expansion	2	
5	3905802	End, Oil Gauge	1	
6	3905801	Tube, Oil Gauge	1	
9	3905425	Tube, Oil Gauge	1	
10	3905803	Brace, Tube	1	
11	3907681	Dipstick	1	
13	108722	Clip	1	

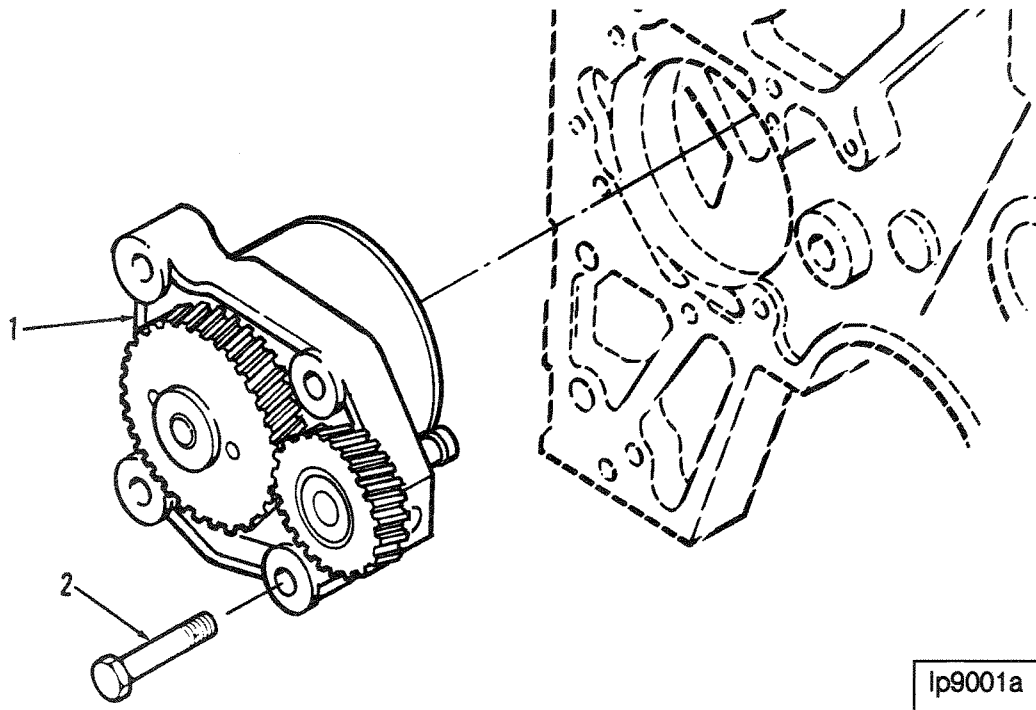


Ref No.	Part Number	Part Name	Req	Remarks
<p>OIL LEVEL GAUGE</p> <p>OPTION LG9058</p>				
1	3900955	Plug, Expansion	2	65mm straight tube 648mm FFOB on fuel pump side of engine. Power angle 0 degree for rear sump oil pan. 65mm handle length.
2	3905425	Tube, Oil Gauge	1	
3	3905786	Dipstick	1	

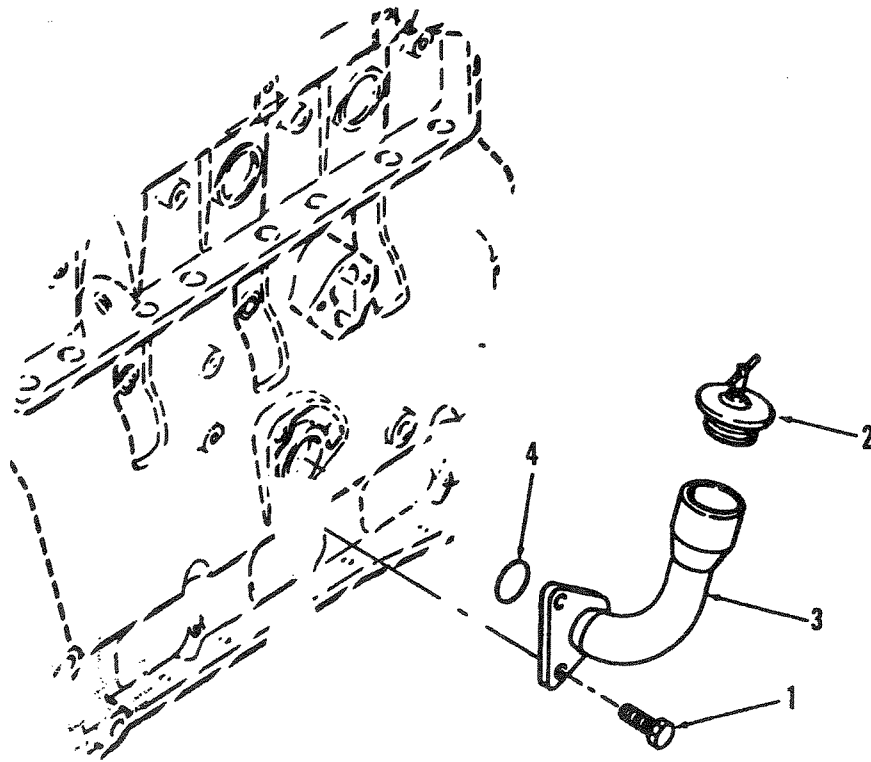


ov900gb

Ref No.	Part Number	Part Name	Req	Remarks
		OIL LEVEL GAUGE OPTION LG9107		
1	3900955	Plug, Expansion	2	65mm straight tube, center location, rear sump pan, fuel pump side of engine
2	3905425	Tube, Oil Gauge	1	
3	3905786	Dipstick	1	

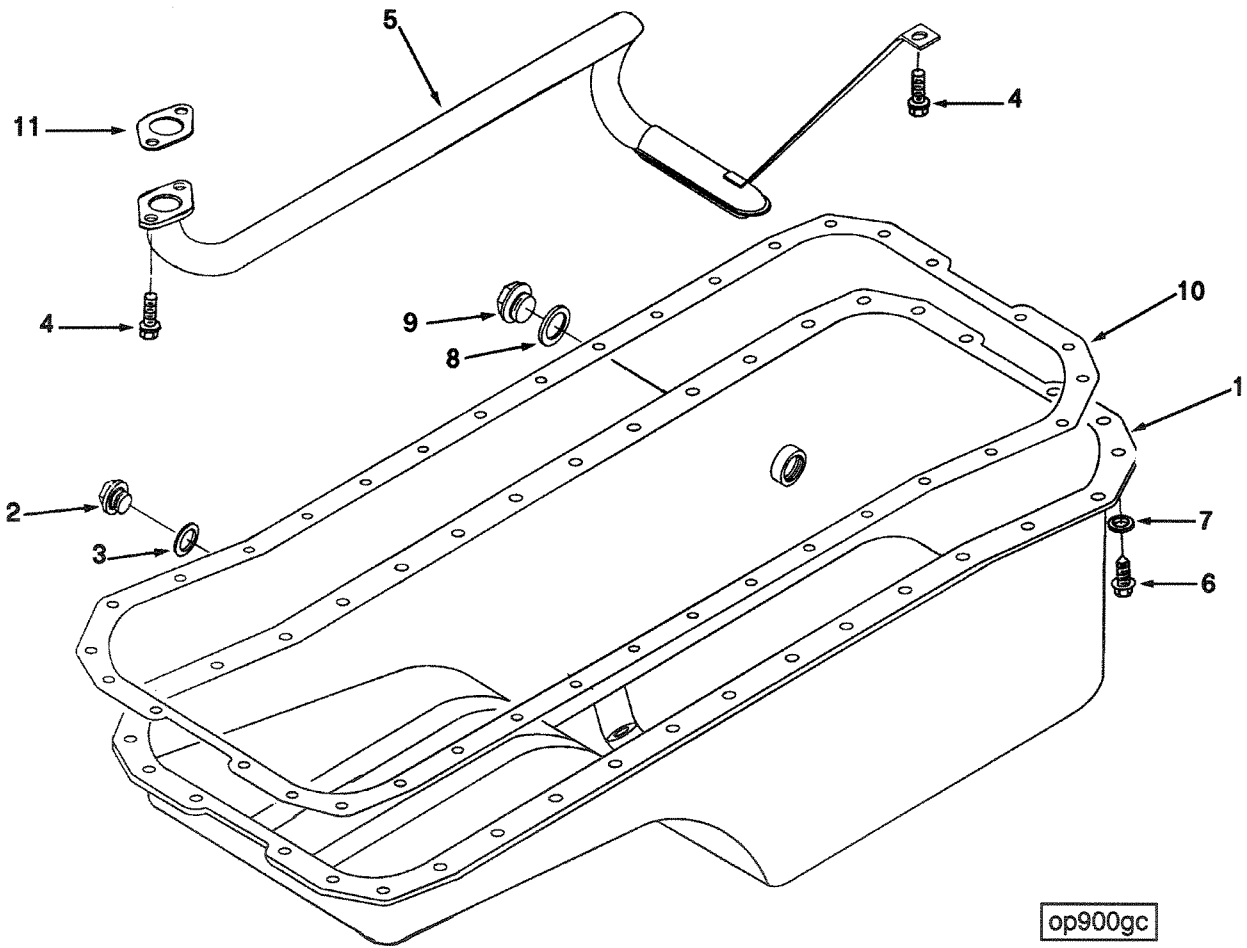


Ref No.	Part Number	Part Name	Req	Remarks
LUBRICATING OIL PUMP				
OPTION LP9002				
1	3906414	Pump, Lubricating Oil	1	
2	3900677	Screw, Hexagon Head Cap	4	M8 -1.25 x 30mm

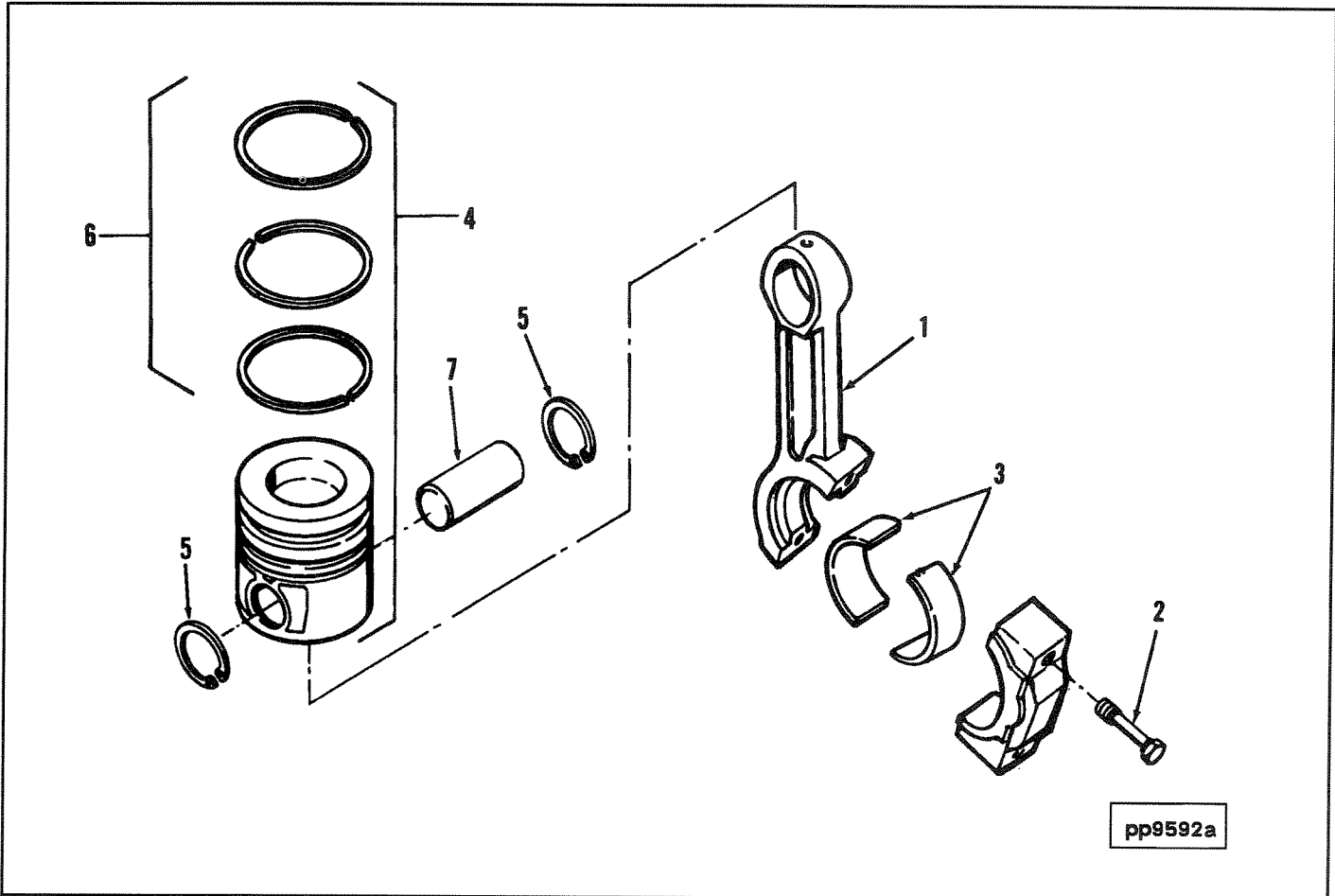


ob900b

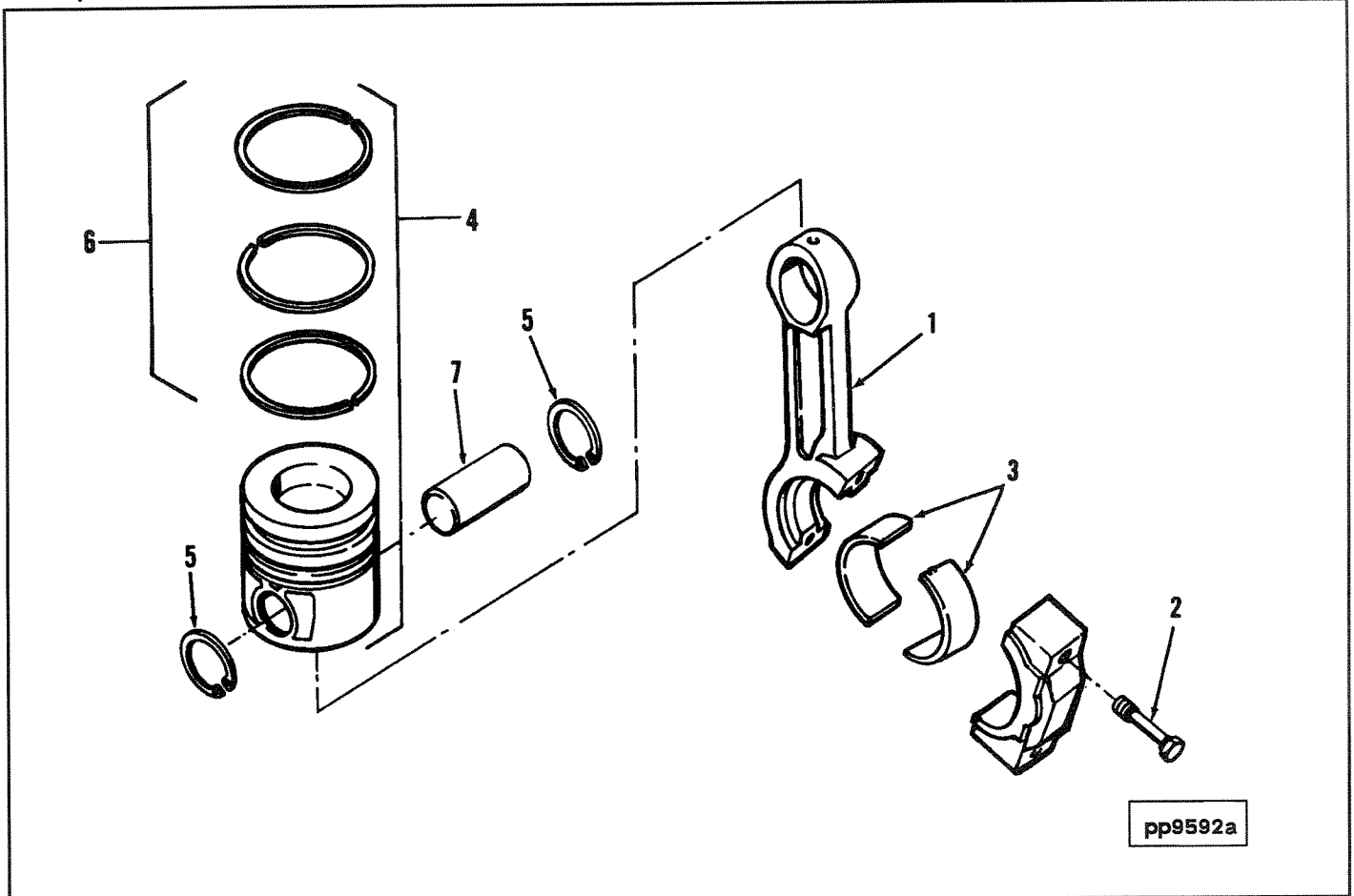
Ref No.	Part Number	Part Name	Req	Remarks
		CYLINDER BLOCK COVER		
		OPTION OB9701		
1	3901249	Screw, Hexagon Head Cap	2	Mounting hardware for cylinder block cover for use with side oil fill and no air compressor
		OPTION OB9005		
2	101322	Cap, Filler	1	Oil fill tube located on left hand side of block 252.6mm from FFOB
3	3905440	Tube, Oil Filler	1	
4	3906696	Seal, Rectangular Ring	1	



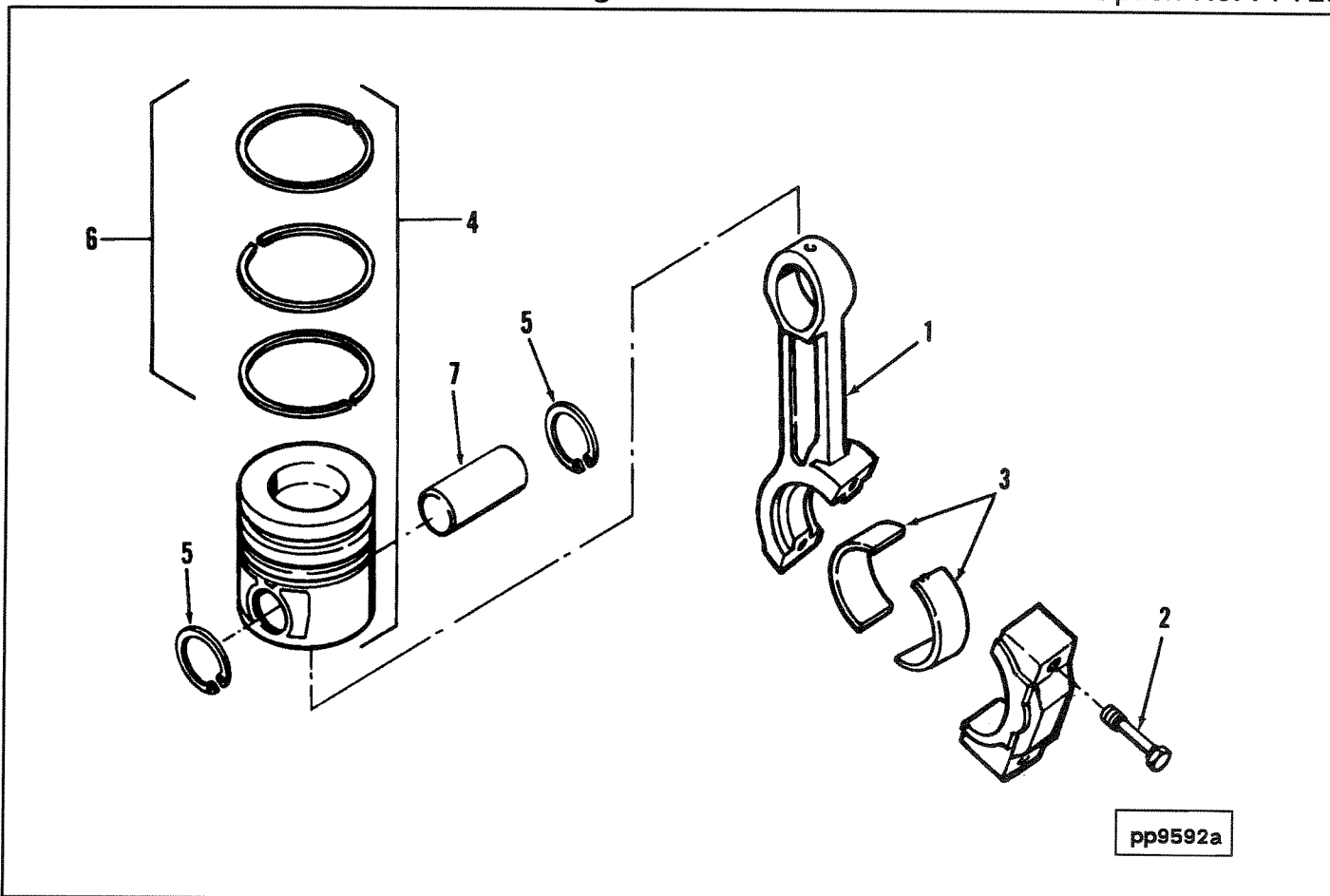
Ref No.	Part Number	Part Name	Req	Remarks
		OIL PAN		
		OPTION OP9006		
				Shallow rear sump oil pan 22-1.5 hole for immersion heater. Capacity level: high, 15 quarts - low, 12 quarts. Angularity limit is about 40 deg. all directions.
1	3901288	Pan, Oil	1	
2	3900215	Plug, Threaded	1	
3	3900216	Washer, Sealing	1	
4	3900629	Screw, Hexagon Head Cap	3	M8 - 1.25 x 16mm
5	3909374	Tube, Lub Oil Suction	1	
6	3907860	Screw, Hexagon Head Cap	36	M8 - 1.25 x 20mm
7	3907537	Washer, Spring	36	
8	3902425	Washer, Sealing	1	
9	3904386	Plug, Threaded	1	
10	3911536	Gasket, Oil Pan	1	
11	3905468	Gasket, Flange	1	



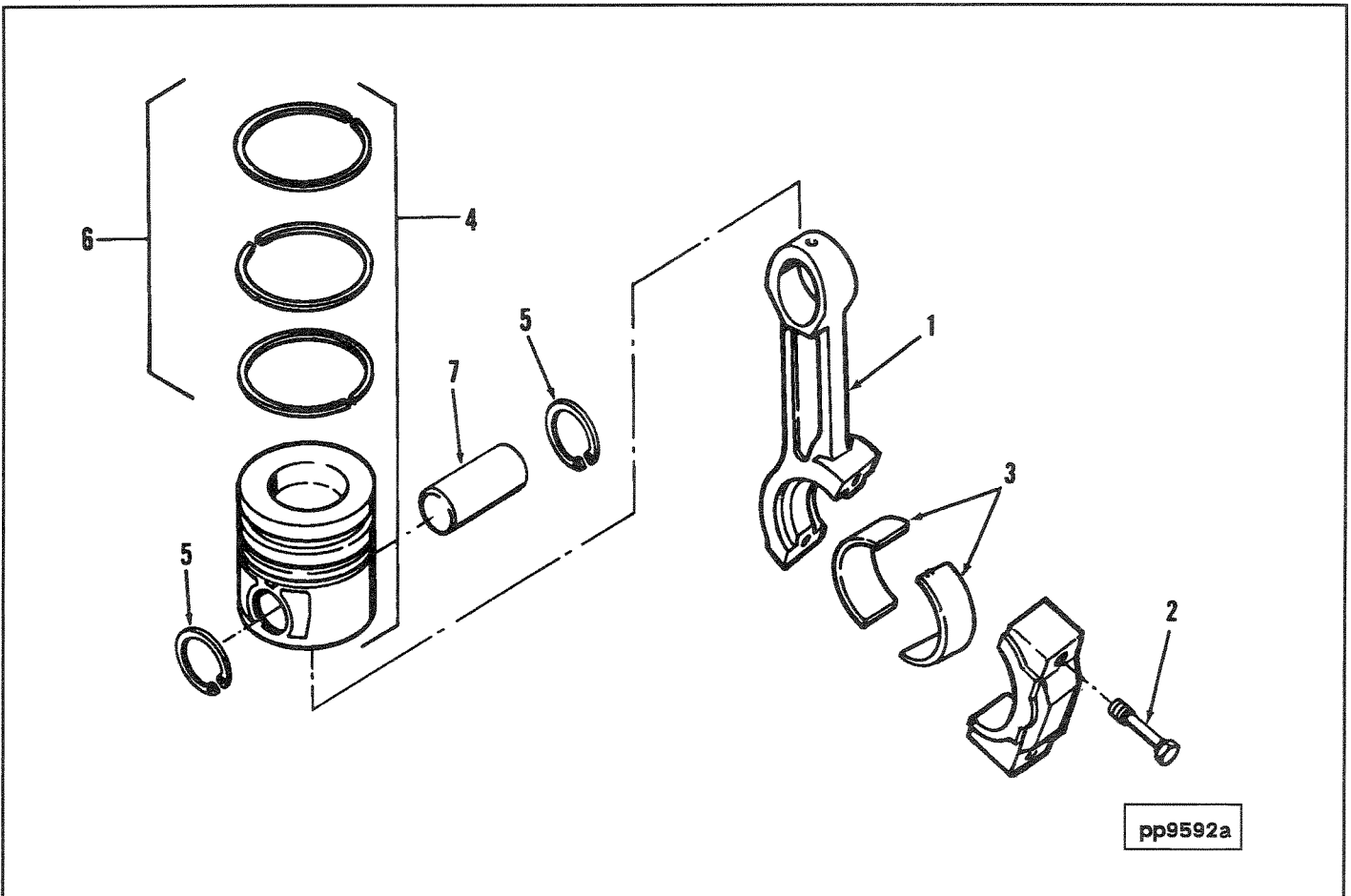
Ref No.	Part Number	Part Name	Req	Remarks
CONNECTING ROD AND PISTON				
OPTION PP599, 715, 998				
				CPL 599, 715, 998
1	3901569 (3901567)	Rod, Engine Connecting	6	
2	3900919	Screw, Connecting Rod Cap	12	MJ11-1.25 x 59mm
3	3901170	Bearing, Con Rod	12	Standard
4	3802100 (3907156)	Kit, Engine Piston	6	
5	3901706	Piston, Engine	6	
5	3901706	Ring, Retaining	12	
6	3802050	Set, Piston Ring	6	Standard
7	3901793	Pin, Piston	6	
3	3901171	Bearing, Con Rod		.25 mm Undersize
3	3901172	Bearing, Con Rod		.50 mm Undersize
3	3901173	Bearing, Con Rod		.75 mm Undersize
3	3901174	Bearing, Con Rod		1.00 mm Undersize
4	3802102 (3907157)	Kit, Engine Piston	6	.5mm Oversize
		Piston, Engine	6	.5mm Oversize
5	3901706	Ring, Retaining	12	
6	3802052	Set, Piston Ring	6	.5mm Oversize
4	3802104 (3907158)	Kit, Engine Piston	6	1.0mm Oversize
		Piston, Engine	6	1.0mm Oversize
5	3901706	Ring, Retaining	12	
6	3802054	Set, Piston Ring	6	1.0mm Oversize



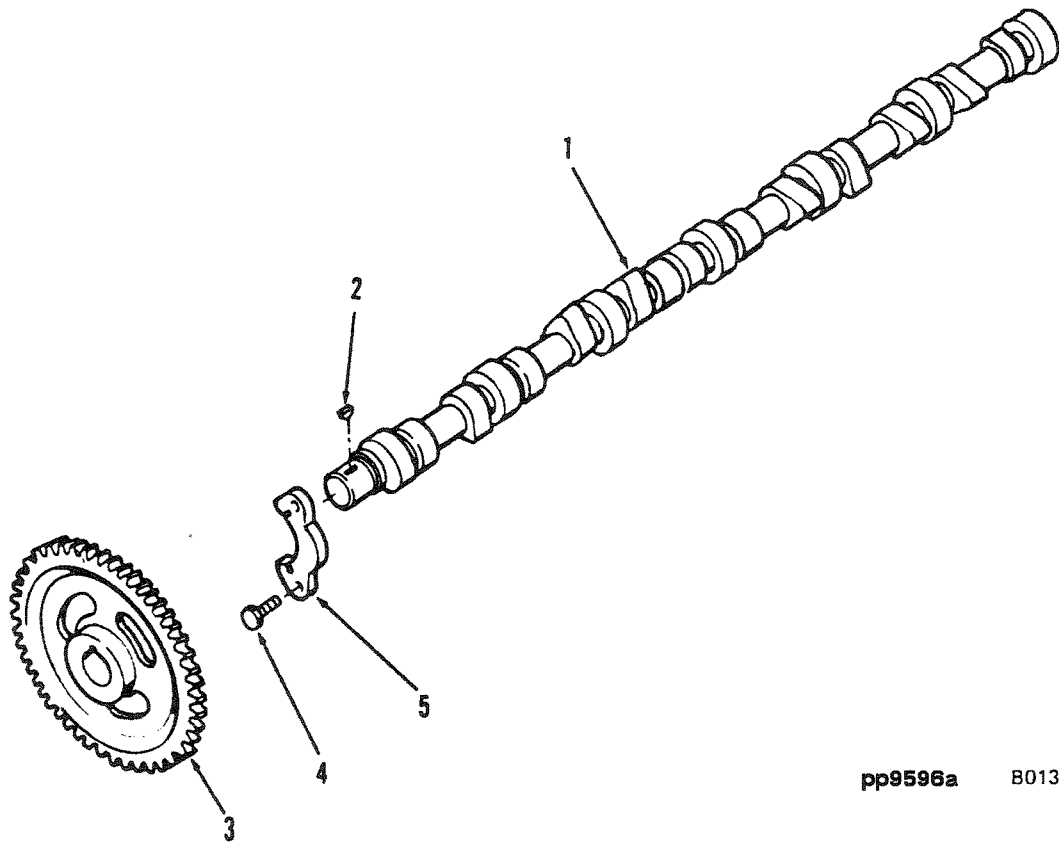
Ref No.	Part Number	Part Name	Req	Remarks
		CONNECTING ROD AND PISTON		
		OPTION PP596,714,791,845		
				CPL 596, 714, 791, 845
1	3901569 (3901567)	Rod, Engine Connecting	6	
2	3900919	Screw, Connecting Rod Cap	6	
3	3901170	Bearing, Con Rod	12	MJ11-1.25 x 59mm
4	3802060 (3906223)	Kit, Engine Piston	12	Standard
5	3901706	Piston, Engine	6	
6	3802040	Ring, Retaining	6	Standard
7	3901793	Set, Piston Ring	6	
3	3901171	Pin, Piston	6	.25 mm Undersize
3	3901172	Bearing, Con Rod	6	.50 mm Undersize
3	3901173	Bearing, Con Rod	6	.75 mm Undersize
3	3901174	Bearing, Con Rod	6	1.00 mm Undersize
4	3802062 (3906209)	Kit, Engine Piston	6	.5mm Oversize
5	3901706	Piston, Engine	6	.5mm Oversize
6	3802042	Ring, Retaining	12	
		Set, Piston Ring	6	.5mm Oversize
4	3802064 (3906208)	Kit, Engine Piston	6	1.0mm Oversize
5	3901706	Piston, Engine	6	1.0mm Oversize
6	3802044	Ring, Retaining	12	
		Set, Piston Ring	6	1.0mm Oversize



Ref No.	Part Number	Part Name	Req	Remarks
CONNECTING ROD AND PISTON				
OPTION PP728				
1	3901569 (3901567)	Rod, Engine Connecting	6	CPL 728
2	3900919	Screw, Connecting Rod Cap	12	MJ11-1.25 x 59mm
3	3901170	Bearing, Con Rod	12	Standard
4	3802090 (3903582)	Kit, Engine Piston	6	
5	3901706	Piston, Engine	6	
6	3802050	Ring, Retaining	12	
7	3901793	Set, Piston Ring	6	Standard
3	3901171	Pin, Piston	6	.25 mm Undersize
3	3901172			.50 mm Undersize
3	3901173			.75 mm Undersize
3	3901174			1.00 mm Undersize
4	3802092 (3908035)	Kit, Engine Piston	6	.5mm Oversize
5	3901706	Piston, Engine	6	.5mm Oversize
6	3802052	Ring, Retaining	12	
6		Set, Piston Ring	6	.5mm Oversize
4	3802094 (3908036)	Kit, Engine Piston	6	1.0mm Oversize
5	3901706	Piston, Engine	6	1.0mm Oversize
6	3802054	Ring, Retaining	12	
6		Set, Piston Ring	6	1.0mm Oversize

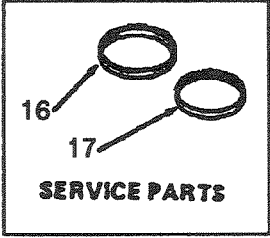
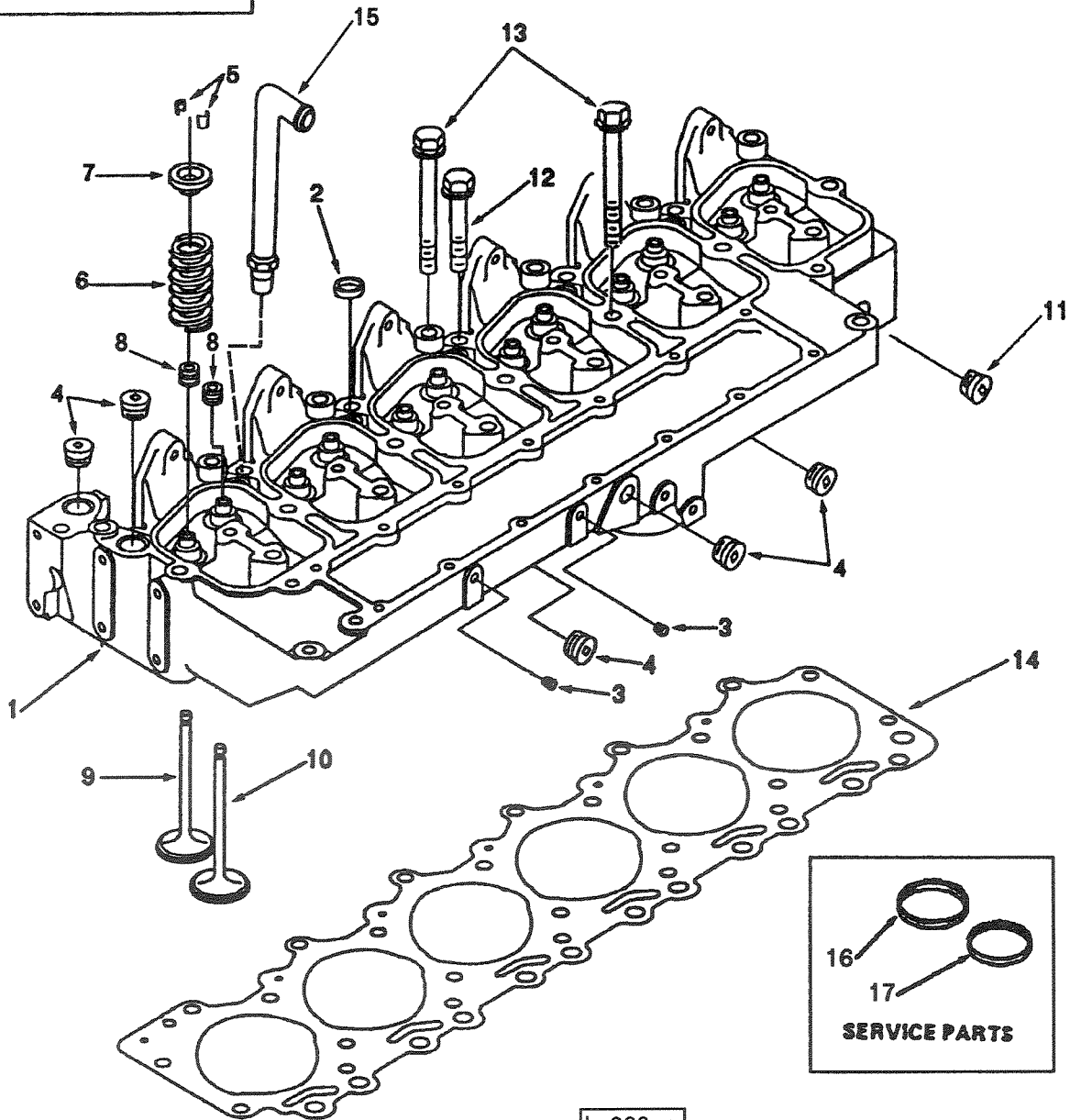
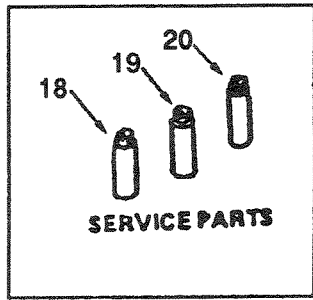


Ref No.	Part Number	Part Name	Req	Remarks
CONNECTING ROD AND PISTON				
OPTION PP729, 761, 938, 943, 949, 950				
1	3901569 (3901567)	Rod, Engine Connecting	6	CPL 729, 761, 938, 943, 949, 950
2	3900919	Screw, Connecting Rod Cap	6	
3	3901170	Bearing, Con Rod	12	MJ11-1.25 x 59mm
4	3802160 (3907163)	Kit, Engine Piston	12	Standard
5	3901706	Piston, Engine	6	
6	3802050	Ring, Retaining	12	
7	3901793	Set, Piston Ring	6	Standard
		Pin, Piston	6	
3	3901171	Bearing, Con Rod		.25 mm Undersize
3	3901172	Bearing, Con Rod		.50 mm Undersize
3	3901173	Bearing, Con Rod		.75 mm Undersize
3	3901174	Bearing, Con Rod		1.00 mm Undersize
4	3802132 (3908815)	Kit, Engine Piston	6	.5mm Oversize
5	3901706	Piston, Engine	6	.5mm Oversize
6	3802052	Ring, Retaining	12	
		Set, Piston Ring	6	.5mm Oversize
4	3802134 (3908816)	Kit, Engine Piston	6	1.0mm Oversize
5	3901706	Piston, Engine	6	1.0mm Oversize
6	3802054	Ring, Retaining	12	
		Set, Piston Ring	6	1.0mm Oversize



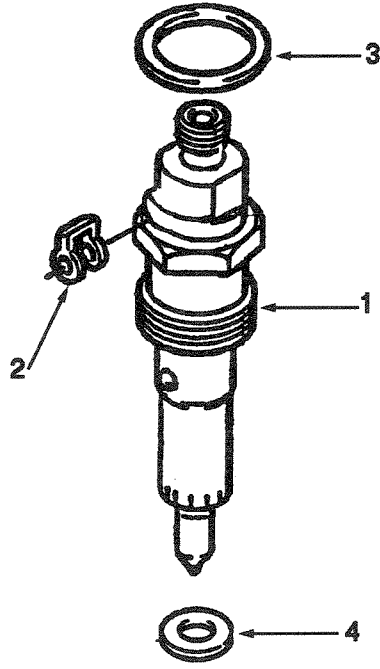
pp9596a B01345

Ref No.	Part Number	Part Name	Req	Remarks
		CAMSHAFT		
1	3907824	Camshaft	1	All CPL's
2	3902332	Key, Plain Woodruff	1	4.0mm
3	3907431	Gear, Camshaft	1	
4	3900620	Screw, Hexagon Head Cap	2	M8 - 1.25 x 20mm
5	3901761	Support, Camshaft Thrust	1	



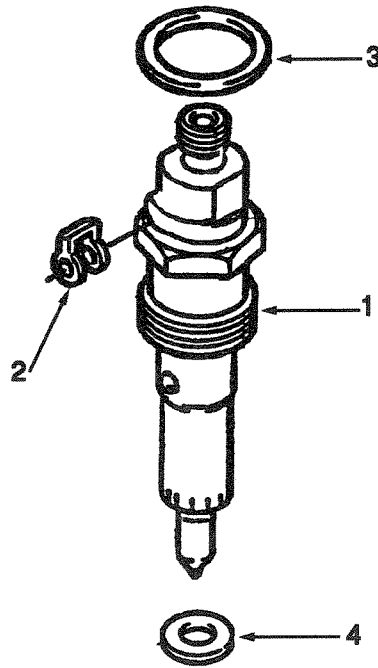
kn900gg

Ref No.	Part Number	Part Name	Req	Remarks
CYLINDER HEAD				
				All CPL's
	3910276	Head, Cylinder	1	
1	(3909974)	Head, Cylinder	1	
2	3902606	Plug, Expansion	5	
3	3008465	Plug, Pipe	2	
4	3008468	Plug, Pipe	5	
	3802005	Kit, Intake Valve	6	
5	3900250	Collet, Valve	12	
9	(3901117)	Valve, Intake	6	
	3802006	Kit, Exhaust Valve	6	
5	3900250	Collet, Valve	12	
10	(3901607)	Valve, Exhaust	6	
6	3900276	Spring, Valve	12	
7	3900299	Retainer, Valve Spring	12	
8	3901097	Seal, Valve Stem	12	
11	3008469	Plug, Pipe	1	
12	3903938	Screw, Hexagon Head Cap	6	M12 - 1.75 x 70mm
13	3903939	Screw, Hexagon Head Cap	14	M12 - 1.75 x 120mm
14	3907057	Gasket, Cylinder Head	1	Standard
15	3905639	Tube, Aftercooler	1	Not required on naturally aspirated or turbocharged engines
14	3907058	Gasket, Cylinder Head	A/R	.15mm Oversize
14	3907059	Gasket, Cylinder Head	A/R	.50mm Oversize
SERVICE PARTS				
16	3904105	Insert, Valve		Exhaust
17	3906854	Insert, Valve		Intake
18	3904408	Guide, Valve Stem		Thick Wall 60.50mm Long Intake
19	3904409	Guide, Valve Stem		Thick Wall 51.75mm Long Exhaust
20	3906206	Guide, Valve Stem		Thin Wall can be used on both intake and exhaust.



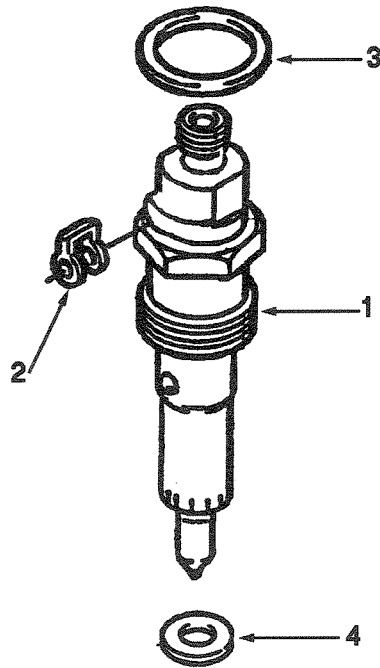
fi900ge

Ref No.	Part Number	Part Name	Req	Remarks
BOSCH INJECTOR				
OPTION PP596, PP715				
				CPL 596, 715
1	3802009 (3909475)	Kit, Injector Bosch	6	
2	3903380	Injector, Bosch	6	
3	3909356	Seal, Banjo Connector	6	
4	3900808	Seal, Rectangular Ring	6	
		Seal, Injector	6	
OPTION PP599, PP728				
				CPL 599, 728
1	3802039 (3909464)	Kit, Injector Bosch	6	
2	3903380	Injector, Bosch	6	
3	3909356	Seal, Banjo Connector	6	
4	3900808	Seal, Rectangular Ring	6	
		Seal, Injector	6	
OPTION PP714				
				CPL 714
1	3802037 (3909532)	Kit, Injector Bosch	6	
2	3903380	Injector, Bosch	6	
3	3909356	Seal, Banjo Connector	6	
4	3900808	Seal, Rectangular Ring	6	
		Seal, Injector	6	



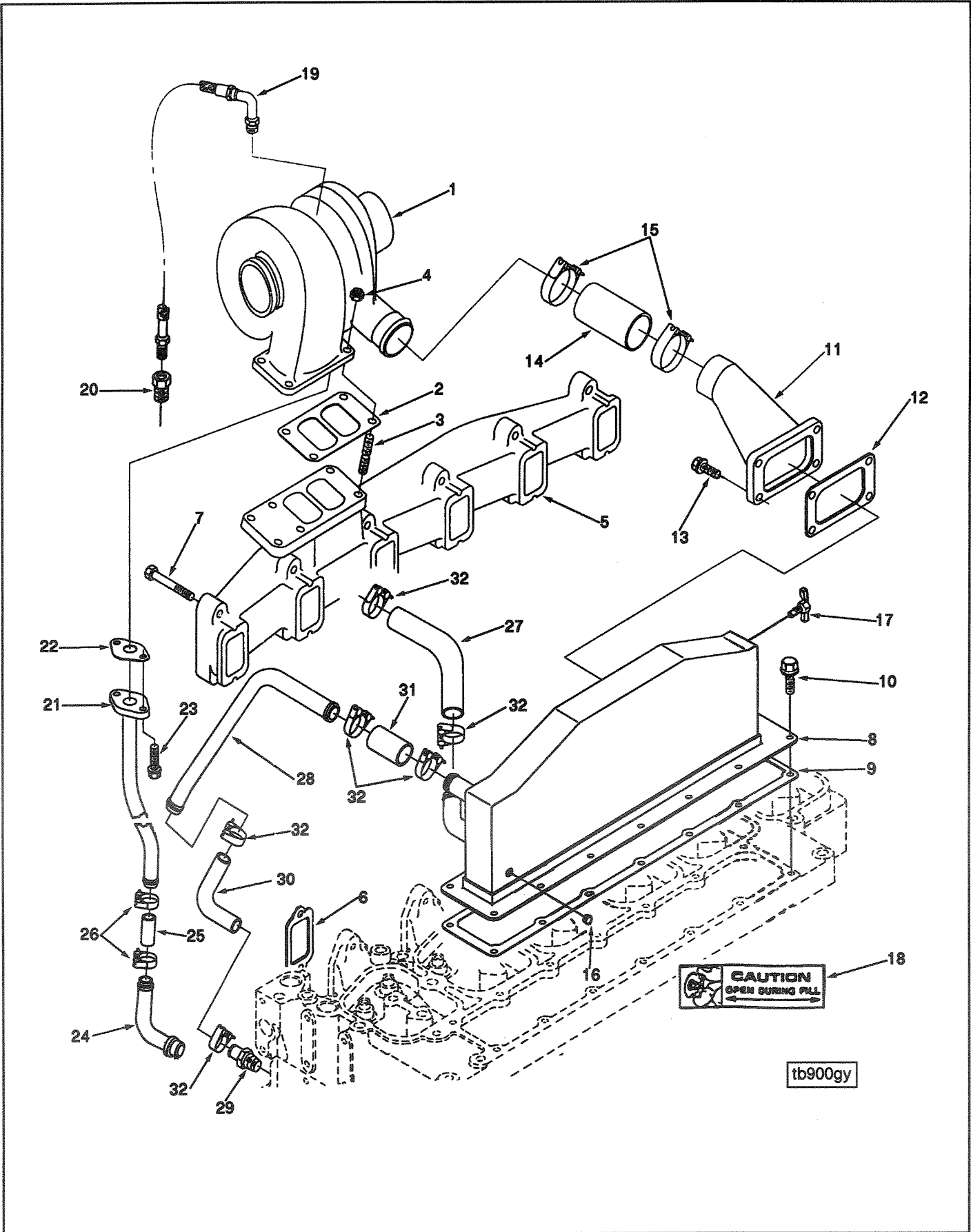
fi900ge

Ref No.	Part Number	Part Name	Req	Remarks
BOSCH INJECTOR				
OPTION PP729, PP938				
				CPL 729, 938
1	3802035 (3909476)	Kit, Injector Bosch	6	
		Injector, Bosch	6	
2	3903380	Seal, Banjo Connector	6	
3	3909356	Seal, Rectangular Ring	6	
4	3900808	Seal, Injector	6	
OPTION PP761				
				CPL 761
1	3802038 (3909522)	Kit, Injector Bosch	6	
		Injector, Bosch	6	
2	3903380	Seal, Banjo Connector	6	
3	3909356	Seal, Rectangular Ring	6	
4	3900808	Seal, Injector	6	
OPTION PP791				
				CPL 791
1	3802061 (3911185)	Kit, Injector Bosch	6	
		Injector, Bosch	6	
2	3903380	Seal, Banjo Connector	6	
3	3909356	Seal, Rectangular Ring	6	
4	3900808	Seal, Injector	6	

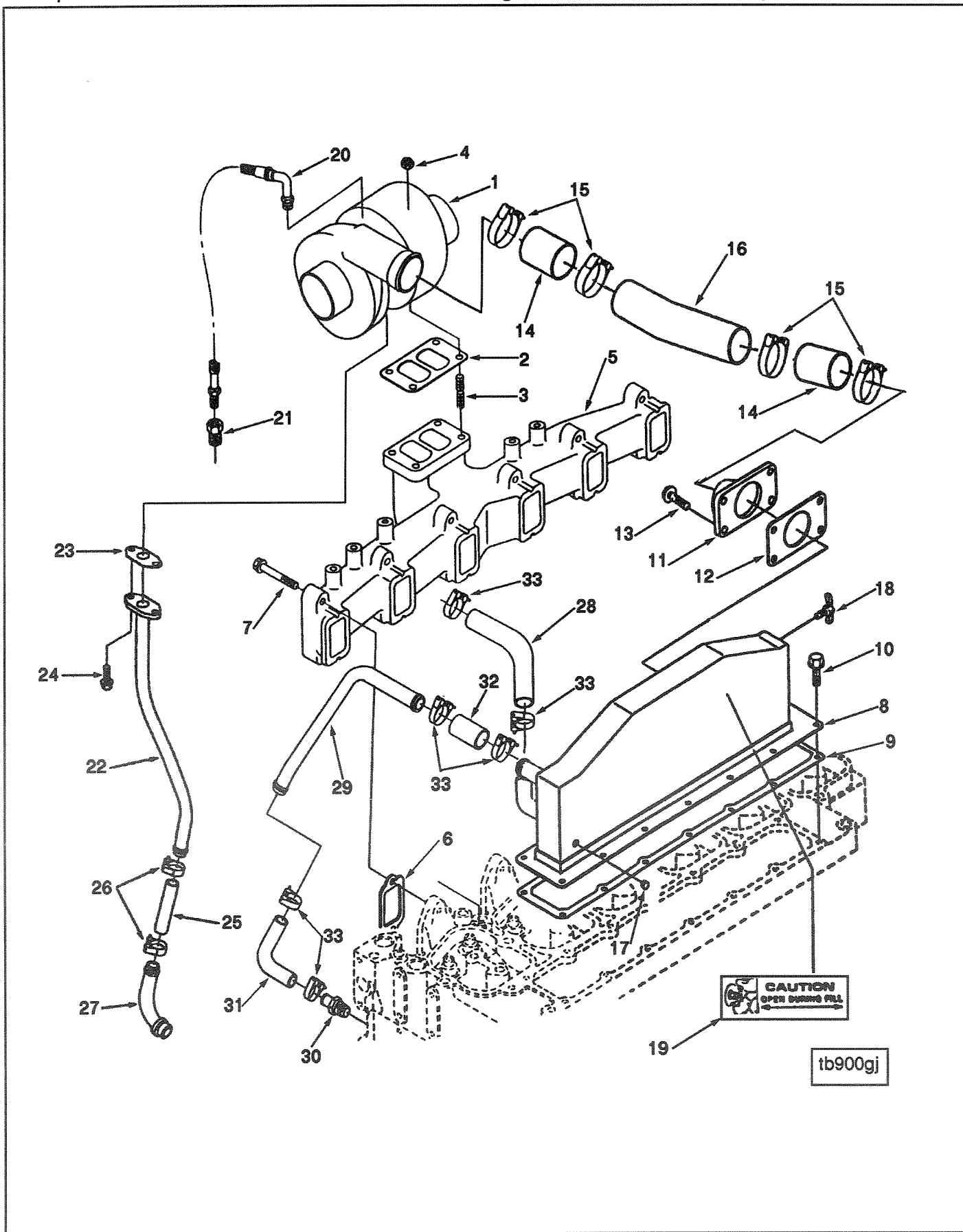


fi900ge

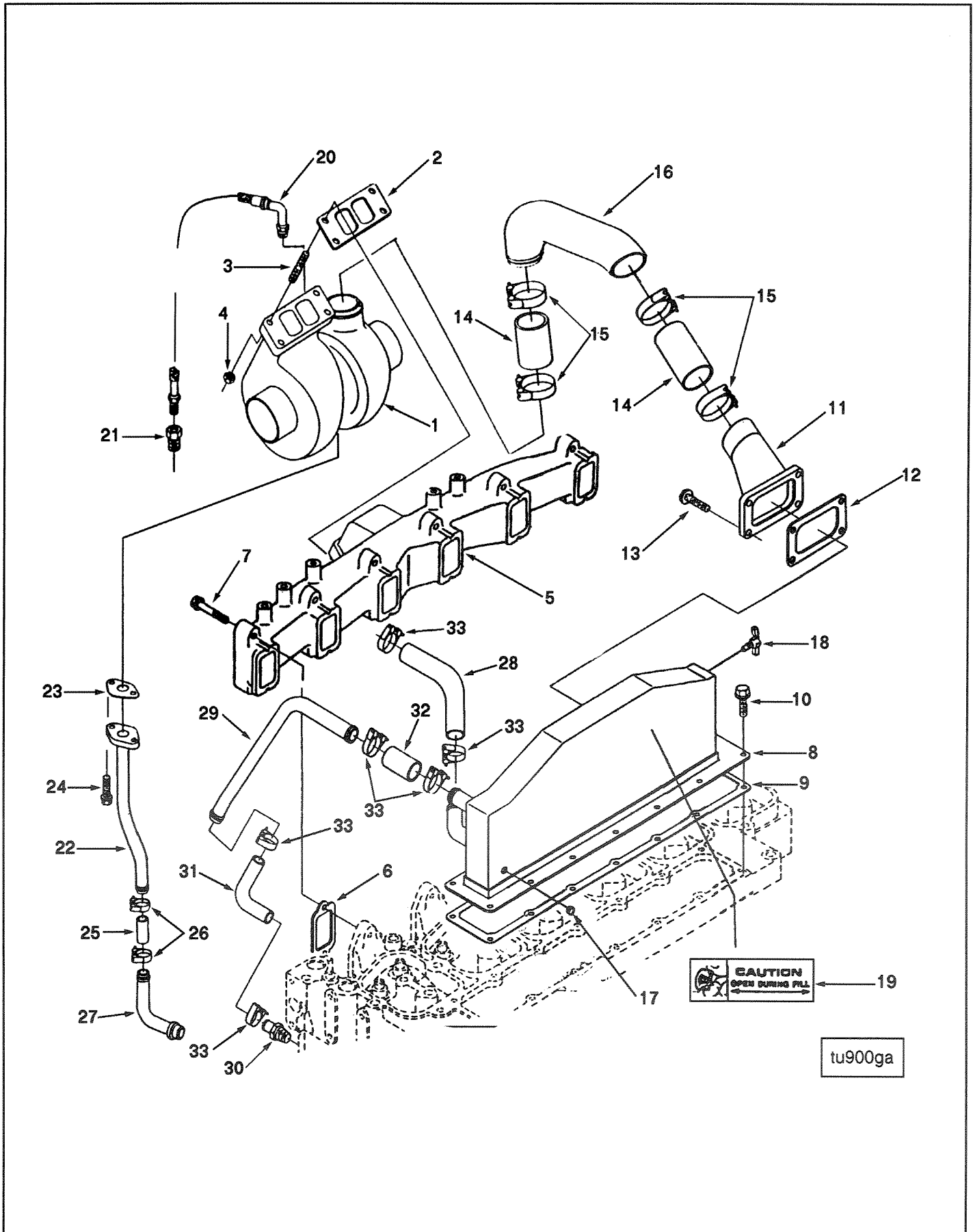
Ref No.	Part Number	Part Name	Req	Remarks
BOSCH INJECTOR				
OPTION PP845				
				CPL 845
1	3802063 (3912782)	Kit, Injector Bosch	6	
		Injector, Bosch	6	
2	3903380	Seal, Banjo Connector	6	
3	3909356	Seal, Rectangular Ring	6	
4	3900808	Seal, Injector	6	
OPTION PP943, PP949, PP950				
				CPL 943, 949, 950
1	3802035 (3909476)	Kit, Injector Bosch	6	
		Injector, Bosch	6	
2	3903380	Seal, Banjo Connector	6	
3	3909356	Seal, Rectangular Ring	6	
4	3900808	Seal, Injector	6	
OPTION PP998				
				CPL 998
1	3802135 (3912478)	Kit, Injector Bosch	6	
		Injector, Bosch	6	
2	3903380	Seal, Banjo Connector	6	
3	3909356	Seal, Rectangular Ring	6	
4	3900808	Seal, Injector	6	



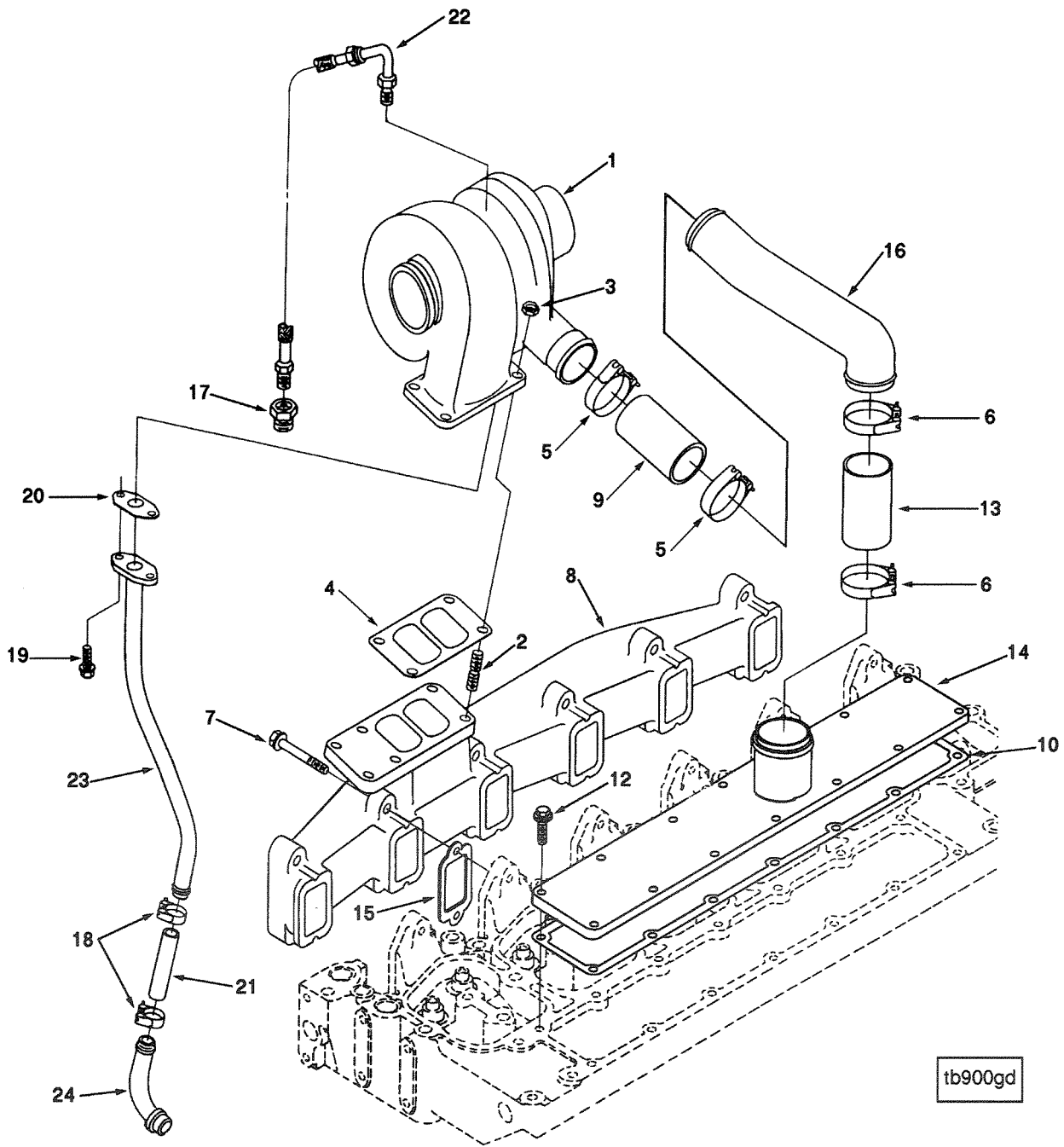
Ref No.	Part Number	Part Name	Req	Remarks
		TURBOCHARGER		
		OPTION PP9708		CPL 599, 715, 761, 938, 943
				Turbocharger for aftercooled engines with high front out exhaust
1	3802115 (3522778)	Turbocharger	1	H1
2	3901356	Turbocharger	1	
22	3901805	Gasket, Turbocharger	1	
3	3818823	Gasket, Oil Drain	1	
4	3818824	Stud	4	
		Nut, Hexagon Flange	4	
		OPTION TB9021		Turbocharger location for high mounted aftercooled turbo with exhaust to front.
5	3901683	Manifold, Exhaust	1	
6	3905443	Gasket, Exhaust Manifold	6	
7	3904446	Screw, Hexagon Head Cap	12	
8	3910282	Aftercooler	1	
9	3907036	Gasket, Intake Manifold	1	
10	3903331	Screw, Hexagon Head Cap	14	
11	3906918	Connection, Air Crossover	1	
12	3906210	Gasket, Connection	1	
13	3900631	Screw, Hexagon Head Cap	4	
14	3901804	Hose, Plain	1	
15	3008690	Clamp, Hose	2	
16	3906619	Plug, Pipe	1	
17	3909394	Draincock	1	
18	3910778	Decal	1	
		OPTION TP9703		Turbocharger supply and drain plumbing for high front out exhaust.
19	3909548	Hose, Flexible	1	
20	S-1008-1	Connector, Female	1	
21	3905354	Connection, Tur Oil Drain	1	
22	3901805	Gasket, Oil Drain	1	
23	3900630	Screw, Hexagon Head Cap	2	M8 - 1.25 x 20mm
24	3903744	Tube, Tur Oil Drain	1	
25	3903745	Hose, Plain	1	
26	43828-A	Clamp, Hose	2	
		OPTION WA9702		Aftercooler water plumbing
27	3903234	Hose, Elbow	1	
28	3907168	Tube, Aftercooler	1	
29	3907167	Coupling, Plain Hose	1	
30	3903391	Hose, Molded	1	
31	3907169	Hose, Plain	1	
32	210753	Clamp, Hose	6	



Ref No.	Part Number	Part Name	Req	Remarks
		TURBOCHARGER		
		OPTION PP9709		CPL 599, 715, 761, 938, 943
				Turbocharger for aftercooled engines with high rear out exhaust
1	3802115 (3522778)	Turbocharger	1	H1
2	3901356	Turbocharger	1	
23	3901805	Gasket, Turbocharger	1	
3	3818823	Gasket, Oil Drain	1	
4	3918824	Stud	4	
		Nut, Regular Hexagon	4	
		OPTION TB9023		Turbocharger location for high mounted aftercooled turbo with rear out exhaust
5	3902347	Manifold, Exhaust	1	
6	3905443	Gasket, Exhaust Manifold	6	
7	3904446	Screw, Hexagon Head Cap	12	M10-1.5 x 70mm
8	3910282	Aftercooler	1	
9	3907036	Gasket, Intake Manifold	1	
10	3903331	Screw, Hexagon Head Cap	14	M8-1.25 x 26mm
11	3908775	Connection, Air Crossover	1	
12	3906210	Gasket, Connection	1	
13	3900631	Screw, Hexagon Head Cap	4	M8-1.25 x 25mm
14	3901804	Hose, Plain	2	
15	3008690	Clamp, Hose	4	
16	3908776	Tube, Air	1	
17	3906619	Plug, Pipe	1	
18	3909394	Draincock	1	
19	3910778	Decal	1	
		OPTION TP9704		Supply and drain plumbing for high rear out exhaust
20	3909547	Hose, Flexible	1	
21	S-1008-1	Connector, Female	1	
22	3905202	Connection, Tur Oil Drain	1	
23	3901805	Gasket, Oil Drain	1	
24	3900630	Screw, Hexagon Head Cap	2	M8 - 1.25 x 20mm
25	3903745	Hose, Plain	1	
26	43828-A	Clamp, Hose	2	
27	3903744	Tube, Tur Oil Drain	1	
		OPTION WA9702		Aftercooler water plumbing
28	3903234	Hose, Elbow	1	
29	3907168	Tube, Aftercooler	1	
30	3907167	Coupling, Plain Hose	1	
31	3903391	Hose, Molded	1	
32	3907169	Hose, Plain	1	
33	210753	Clamp, Hose	6	
		OPTION PP9774		CPL 998
		Same as above except:		
1	3802133 (3525669)	Turbocharger	1	
		Turbocharger	1	

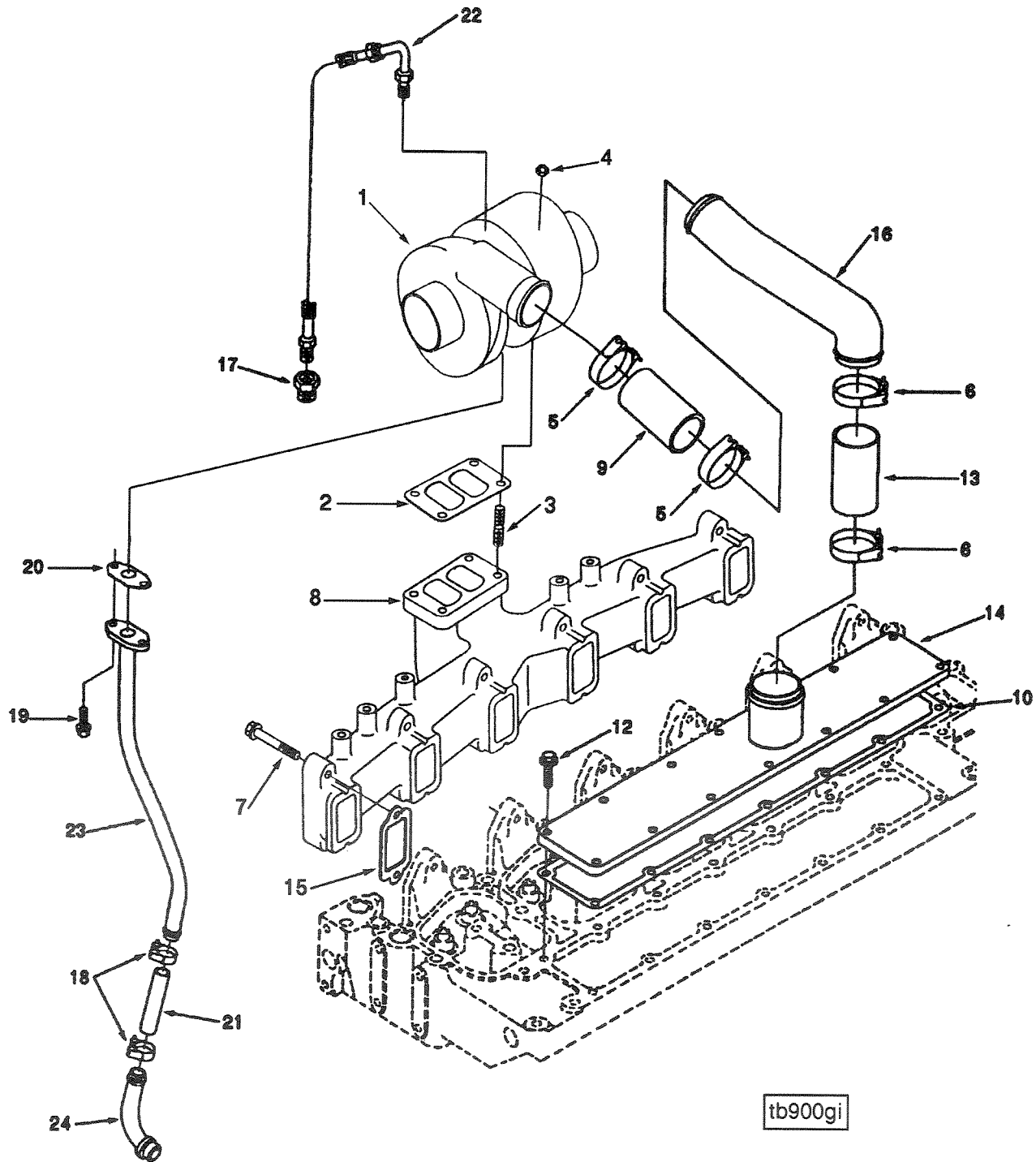


Ref No.	Part Number	Part Name	Req	Remarks
TURBOCHARGER				
OPTION PP9712				
				CPL 599, 715, 761, 938, 943
				Turbocharger location for low mounted turbo with front out exhaust
1	3802115 (3522778)	Turbocharger	1	H1
2	3901356	Turbocharger	1	
23	3901805	Gasket, Turbocharger	1	
3	3818823	Gasket, Oil Drain	1	
4	3918824	Stud	4	
		Nut, Regular Hexagon	4	
OPTION TB9025				
				Turbocharger location for low mounted aftercooled turbo with front out exhaust
5	3906660	Manifold, Exhaust	1	
6	3905443	Gasket, Exhaust Manifold	6	
7	3904446	Screw, Hexagon Head Cap	12	M10-1.5 x 70mm
8	3910282	Aftercooler	1	
9	3914029	Gasket, Intake Manifold	1	
10	3903331	Screw, Hexagon Head Cap	14	M8-1.25 x 26mm
11	3906918	Connection, Air Crossover	1	
12	3906210	Gasket, Connection	1	
13	3900631	Screw, Hexagon Head Cap	4	M8-1.25 x 25mm
14	3901804	Hose, Plain	2	
15	3008690	Clamp, Hose	4	
16	3906914	Tube, Air	1	
17	3906619	Plug, Pipe	1	
18	3909394	Draincock	1	
19	3910778	Decal	1	
OPTION TP9705				
				Supply and drain plumbing for low front out exhaust
20	3911235	Hose, Flexible	1	
21	S-1008-1	Connector, Female	1	
22	3906912	Connection, Tur Oil Drain	1	
23	3901805	Gasket, Oil Drain	1	
24	3900630	Screw, Hexagon Head Cap	2	M8 - 1.25 x 20mm
25	3903745	Hose, Plain	1	
26	43828-A	Clamp, Hose	2	
27	3903744	Tube, Tur Oil Drain	1	
OPTION WA9702				
				Aftercooler water plumbing
28	3903234	Hose, Elbow	1	
29	3907168	Tube, Aftercooler	1	
30	3907167	Coupling, Plain Hose	1	
31	3903391	Hose, Molded	1	
32	3907169	Hose, Plain	1	
33	210753	Clamp, Hose	6	



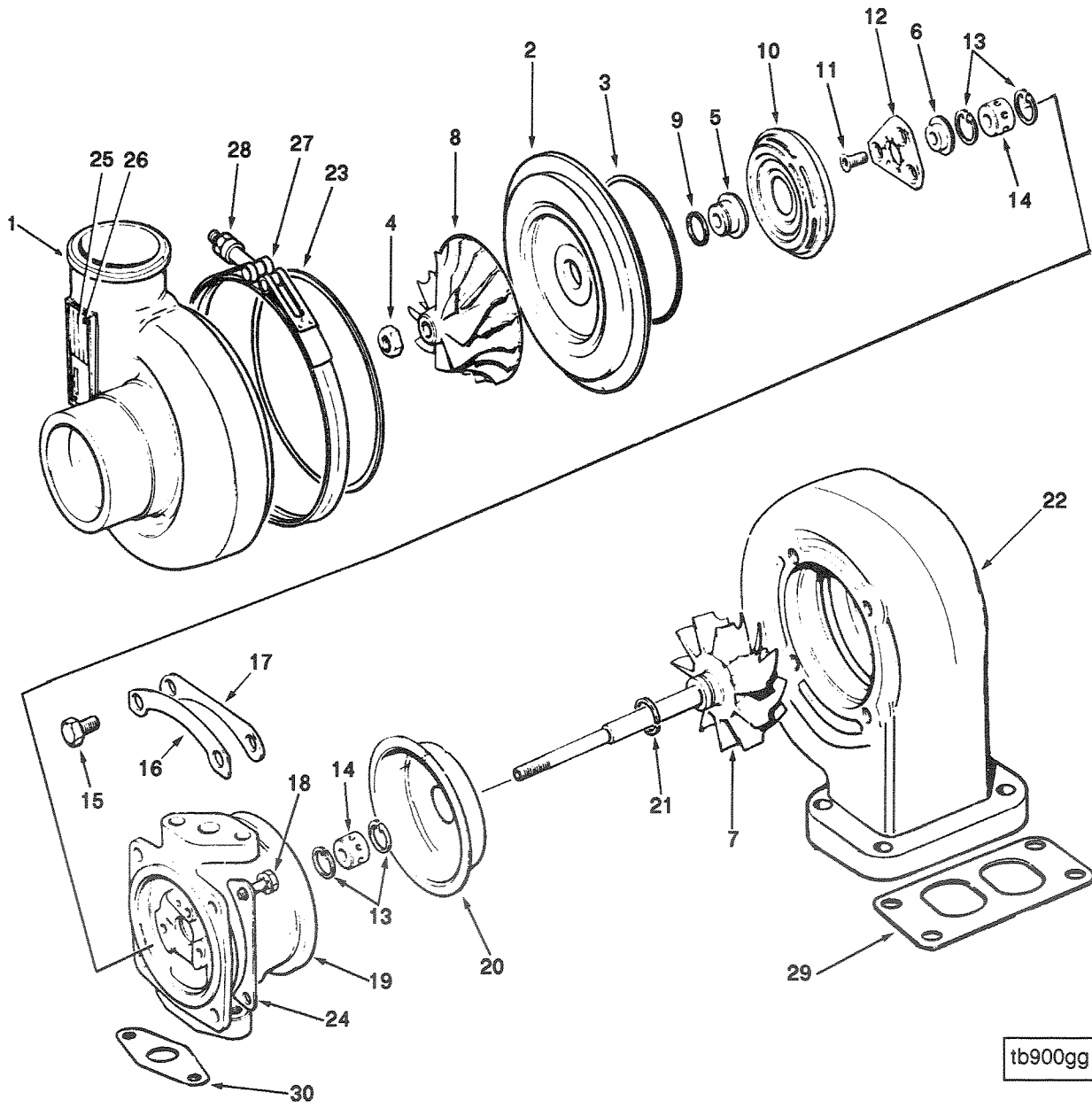
tb900gd

Ref No.	Part Number	Part Name	Req	Remarks
TURBOCHARGER				
OPTION PP9730				
				CPL 599, 715, 761, 938, 943
				Turbocharger for non aftercooled engines with high front out exhaust
1	3802115	Turbocharger	1	H1
	(3522778)	Turbocharger	1	
4	3901356	Gasket, Turbocharger	1	
20	3901805	Gasket, Oil Drain	1	
2	3905417	Stud	4	
3	3901961	Nut, Regular Hexagon	4	
OPTION TB9022				
				Turbocharger location for high mounted turbo with exhaust outlet to front.
5	3008690	Clamp, Hose	2	
6	3026396	Clamp, Hose	2	
7	3904446	Screw, Hexagon Head Cap	12	
8	3901683	Manifold, Exhaust	1	
9	3901804	Hose, Plain	1	
10	3902002	Gasket, Intake Manifold	1	
12	3904341	Screw, Hexagon Head Cap	12	
13	3904422	Hose, Plain	1	
15	3905443	Gasket, Exhaust Manifold	6	
16	3906973	Pipe, Air Inlet	1	
OPTION TB9702				
14	3908086	Cover, Intake Manifold	1	2.5 inch dia. die cast air intake connection. No provision for air heater. For turbocharged engines.
OPTION TP9703				
				2.0 inch dia. die cast air intake connection with provision for air heater installation.
17	S-1008-1	Connector, Female	1	
18	43828-A	Clamp, Hose	2	
19	3900630	Screw, Hexagon Head Cap	2	M8 - 1.25 x 20mm
20	3901805	Gasket, Oil Drain	1	
21	3903745	Hose, Plain	1	
22	3909548	Hose, Flexible	1	
23	3905354	Connection, Tur Oil Drain	1	
24	3903744	Tube, Tur Oil Drain	1	



tb900gi

Ref No.	Part Number	Part Name	Req	Remarks
TURBOCHARGER				
OPTION PP9731				
				CPL 728, 729
				Turbocharger for non aftercooled engines with high rear out exhaust
1	3802108 (3525103)	Turbocharger	1	H1
2	3901356	Turbocharger	1	
20	3901805	Gasket, Turbocharger	1	
3	3818823	Gasket, Oil Drain	1	
4	3818824	Stud	4	
4	3818824	Nut, Regular Hexagon	4	
OPTION TB9020				
				Turbocharger location for high mounted turbo with rear out exhaust
5	3008690	Clamp, Hose	2	
6	3026396	Clamp, Hose	2	
7	3904446	Screw, Hexagon Head Cap	12	
8	3902347	Manifold, Exhaust	1	
9	3901804	Hose, Plain	1	
10	3902002	Gasket, Intake Manifold	1	
12	3904341	Screw, Hexagon Head Cap	12	
13	3904422	Hose, Plain	1	
15	3905443	Gasket, Exhaust Manifold	6	
16	3906972	Pipe, Air Inlet	1	
OPTION TB9702				
				2.5 inch air intake connection
14	3908086	Cover, Intake Manifold	1	
OPTION TP9704				
				Supply and drain plumbing for high rear out exhaust
17	S-1008-1	Connector, Female	1	
18	43828-A	Clamp, Hose	2	
19	3900630	Screw, Hexagon Head Cap	2	M8 - 1.25 x 20mm
20	3901805	Gasket, Oil Drain	1	
21	3903745	Hose, Plain	1	
22	3909547	Hose, Flexible	1	
23	3905202	Connection, Tur Oil Drain	1	
24	3903744	Tube, Tur Oil Drain	1	

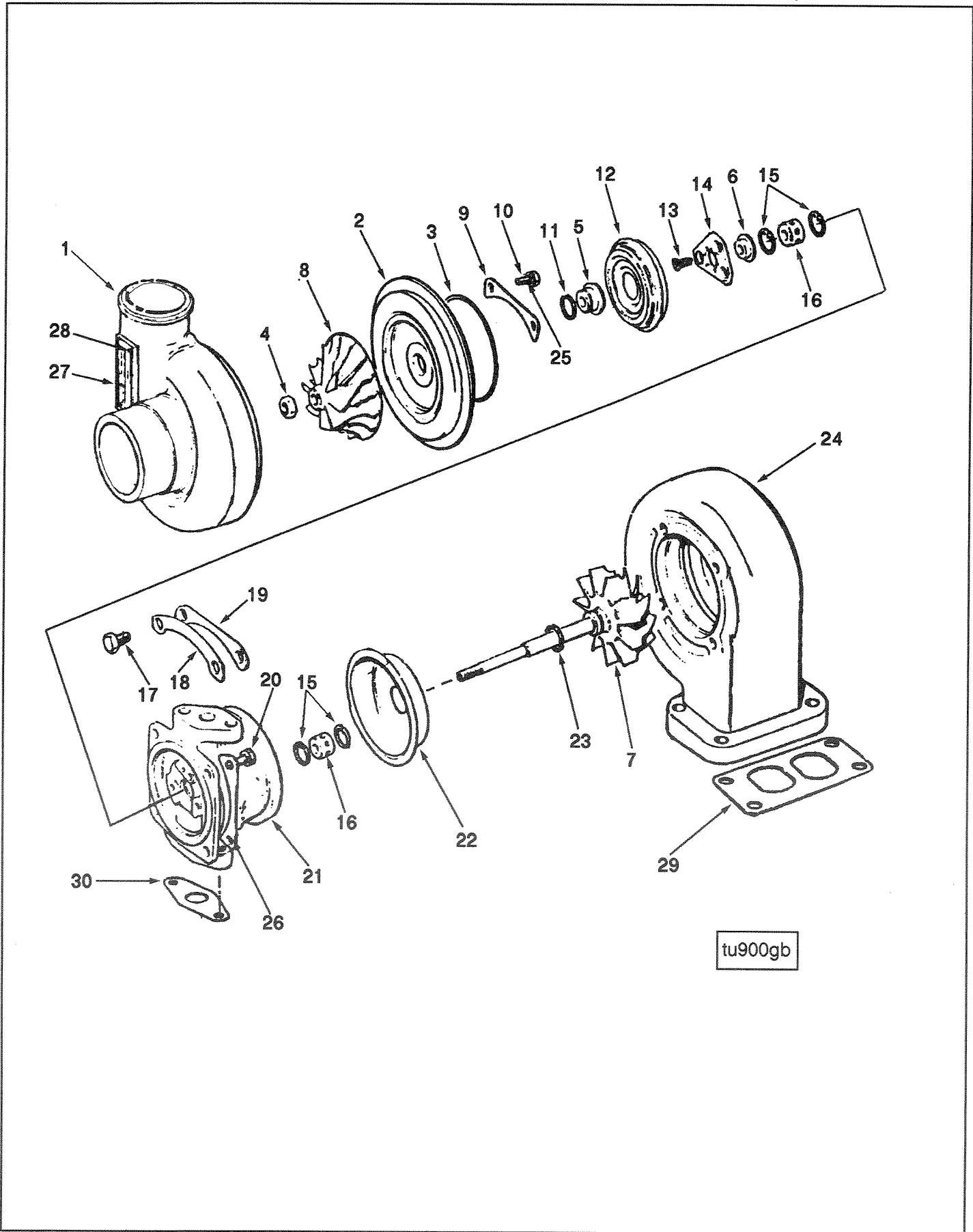


tb900gg

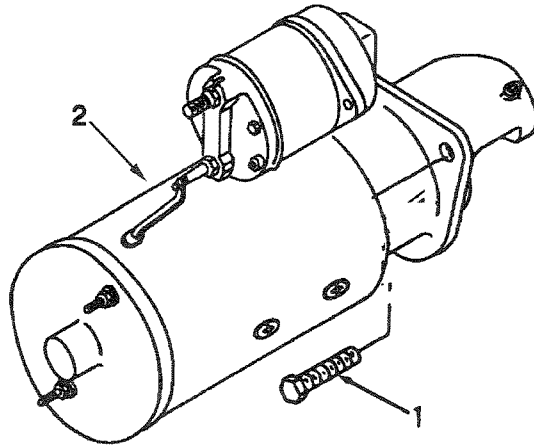
Group No. 10.06

Turbocharger

Ref No.	Part Number	Part Name	Req	Remarks
		TURBOCHARGER		CPL 599, 715, 761, 938, 943
	3802115	Turbocharger	1	H1
	(3522778)	Turbocharger	1	
1	3522390	Housing, Compressor	1	
2	3522801	Diffuser, Turbocharger	1	
3	3502449	Seal, Rectangular Ring	1	
	3523318	Rotor Assembly	1	
4	3503562	Nut, Lock	1	
5	(3503662)	Slinger, Oil	1	
6	(3518980)	Collar, Thrust	1	
7	(3519336)	Shaft and Wheel	1	
8	(3521711)	Impeller, Tur Compressor	1	
9	3758848	Seal, Split Ring	1	
10	3503668	Baffle, Oil	1	
11	3503347	Screw, Flat Head Cap	3	M5 - .8 x 16mm
12	3518987	Bearing, Thrust	1	
13	3762259	Ring, Retaining	4	
14	3503100	Bearing, Turbocharger	2	
15	3759917	Screw, Hexagon Head Cap	4	M8 - 1.25 x 12mm
16	3501102	Lockplate	2	
17	3501188	Plate, Clamping	1	
18	3522827	Screw, Hexagon Head Set	4	M6 - 1.0 x 18mm
19	3520702	Housing, Tur Bearing	1	
20	3519302	Shield, Turbocharger Heat	1	
21	3756754	Seal, Split Ring	1	
22	3519409	Housing, Turbine	1	
23	3523958	Seal, Rectangular Ring	1	
24	3502066	Lockplate	2	
25	3519905	Dataplate	1	
26	3519163	Screw, Drive	2	
27	3521832	Clamp, V Band	1	
28	3503335	Nut, Regular Hexagon	1	
29	3901356	Gasket, Turbocharger	1	
30	3901805	Gasket, Oil Drain	1	
	3802007	Kit, Turbo Repair	1	
3	3502449	Seal, Rectangular Ring	1	
4	3503562	Nut, Lock	1	
9	3758848	Seal, Split Ring	1	
11	3503347	Screw, Flat Head Cap	3	M5 - .8 x 16mm
12	3518987	Bearing, Thrust	1	
13	3762259	Ring, Retaining	4	
14	3503100	Bearing, Turbocharger	2	
15	3759917	Screw, Hexagon Head Cap	4	M8 - 1.25 x 12mm
16	3501102	Lockplate	2	
18	3522827	Screw, Hexagon Head Set	4	M6 - 1.0 x 18mm
21	3756754	Seal, Split Ring	1	
24	3502066	Lockplate	2	
29	3901356	Gasket, Turbocharger	1	
30	3901805	Gasket, Oil Drain	1	
		3802133 same as 3802115		
		except:		
	3802133	Turbocharger	1	CPL 998
	(3525669)	Turbocharger	1	H1
1	3522389	Housing, Compressor	1	
	3523755	Rotor Assembly	1	
8	(3521710)	Impeller, Tur Compressor	1	
22	3519408	Housing, Turbine	1	

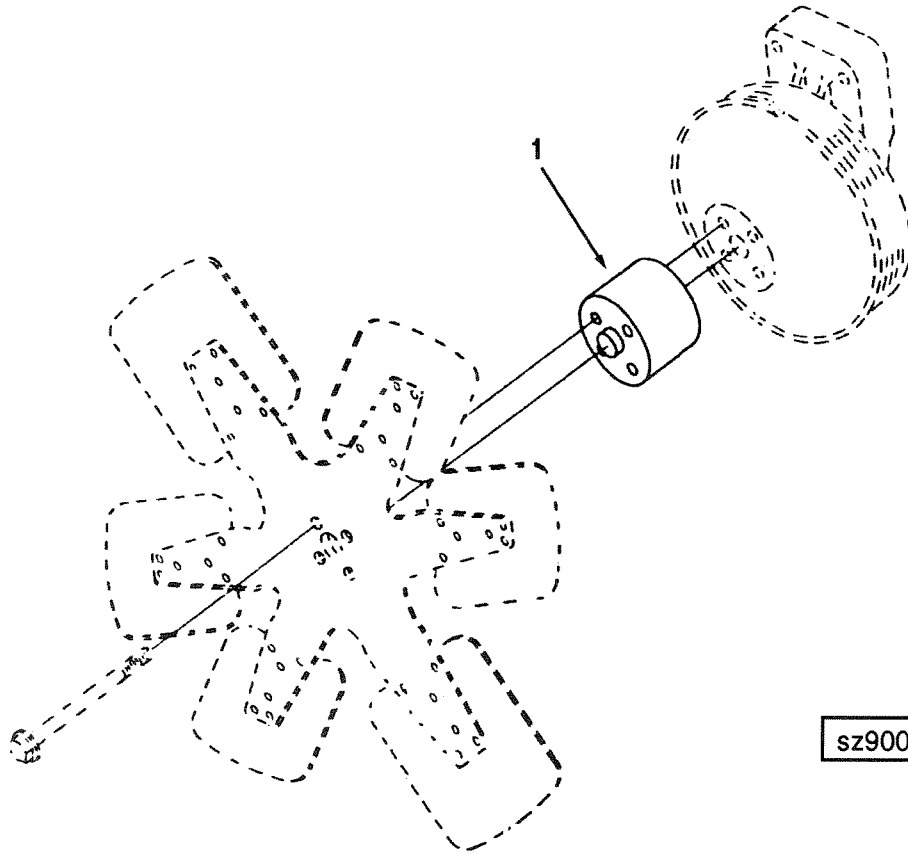


Ref No.	Part Number	Part Name	Req	Remarks
		TURBOCHARGER		CPL 728, 729
	3802108	Turbocharger	1	H1
	(3525103)	Turbocharger	1	
1	3521449	Housing, Compressor	1	
2	3501502	Diffuser, Turbocharger	1	
3	3502449	Seal, Rectangular Ring	1	
	3523321	Rotor Assembly	1	
4	3503562	Nut, Lock	1	
5	(3503662)	Slinger, Oil	1	
6	(3518980)	Collar, Thrust	1	
7	(3519336)	Shaft and Wheel	1	
8	(3504649)	Impeller, Tur Compressor	1	
9	3502520	Plate, Clamping	3	
10	3759526	Screw, Hexagon Head Set	6	M6 - 1.0 x 12mm
11	3758848	Seal, Split Ring	1	
12	3503668	Baffle, Oil	1	
13	3503347	Screw, Flat Head Cap	3	M5 - .8 x 16mm
14	3518987	Bearing, Thrust	1	
15	3762259	Ring, Retaining	4	
16	3503100	Bearing, Turbocharger	2	
17	3759917	Screw, Hexagon Head Cap	4	M8 - 1.25 x 12mm
18	3501102	Lockplate	2	
19	3501188	Plate, Clamping	2	
20	3501552	Screw, Hexagon Head Set	4	M6 - 1.0 x 16mm
21	3520702	Housing, Tur Bearing	1	
22	3519302	Shield, Turbocharger Heat	1	
23	3756754	Seal, Split Ring	1	
24	3519409	Housing, Turbine	1	
25	3518004	Washer, Lock	6	
26	3502066	Lockplate	2	
27	3519905	Dataplate	1	
28	3519163	Screw, Drive	2	
29	3901356	Gasket, Turbocharger	1	
30	3901805	Gasket, Oil Drain	1	
	3802007	Kit, Turbo Repair	1	
3	3502449	Seal, Rectangular Ring	1	
4	3503562	Nut, Lock	1	
10	3759526	Screw, Hexagon Head Set	6	M6 - 1.0 x 12mm
11	3758848	Seal, Split Ring	1	
13	3503347	Screw, Flat Head Cap	3	M5 - .8 x 16mm
14	3518987	Bearing, Thrust	1	
15	3762259	Ring, Retaining	4	
16	3503100	Bearing, Turbocharger	2	
17	3759917	Screw, Hexagon Head Cap	4	M8 - 1.25 x 12mm
18	3501102	Lockplate	2	
20	3501552	Screw, Hexagon Head Set	4	M6 - 1.0 x 16mm
23	3756754	Seal, Split Ring	1	
25	3518004	Washer, Lock	6	
26	3502066	Lockplate	2	
29	3901356	Gasket, Turbocharger	1	
30	3901805	Gasket, Oil Drain	1	

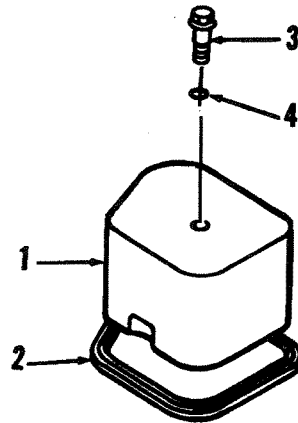


st900gc

Ref No.	Part Number	Part Name	Req	Remarks
		STARTER MOUNTING		
		OPTION SM9001		
1	3903834	Screw, Twelve Point Cap	3	Mounting for cranking motor. M10 - 1.50 x 35mm
		STARTING MOTOR		
		OPTION ST9006		
2	3904445	Motor, Starting	1	For use with 10/12 pitch ring gear. For use in 6B, 6BT, and 6BTA engines. 12 volt Delco-Remy 27MT

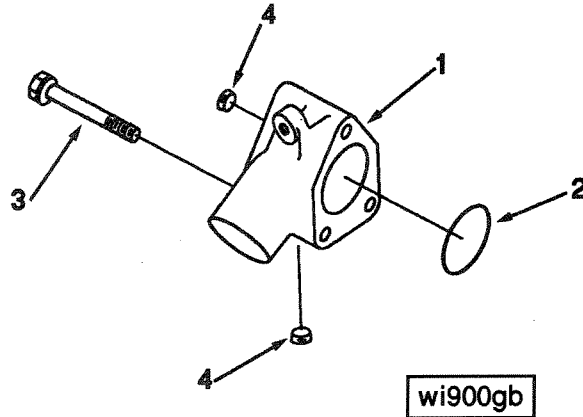


Ref No.	Part Number	Part Name	Req	Remarks
		FAN SPACER OPTION SP9004		
1	3903818	Spacer, Fan	1	50.8mm fan spacer
		OPTION SP9005		
1	3903819	Spacer, Fan	1	63.5mm fan spacer

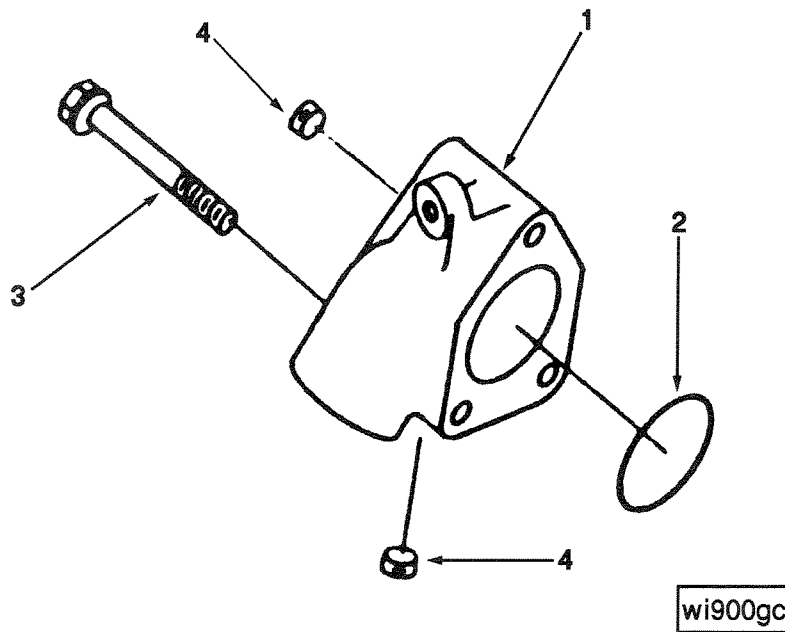


vc900gb
b01496

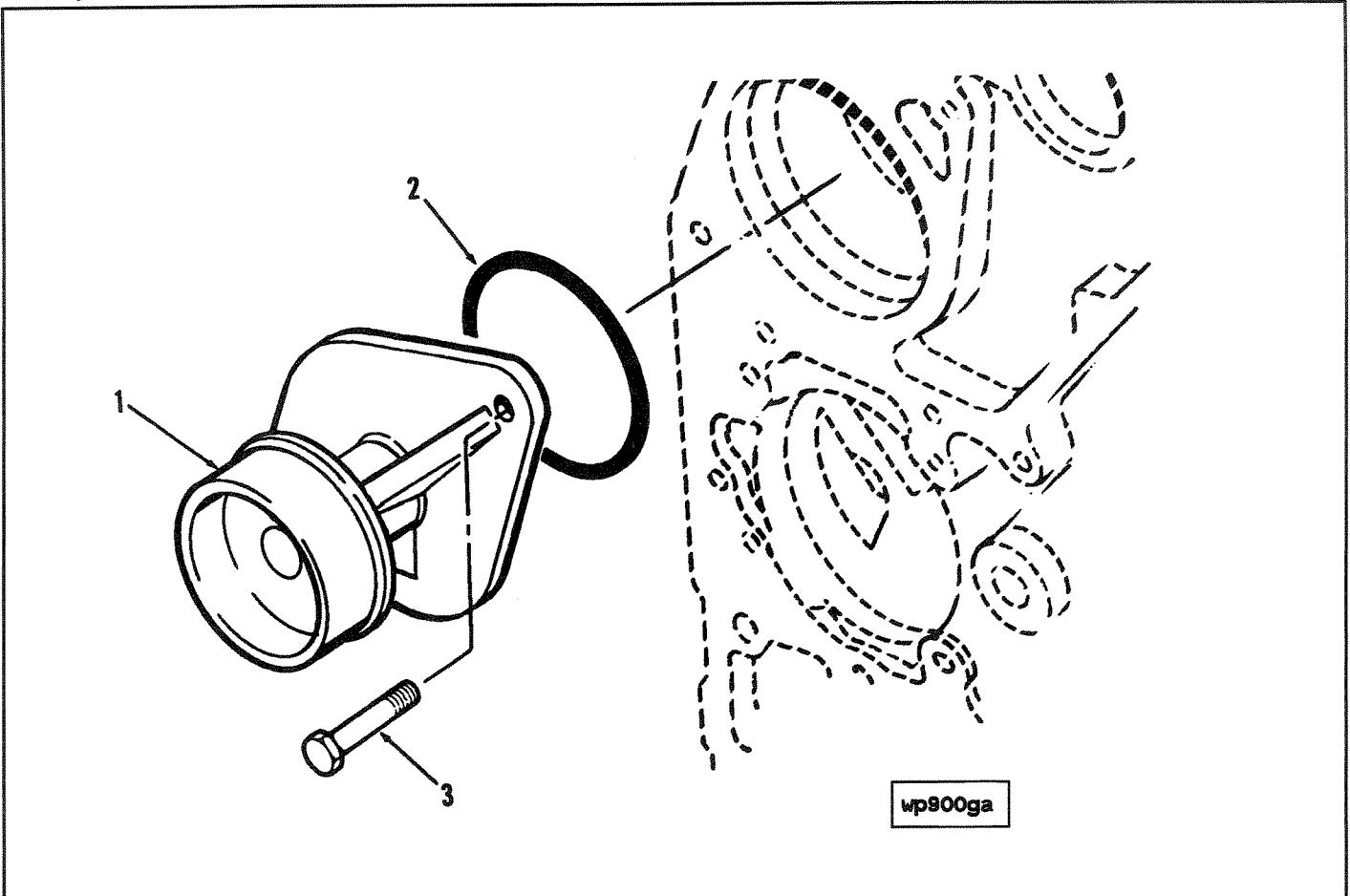
Ref No.	Part Number	Part Name	Req	Remarks
		VALVE COVER		
		OPTION VC9009		
1	3902604	Cover, Valve	6	Valve cover arrangement without fill provision M8 - 1.25 x 33.25mm
2	3902666	Gasket, Valve Cover	6	
3	3907049	Screw, Hexagon Head Cap	6	
4	3910824	Seal, O-Ring	6	



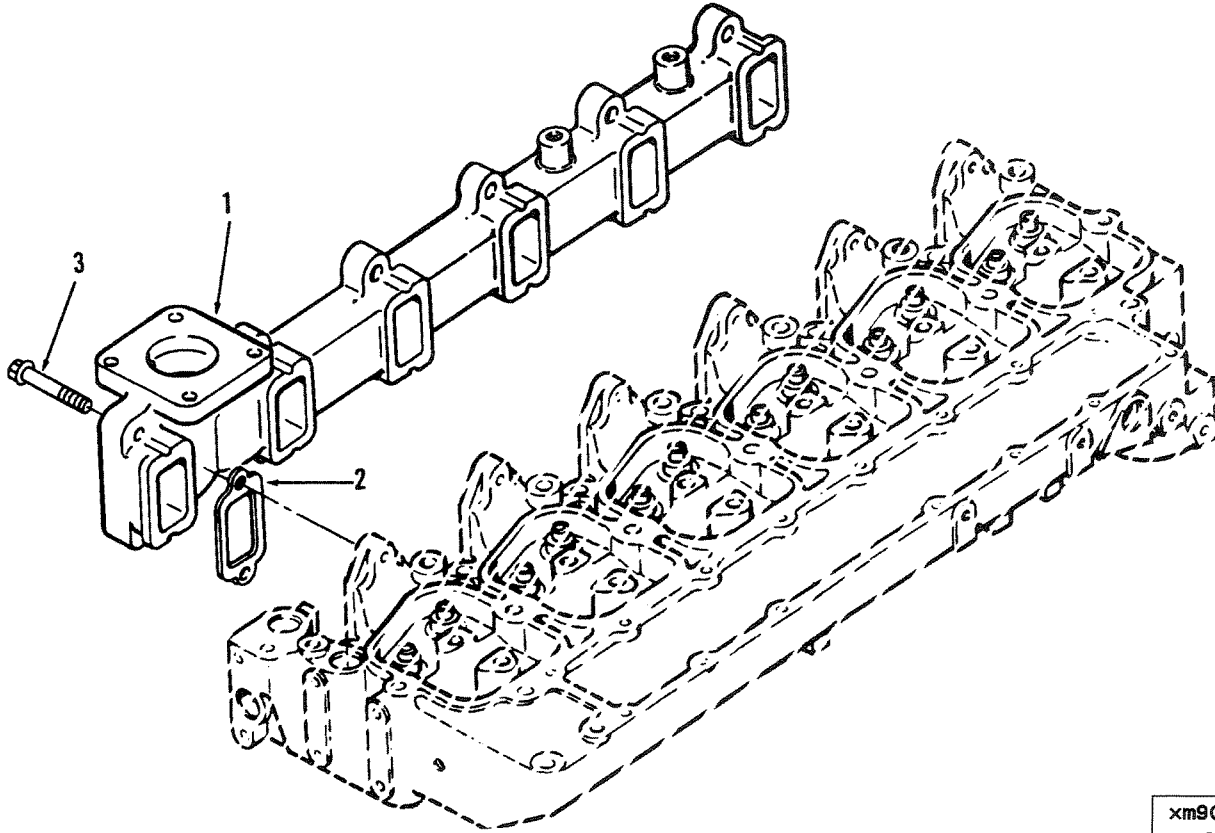
Ref No.	Part Number	Part Name	Req	Remarks
WATER INLET CONNECTION				
OPTION WI9001				
1	3903102	Connection, Water Inlet	1	58mm water inlet connection pointing 30 deg. down
2	3906697	Seal, Rectangular Ring	1	
3	3901757	Screw, Hexagon Head Cap	3	
OPTION WI9701				
4	3008468	Plug, Pipe	2	Plugs for use in water inlet connection to be used without water cooled exhaust manifold



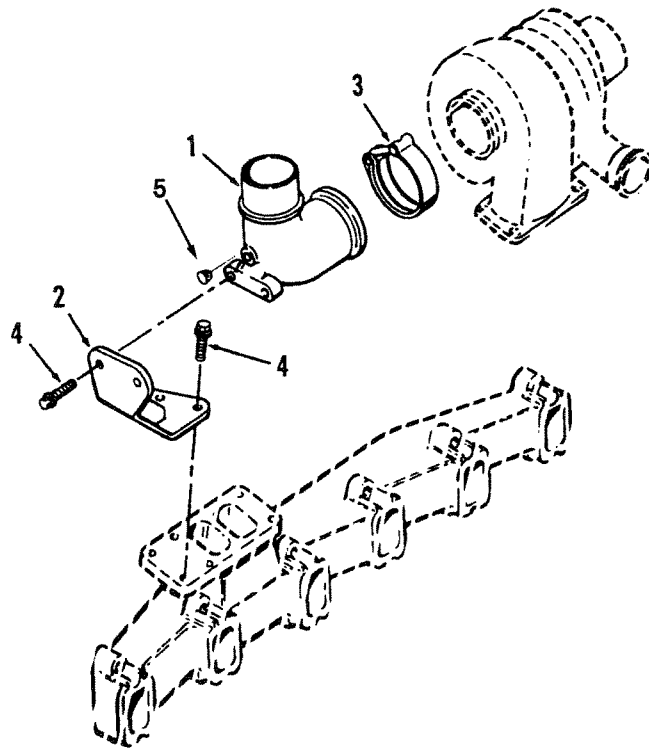
Ref No.	Part Number	Part Name	Req	Remarks
WATER INLET CONNECTION				
OPTION WI9002				
1	3903103	Connection, Water Inlet	1	58mm water inlet connection pointing 73 degrees down.
2	3906697	Seal, Rectangular Ring	1	
3	3901757	Screw, Hexagon Head Cap	3	
OPTION WI9701				
4	3008468	Plug, Pipe	2	Plugs for use in water inlet connection to be used without water cooled exhaust manifold.



Ref No.	Part Number	Part Name	Req	Remarks
		WATER PUMP		
		OPTION WP9001		
1	3802004 (3903749)	Pump, Water	1	
2	3906698	Pump, Water	1	
3	3900227	Seal, Rectangular Ring	1	Interchangable with 3903297
		Screw, Hexagon Head Cap	2	M8 - 1.25 x 22mm



Ref No.	Part Number	Part Name	Req	Remarks
EXHAUST MANIFOLD				
OPTION XM9004				
1	3901326	Manifold, Exhaust	1	Front up exhaust outlet flange location. Flange located on left side of engine.
2	3905443	Gasket, Exhaust	6	
3	3904446	Screw, Hexagon Head Cap	12	



Ref No.	Part Number	Part Name	Req	Remarks
EXHAUST CONNECTION				
OPTION XS9005				
1	3910991	Pipe, Exhaust Outlet	1	
2	3903761	Brace, Exh Outlet Conn	1	
3	3903652	Clamp, V Band	1	
4	3902460	Screw, Hexagon Head Cap	4	M10 - 1.5 x 25mm
5	S-910-B	Plug, Pipe	1	1/4 - 18 inch

Ref No.	Part Number	Part Name	Req	Remarks
		Upper Engine Set Standard Thickness		
	3802026	Set, Upper Engine Gasket	1	
	3900808	Seal, Injector	6	
	3901097	Seal, Valve Stem	12	
	3901356	Gasket, Turbocharger	1	
	3905443	Gasket, Water Manifold	6	
	3901805	Gasket, Oil Drain	1	
	3910824	Seal, O'Ring	6	
	3902002	Gasket, Intake Manifold	6	
	3902363	Seal, Rectangular Ring	1	
	3902425	Washer, Sealing	1	
	3902666	Gasket, Valve Cover	6	
	3903037	Washer, Plain	5	
	3903301	Gasket, Thrm Hsg Cover	1	
	3903380	Seal, Banjo Connector	6	
	3903728	Washer, Plain	2	
	3912220	Gasket, Exh Out Conn	1	
	3903846	Seal, O'Ring	1	
	3906694	Seal, Rectangular Ring	1	
	3906773	Washer, Sealing	1	
	3907057	Gasket, Cylinder Head	1	

Ref No.	Part Number	Part Name	Req	Remarks
		Upper Engine Set .15mm Over Thickness		
	3802027	Set, Upper Engine Gasket	1	
	3900808	Seal, Injector	6	
	3903037	Washer, Plain	5	
	3901097	Seal, Valve Stem	12	
	3901356	Gasket, Turbocharger	1	
	3905443	Gasket, Water Manifold	6	
	3901805	Gasket, Oil Drain	1	
	3910824	Seal, O'Ring	6	
	3902002	Gasket, Intake Manifold	1	
	3902363	Seal, Rectangular Ring	1	
	3902425	Washer, Sealing	1	
	3902666	Gasket, Valve Cover	6	
	3912220	Gasket, Exh Out Conn	1	
	3903301	Gasket, Thrm Hsg Cover	1	
	3903380	Seal, Banjo Connector	6	
	3903846	Seal, O'Ring	1	
	3903728	Washer, Plain	2	
	3906694	Seal, Rectangular Ring	1	
	3906773	Washer, Sealing	1	
	3907058	Gasket, Cylinder Head	1	
		Upper Engine Set .50mm Over Thickness		
	3802028	Set, Upper Engine Gasket	1	
	3900808	Seal, Injector	6	
	3901097	Seal, Valve Stem	12	
	3901356	Gasket, Turbocharger	1	
	3901805	Gasket, Oil Drain	1	
	3902002	Gasket, Intake Manifold	1	
	3902363	Seal, Rectangular Ring	1	
	3902425	Washer, Sealing	1	
	3902666	Gasket, Valve Cover	6	
	3903037	Washer, Plain	5	
	3912220	Gasket, Exh Out Conn	1	
	3903301	Gasket, Thrm Hsg Cover	1	
	3903380	Seal, Banjo Connector	6	
	3903728	Washer, Plain	2	
	3903846	Seal, O'Ring	1	
	3905443	Gasket, Water Manifold	6	
	3906694	Seal, Rectangular Ring	1	
	3906773	Washer, Sealing	1	
	3907059	Gasket, Cylinder Head	1	
	3910824	Seal, O'Ring	6	

Ref No.	Part Number	Part Name	Req	Remarks
		Lower Engine Set		
	3802029	Set, Lower Engine Gasket	1	
	154916	Gasket, Hydraulic Pump	1	
	3008400	Gasket, Lub Oil Pump	1	
	3900216	Washer, Sealing	1	
	3900267	Seal, O'Ring	6	
	3901019	Gasket, Rear	1	
	3901020	Nozzle, Piston Cooling	6	
	3902425	Washer, Sealing	2	
	3903475	Seal, Rectangular Ring	1	
	3903927	Seal, O'Ring	1	
	3904044	Gasket, Cover Plate	1	
	3904776	Gasket, Push Rod Cover	1	
	3904353	Seal, Oil	1	
	3904427	Gasket, Oil Cooler Core	1	
	3905218	Gasket, Tachometer	1	
	3905468	Gasket, Flange	1	
	3912638	Gasket, Filter Head	1	
	3905685	Gasket, Fuel Pump	1	
	3906693	Seal, Rectangular Ring	1	
	3906696	Seal, Rectangular Ring	1	
	3906697	Seal, Rectangular Ring	1	
	3906698	Seal, Rectangular Ring	1	
	3907836	Gasket, Gear Housing	1	
	3908096	Gasket, Cover Plate	1	
	3909410	Kit, Seal	1	
	3910500	Gasket, Gear Cover	1	
	3911536	Gasket, Oil Pan	1	
	3912473	Seal, O'Ring	1	
	3905595	Gasket, Timing Housing	1	

Service Repair Kits

Option No.

Ref No.	Part Number	Part Name	Req	Remarks
		TURBO REPAIR KIT		
	3802007	Kit, Tur Repair	1	
		MAIN BEARING KITS		
	3802070	Set, Main Bearing	1	Standard
	3802071	Set, Main Bearing	1	0.25mm Oversize
	3802072	Set, Main Bearing	1	0.50mm Oversize
	3802073	Set, Main Bearing	1	0.75mm Oversize
	3802074	Set, Main Bearing	1	1.00mm Oversize
	3802082	Bearing, Crankshaft Thrust	1	.5mm Oversize Bore/.5mm Oversize Thrust
	3802084	Bearing, Crankshaft Thrust	1	1.0mm Oversize Bore/1.0mm Oversize Thrust
		PISTON KITS		
				CPL 596, 714, 791, 845 Naturally Aspirated
	3802060	Kit, Engine Piston	6	Standard
	3802062	Kit, Engine Piston	6	.5mm Oversize
	3802064	Kit, Engine Piston	6	1.0mm Oversize
				CPL 728 Turbocharged
	3802090	Kit, Engine Piston	6	Standard
	3802092	Kit, Engine Piston	6	.5mm Oversize
	3802094	Kit, Engine Piston	6	1.0mm Oversize
				CPL 599, 715, 998 Turbocharged
	3802100	Kit, Engine Piston	6	Standard
	3802102	Kit, Engine Piston	6	.5mm Oversize
	3802104	Kit, Engine Piston	6	1.0mm Oversize
				CPL 729, 761, 938, 943, 949, 950 Turbocharged
	3802160	Kit, Engine Piston	6	Standard
	3802132	Kit, Engine Piston	6	.5mm Oversize
	3802134	Kit, Engine Piston	6	1.0mm Oversize
		PISTON RING SETS		
				CPL 599, 715, 728, 729, 761, 938, 943, 949, 950 Turbocharged/ Aftercooled
	3802050	Set, Piston Ring	6	Standard
	3802052	Set, Piston Ring	6	.5mm Oversize
	3802054	Set, Piston Ring	6	1.0mm Oversize
				CPL 596, 714, 791, 845 Naturally Aspirated
	3802040	Set, Piston Ring	6	Standard
	3802042	Set, Piston Ring	6	.5mm Oversize
	3802044	Set, Piston Ring	6	1.0mm Oversize

INDEX

Part No.	Description	Page No.	Part No.	Description	Page No.
S- 1008-1	Connector, Female	95, 97, 99, 101, 103	3759917	Screw, Hexagon Head Cap	105, 107
			3762259	Ring, Retaining	105, 107
S- 203-A	Nut, Regular Hexagon Jam	55	3802004	Pump, Water	113
S- 205	Nut, Regular Hexagon	7	3802005	Kit, Intake Valve	89
S- 609	Washer Lock	45, 49, 55	3802006	Kit, Exhaust Valve	89
43828-A	Clamp, Hose	95, 97, 99, 101, 103	3802007	Kit, Turbo Repair	105, 107, 119
			3802009	Kit, Injector Bosch	90
101322	Cap, Filler	79	3802026	Set, Upper Engine Gasket	116
108722	Clip	73	3802027	Set, Upper Engine Gasket	117
154916	Gasket, Hydraulic Pump	118	3802028	Set, Upper Engine Gasket	117
195265	Plug, Pipe	71	3802029	Set, Lower Engine Gasket	118
203933	Plug, Expansion	31	3802035	Kit, Injector Bosch	91, 92
210753	Clamp, Hose	95, 97, 99	3802037	Kit, Injector Bosch	90
3007635	Plug, Expansion	11	3802038	Kit, Injector Bosch	91
3008400	Gasket, Lub Oil Pump	18, 118	3802039	Kit, Injector Bosch	90
3008465	Plug, Pipe	89	3802040	Set, Piston Ring	83, 119
3008468	Plug, Pipe	11, 89, 111, 112	3802042	Set, Piston Ring	83, 119
			3802044	Set, Piston Ring	83, 119
3008469	Plug, Pipe	89	3802047	Kit, Delivery Bypass Valve	45, 49
3008690	Clamp, Hose	95, 97, 99, 101, 103	3802050	Set, Piston Ring	82, 84, 85, 119
			3802052	Set, Piston Ring	82, 84, 85, 119
3026396	Clamp, Hose	101, 103	3802054	Set, Piston Ring	82, 84, 85, 119
3027646	Plug, Expansion	11	3802060	Kit, Engine Piston	83, 119
3200782	Plate, Cover	18	3802061	Kit, Injector Bosch	91
3501102	Lockplate	105, 107	3802062	Kit, Engine Piston	83, 119
3501188	Plate, Clamping	105, 107	3802063	Kit, Injector Bosch	92
3501502	Diffuser, Turbocharger	107	3802064	Kit, Engine Piston	83, 119
3501552	Screw, Hexagon Head Set	107	3802070	Set, Main Bearing	13, 119
3502066	Lockplate	105, 107	3802071	Set, Main Bearing	13, 119
3502449	Seal, Rectangular Ring	105, 107	3802072	Set, Main Bearing	13, 119
3502520	Plate, Clamping	107	3802073	Set, Main Bearing	13, 119
3503100	Bearing, Turbocharger	105, 107	3802074	Set, Main Bearing	13, 119
3503335	Nut, Regular Hexagon	105	3802082	Bearing, Crankshaft Thrust	13, 119
3503347	Screw, Flat Head Cap	105, 107	3802084	Bearing, Crankshaft Thrust	13, 119
3503562	Nut, Lock	105, 107	3802090	Kit, Engine Piston	84, 119
3503662	Slinger, Oil	105, 107	3802092	Kit, Engine Piston	84, 119
3503668	Baffle, Oil	105, 107	3802094	Kit, Engine Piston	84, 119
3504649	Impeller, Tur Compressor	107	3802100	Kit, Engine Piston	82, 119
3518004	Washer, Lock	107	3802102	Kit, Engine Piston	82, 119
3518980	Collar, Thrust	105, 107	3802104	Kit, Engine Piston	82, 119
3518987	Bearing, Thrust	105, 107	3802108	Turbocharger	103, 107
3519163	Screw, Drive	105, 107	3802115	Turbocharger	95, 97, 99, 101, 105
3519302	Shield, Turbocharger Heat	105, 107			
3519336	Shaft and Wheel	105, 107	3802132	Kit, Engine Piston	85, 119
3519408	Housing, Turbine	105	3802133	Turbocharger	97, 105
3519409	Housing, Turbine	105, 107	3802134	Kit, Engine Piston	85, 119
3519905	Dataplate	105, 107	3802135	Kit, Injector Bosch	92
3520702	Housing, Tur Bearing	105, 107	3802160	Kit, Engine Piston	85, 119
3521449	Housing, Compressor	107	3818823	Stud	95, 97, 99, 103
3521710	Impeller, Tur Compressor	105	3818824	Nut, Hexagon Flange	95, 103
3521711	Impeller, Tur Compressor	105	3900068	Dowel, Ring	11
3521832	Clamp, V Band	105	3900215	Plug, Threaded	81
3522389	Housing, Compressor	105	3900216	Washer, Sealing	81, 118
3522390	Housing, Compressor	105	3900225	Screw, Hexagon Head Cap	29
3522778	Turbocharger	95, 97, 99, 101, 105	3900227	Screw, Hexagon Head Cap	28, 113
			3900240	Nut, Regular Hexagon	73
3522801	Diffuser, Turbocharger	105	3900242	Ring, Retaining	7
3522827	Screw, Hexagon Head Set	105	3900245	Washer, Plain	7
3523318	Rotor Assembly	105	3900250	Collet, Valve	89
3523321	Rotor Assembly	107	3900257	Dowel, Pin	11
3523755	Rotor Assembly	105	3900267	Seal, O-Ring	15, 16, 59, 61, 63, 65, 118
3523958	Seal, Rectangular Ring	105			
3525103	Turbocharger	103, 107	3900269	Washer, Plain	66, 67
3525669	Turbocharger	97, 105	3900276	Spring, Valve	89
3756754	Seal, Split Ring	105, 107	3900299	Retainer, Valve Spring	89
3758848	Seal, Split Ring	105, 107	3900589	Nut, Hexagon Flange	35, 36
3759526	Screw, Hexagon Head Set	107	3900620	Screw, Hexagon Head Cap	22, 86

INDEX

Part No.	Description	Page No.	Part No.	Description	Page No.
3900621	Screw, Hexagon Head Cap	22	3902332	Key, Plain Woodruff	45, 49, 55, 86
3900627	Screw, Hexagon Head Cap	34	3902338	Valve, Pressure Relief	71
3900629	Screw, Hexagon Head Cap	5, 65, 73, 81	3902343	Dowel, Ring	11
3900630	Screw, Hexagon Head Cap	15, 16, 21, 35, 36, 59, 61, 56, 95, 97, 99	3902347	Manifold, Exhaust	97, 103
3900631	Screw, Hexagon Head Cap	19, 71	3902363	Seal, Rectangular Ring	116, 117
3900632	Screw, Hexagon Head Cap	5	3902425	Washer, Sealing	71, 81, 116, 117, 118
3900633	Screw, Hexagon Head Cap	78	3902460	Screw, Hexagon Head Cap	115
3900677	Screw, Hexagon Head Cap	26, 27, 29	3902501	Stud	35, 36
3900678	Screw, Hexagon Head Cap	11	3902604	Cover, Valve	110
3900687	Plug, Expansion	7	3902606	Plug, Expansion	89
3900706	Screw, Slotted Set	90, 91, 92, 116, 117	3902666	Gasket, Valve Cover	110, 116, 117
3900808	Seal, Injector	82, 83, 84, 85	3902709	Pulley, Fan	27
3900919	Screw, Connecting Rod Cap	11, 73, 75, 77	3902710	Pulley, Fan	26, 29
3900955	Plug, Expansion	11	3903035	Screw, Banjo Connector	56
3900956	Plug, Expansion	11	3903037	Washer, Plain	31, 45, 49, 56, 116, 117
3900958	Plug, Expansion	11	3903089	Brace, Alternator	22
3900965	Plug, Expansion	11	3903090	Belt, V Ribbed	25
3900967	Cap, Main Bearing	11	3903095	Screw, Flat Head Cap	23, 24, 25
3901019	Gasket, Rear Cover	34, 118	3903096	Screw, Hexagon Head Cap	19
3901020	Nozzle, Piston Cooling	11, 118	3903097	Belt, V Ribbed	23
3901090	Bearing, Main	13	3903099	Belt, V Ribbed	24
3901091	Bearing, Main	13	3903102	Connection, Water Inlet	111
3901092	Bearing, Main	13	3903103	Connection, Water Inlet	112
3901093	Bearing, Main	13	3903200	Screw, Hexagon Head Cap	69
3901094	Bearing, Main	13	3903221	Pulley, Accessory	29
3901097	Seal, Valve Stem	89, 116, 117	3903234	Hose, Elbow	95, 97, 99
3901117	Valve, Intake	89	3903242	Bushing, Camshaft	11
3901150	Bearing, Main	13	3903261	Spring, Compression	71
3901151	Bearing, Main	13	3903282	Housing, Flywheel	34
3901152	Bearing, Main	13	3903293	Nut, Regular Hexagon	31
3901153	Bearing, Main	13	3903301	Gasket, Thrm Hsg Cover	19, 116, 117
3901154	Bearing, Main	13	3903331	Screw, Hexagon Head Cap	95, 97, 99
3901170	Bearing, Con Rod	82, 83, 84, 85	3903380	Seal, Banjo Connector	59, 61, 63, 65, 90, 91, 92, 45, 49
3901171	Bearing, Con Rod	82, 83, 84, 85	3903382	Adapter, Tube	45, 49
3901172	Bearing, Con Rod	82, 83, 84, 85	3903391	Hose, Molded	95, 97, 99
3901173	Bearing, Con Rod	82, 83, 84, 85	3903410	Filter, Fuel	31
3901174	Bearing, Con Rod	82, 83, 84, 85	3903463	Cover, Access Hole	5
3901204	Block, Cylinder	11	3903475	Seal, Rectangular Ring	5, 118
3901221	Screw, Hexagon Head Cap	7	3903486	Tube, Fuel Supply	59, 65
3901249	Screw, Hexagon Head Cap	18, 79	3903487	Tube, Fuel Supply	59, 65
3901258	Gear, Crankshaft	13	3903488	Tube, Fuel Supply	59, 65
3901288	Pan, Oil	81	3903489	Tube, Fuel Supply	59, 65
3901306	Bushing, Camshaft	11	3903490	Tube, Fuel Supply	59, 65
3901326	Manifold, Exhaust	114	3903520	Tube, Fuel Supply	61
3901356	Gasket, Turbocharger	95, 97, 99, 101, 103, 105, 107, 66, 67	3903527	Tube, Fuel Supply	61
3901395	Screw, Hexagon Head Cap	5	3903528	Tube, Fuel Supply	61
3901446	Screw, Hexagon Head Cap	82, 83, 84, 85	3903529	Tube, Fuel Supply	61
3901567	Rod, Engine Connecting	82, 83, 84, 85	3903531	Tube, Fuel Supply	61
3901569	Rod, Engine Connecting	82, 83, 84, 85	3903532	Tube, Fuel Supply	61
3901607	Valve, Exhaust	89	3903569	Seal, Shaft	45, 49
3901683	Manifold, Exhaust	95, 101	3903570	Gasket, Delivery Valve	45, 49
3901706	Ring, Retaining	82, 83, 84, 85	3903572	Screw, Vent	45, 49
3901757	Screw, Hexagon Head Cap	111, 112	3903573	Gasket, Vent Screw	45, 49
3901761	Support, Camshaft Thrust	86	3903575	Kit, Solenoid	45, 49
3901774	Gear, Flywheel Ring	66, 67	3903576	Kit, Solenoid	45, 49
3901793	Pin, Piston	82, 83, 84, 85	3903577	O'Ring	45, 49
3901804	Hose, Plain	95, 97, 99, 101, 103	3903582	Piston, Engine	84
3901805	Gasket, Oil Drain	95, 97, 99, 101, 103, 105, 107, 101	3903609	Screw, Hexagon Head Cap	59, 61, 63, 65
3901961	Nut, Regular Hexagon	68, 101, 103, 116, 117	3903640	Filter, Fuel	31
3902002	Gasket, Int Manifold Cover	101	3903652	Clamp, V Band	115
3902295	Head, Lube Oil Filter	71	3903723	Washer, Plain	59, 61, 63, 65
			3903728	Washer, Plain	30, 116, 117
			3903729	Screw, Banjo Connector	30
			3903738	Nut, Regular Hexagon	45, 49

INDEX

Part No.	Description	Page No.	Part No.	Description	Page No.
3903744	Tube, Tur Oil Drain	95, 97, 99, 101, 103	3904646	Bolt, Banjo	55
3903745	Hose, Plain	95, 97, 99, 101, 103	3904647	Cover, Inspection	55
3903749	Pump, Water	113	3904648	Gasket, Cover	55
3903756	Housing, Thermostat	19	3904649	Bolt, Cover	55
3903757	Bracket, Lifting	19	3904650	Assembly, Screw	55
3903761	Brace, Exh Outlet Conn	115	3904651	Assembly, Screw	55
3903794	Cover, Gear	5	3904652	Filter, Inlet	55
3903818	Spacer, Fan	109	3904653	Washer, Vent Screw	55
3903819	Spacer, Fan	109	3904654	Washer, Copper	55
3903834	Screw, Twelve Point Cap	108	3904655	Cap, Sealing	55
3903845	Adapter, Filter Head	31	3904672	Cover, Push Rod	15
3903846	Seal, O'Ring	116, 117	3904679	Rod, Push	7
3903857	Screw, Twelve Point Cap	17	3904690	Plate, Clamping	28
3903924	Pin, Timing	5	3904726	Pump, Fuel Injection	47
3903927	Seal, O'Ring	5, 118	3904727	Pump, Fuel Injection	47
3903938	Screw, Hexagon Head Cap	89	3904728	Pump, Fuel Injection	47
3903939	Screw, Hexagon Head Cap	89	3904731	Pump, Fuel Injection	47
3903940	Screw, Hexagon Head Cap	7	3904776	Gasket, Push Rod Cover	15, 16, 118
3904044	Gasket, Cover Plate	56, 118	3904777	Spring, Solenoid	55
3904089	Seal, Oil	34	3904778	Screw, Cap	55
3904105	Insert, Valve	89	3904779	Washer	55
3904166	Sleeve, Salvage	11	3904780	Seal	55
3904181	Plug, Threaded	34	3904781	Guide, Spring	55
3904217	Screw, Hexagon Head Cap	11	3904782	Screw, Low Idle Stop	45, 49
3904230	Clamp, Spring Hose	16	3904783	Nut, Idle Screw Hexagon	45, 49
3904341	Screw, Hexagon Head Cap	59, 61, 63, 65, 68, 101, 103	3904784	Screw, Timing Lock	45, 49
3904353	Seal, Oil	5, 118	3904785	O'Ring, Timing Lock	45, 49
3904362	Head, Fuel Filter	31	3904786	Plate, Timing Lock	45, 49
3904369	Bushing, Camshaft	11	3904849	Ring, Retaining	5
3904374	Pump, Fuel Transfer	56	3904981	Fan, Alternator	20
3904386	Plug, Threaded	71, 81	3905125	Kit, Solenoid	55
3904408	Guide, Valve Stem	89	3905130	Kit, Solenoid	45, 49
3904409	Guide, Valve Stem	89	3905131	Kit, Solenoid	45, 49
3904422	Hose, Plain	101, 103	3905202	Connection, Tur Oil Drain	97, 103
3904427	Gasket, Oil Cooler Core	71, 118	3905218	Gasket, Tachometer	118
3904445	Motor, Starting	108	3905307	Screw, Banjo Connector	59, 61, 63, 65
3904446	Screw, Hexagon Head Cap	95, 97, 99, 101, 103, 114	3905313	Brace, Fuel Pump	36
3904483	Pin, Roll	13	3905351	Seal, Grommet	32, 33
3904519	Brace, Tube	59, 61, 63, 65	3905353	Tee, Male Union	32
3904520	Isolator, Vibration	59, 61, 63, 65	3905354	Connection, Tur Oil Drain	95, 101
3904535	Pump, Fuel Injection	43	3905363	Tube, Fuel Supply	32
3904537	Pump, Fuel Injection	43	3905364	Tube, Fuel Supply	32
3904544	Pump, Fuel Injection	47	3905375	Tube, Fuel Supply	32
3904545	Pump, Fuel Injection	47	3905387	Brace, Fuel Pump	35
3904548	Bracket, Belt Tensioner	24	3905388	Tee, Male Union	59, 61, 63, 65
3904549	Bracket, Belt Tensioner	25	3905391	Seal, Grommet	30, 59, 61, 63, 65
3904550	Bracket, Belt Tensioner	23	3905417	Stud	101
3904630	Kit, Solenoid	55	3905425	Tube, Oil Gauge	73, 75, 77
3904631	Kit, Throttle Lever	55	3905426	Screw, Hexagon Head Cap	23, 24
3904632	Lever, Shutoff	55	3905440	Tube, Oil Filler	79
3904633	Spring, Shutoff	55	3905443	Gasket, Exhaust Manifold	95, 97, 99, 101, 103, 114, 116,
3904634	Locknut	55	3905465	Screw, Banjo Connector	45, 49
3904635	O'Ring, Solenoid	55	3905468	Gasket, Flange	81, 118
3904636	Washer	55	3905491	Head, Fuel Filter	31
3904637	Screw, Idle Set	55	3905595	Gasket, Timing Housing	118
3904638	Washer, Flat	55	3905616	Flywheel	66
3904639	Nut, Self Locking	55	3905639	Tube, Aftercooler	89
3904640	Orifice, Bleed	55	3905685	Gasket, Fuel Pump	35, 36, 118
3904641	Fitting, Inlet	55	3905692	Tube, Fuel Drain	59, 61, 63, 65
3904642	Washer, Copper Inlet	55	3905695	Bracket	55
3904643	Fitting, Return	55	3905696	Bracket	45, 49
3904644	Washer, Sealing	55	3905705	Tube, Fuel Drain	65
3904645	Fitting, Banjo	55	3905707	Tube, Fuel Drain	59
			3905709	Tube, Fuel Drain	61, 63
			3905786	Dipstick	75, 77

INDEX

Part No.	Description	Page No.	Part No.	Description	Page No.
3905801	Tube, Oil Gauge	73	3907277	Tube, Fuel Supply	63
3905802	End, Oil Gauge	73	3907431	Gear, Camshaft	86
3905803	Brace, Tube	73	3907475	Nut	45, 49
3905810	Block, Cylinder	11	3907476	Spring	45, 49
3905813	Kit, Block Hardware	11	3907477	Shim	45, 49
3905831	Flywheel	66	3907478	Lockwasher	45, 49
3905860	Screw, Banjo Connector	31	3907479	Lever, Splined	45, 49
3905933	Housing, Timing	5	3907480	Nut	45, 49
3906033	Tube, Fuel Supply	61	3907481	Lockwasher	45, 49
3906034	Tube, Fuel Supply	61	3907482	Blade, Terminal	45, 49
3906035	Tube, Fuel Supply	61	3907485	Washer, Fiber	55
3906036	Tube, Fuel Supply	61	3907486	Gasket	55
3906037	Tube, Fuel Supply	61	3907487	O'Ring	55
3906038	Tube, Fuel Supply	61	3907488	Washer	55
3906080	Sleeve, Wear	13	3907489	O'Ring	55
3906081	Sleeve, Wear	13	3907490	Gasket	55
3906206	Guide, Valve Stem	89	3907491	O'Ring	55
3906208	Piston, Engine	83	3907492	Washer	55
3906209	Piston, Engine	83	3907493	Spring	55
3906210	Gasket, Connection	95, 97, 99	3907494	Spring	55
3906223	Piston, Engine	83	3907495	Spring	55
3906230	Bearing, Crankshaft Thrust	13	3907496	Spring	55
3906231	Bearing, Crankshaft Thrust	13	3907497	Checkball	55
3906232	Bearing, Crankshaft Thrust	13	3907537	Washer, Spring	81
3906233	Bearing, Crankshaft Thrust	13	3907555	Plug, Expansion	7
3906234	Bearing, Crankshaft Thrust	13	3907582	Tube, Fuel Supply	56
3906414	Pump, Lubricating Oil	78	3907586	Baffle, Breather	15, 16
3906452	Bearing, Crankshaft Thrust	13	3907643	Pump, Fuel Injection	47
3906454	Bearing, Crankshaft Thrust	13	3907681	Dipstick	73
3906526	Cover, Rear	34	3907804	Crankshaft, Engine	13
3906584	Brace, Tube	59, 61, 63, 65	3907811	Tube, Fuel Supply	59, 65
3906610	Dataplate	2	3907812	Tube, Fuel Supply	59, 65
3906619	Plug, Pipe	11, 71, 95, 97, 99	3907813	Tube, Fuel Supply	59, 65
3906651	Brace, Tube	59, 61, 63, 65	3907814	Tube, Fuel Supply	59, 65
3906660	Manifold, Exhaust	99	3907815	Tube, Fuel Supply	59, 65
3906693	Seal, Rectangular Ring	5, 118	3907816	Tube, Fuel Supply	59, 65
3906694	Seal, Rectangular Ring	31, 116, 117	3907824	Camshaft	86
3906695	Seal, Rectangular Ring	31	3907836	Gasket, Gear Housing	5, 118
3906696	Seal, Rectangular Ring	79, 118	3907860	Screw, Hexagon Head Cap	81
3906697	Seal, Rectangular Ring	111, 112, 118	3907998	Screw, Round Head Cap	5
3906698	Seal, Rectangular Ring	113, 118	3908032	Crankshaft, Engine W/Gear	13
3906773	Washer, Sealing	116, 117	3908035	Piston, Engine	84
3906854	Insert, Valve	89	3908036	Piston, Engine	84
3906912	Connection, Tur Oil Drain	99	3908049	Hose, Plain	16
3906914	Tube, Air	99	3908084	Cover, Intake Manifold	68
3906918	Connection, Air Crossover	95, 99	3908086	Cover, Intake Manifold	101, 103
3906972	Pipe, Air Inlet	103	3908095	Plate, Cover	34
3906973	Pipe, Air Inlet	101	3908096	Gasket, Cover Plate	118
3907036	Gasket, Intake Manifold	95, 97	3908118	Bracket, Lifting	69
3907049	Screw, Hexagon Head Cap	110	3908166	Pump, Fuel Injection	39
3907057	Gasket, Cylinder Head	89, 116	3908198	Pump, Fuel Injection	43
3907058	Gasket, Cylinder Head	89, 117	3908199	Pump, Fuel Injection	43
3907059	Gasket, Cylinder Head	89, 117	3908200	Pump, Fuel Injection	41
3907156	Piston, Engine	82	3908201	Pump, Fuel Injection	41
3907157	Piston, Engine	82	3908203	Pump, Fuel Injection	39
3907158	Piston, Engine	82	3908204	Pump, Fuel Injection	39
3907163	Piston, Engine	85	3908206	Pump, Fuel Injection	41
3907167	Coupling, Plain Hose	95, 97, 99	3908207	Pump, Fuel Injection	39
3907168	Tube, Aftercooler	95, 97, 99	3908208	Pump, Fuel Injection	43
3907169	Hose, Plain	95, 97, 99	3908209	Pump, Fuel Injection	41
3907240	Tappet, Valve	8	3908211	Pump, Fuel Injection	39
3907272	Tube, Fuel Supply	63	3908212	Pump, Fuel Injection	39
3907273	Tube, Fuel Supply	63	3908214	Pump, Fuel Injection	43
3907274	Tube, Fuel Supply	63	3908216	Pump, Fuel Injection	41
3907275	Tube, Fuel Supply	63	3908217	Pump, Fuel Injection	39
3907276	Tube, Fuel Supply	63	3908219	Pump, Fuel Injection	47
			3908324	Pump, Fuel Injection	41

INDEX

Part No.	Description	Page No.	Part No.	Description	Page No.
3908440	Pump, Injection Cav	51	3910808	Lever, Rocker	7
3908560	Pulley, Alternator	22	3910809	Lever, Rocker	7
3908563	Retainer, Pulley	22	3910810	Lever, Rocker	7
3908612	Screw, Drive	2	3910811	Lever, Rocker	7
3908615	Cartridge, Lube Oil Filter	71	3910813	Shaft, Rocker Lever	7
3908648	Pump, Injection Cav	51	3910814	Support, Rocker Lever	7
3908649	Pump, Injection Cav	51	3910815	Support, Rocker Lever	7
3908650	Pump, Injection Cav	53	3910816	Support, Rocker Lever	7
3908661	Pump, Injection Cav	53	3910824	Seal, O-Ring	110, 116, 117
3908663	Pump, Injection Cav	51	3910991	Pipe, Exhaust Outlet	115
3908664	Pump, Injection Cav	51	3911185	Injector, Bosch	91
3908665	Pump, Injection Cav	53	3911221	Flywheel	66
3908666	Pump, Injection Cav	51	3911223	Flywheel	66
3908673	Pump, Injection Cav	53	3911235	Hose, Flexible	99
3908765	Lever, Control	45, 49	3911331	Gear, Fuel Pump	35, 36
3908775	Connection, Air Crossover	97	3911422	Damper, Rubber Vibration	17
3908776	Tube, Air	97	3911424	Flywheel	67
3908815	Piston, Engine	85	3911425	Flywheel	67
3908816	Piston, Engine	85	3911461	Alternator	20
3908971	Pump, Injection Cav	53	3911536	Gasket, Oil Pan	81, 118
3908973	Pump, Injection Cav	51	3911822	Cover, Push Rod	16
3908974	Pump, Injection Cav	53	3911940	Core, Cooler	71
3908975	Pump, Injection Cav	53	3912072	Screw, Hexagon Head Cap	34
3908985	Union, Male	33	3912220	Gasket, Exh Out Conn	116, 117
3908988	Tube, Fuel Supply	33	3912246	Tensioner, Belt	23, 24, 25
3909356	Seal, Rectangular Ring	90, 91, 92	3912473	Seal, O-Ring	34, 118
3909374	Tube, Lub Oil Suction	81	3912478	Injector, Bosch	92
3909376	Plunger, Prs Regulator	71	3912559	Pump, Fuel Injection	39
3909394	Draincock	95, 97, 99	3912587	Thermostat	19
3909395	Clamp, Spring	73	3912638	Gasket, Filter Head	71, 118
3909410	Kit, Seal	34, 118	3912772	Retainer, Belt	5
3909438	Tube, Fuel Supply	59, 65	3912782	Injector, Bosch	92
3909464	Injector, Bosch	90	3912784	Tube, Fuel Supply	33
3909475	Injector, Bosch	90	3912826	Pump, Fuel Injection	41
3909476	Injector, Bosch	91, 92	3912898	Heater, Engine	14
3909522	Injector, Bosch	91	3913106	Cable, Engine	14
3909532	Injector, Bosch	90	3914029	Gasket, Intake Manifold	99
3909547	Hose, Flexible	97, 103	3918824	Nut, Regular Hexagon	97, 99
3909548	Hose, Flexible	95, 101			
3909670	Clip	15, 16			
3909696	Manifold, Fuel	59, 61, 63, 65			
3909888	Support, Fan	27			
3909889	Support, Fan	26			
3909890	Support, Fan	29			
3909961	Support, Alternator	21			
3909974	Head, Cylinder	89			
3910004	Tube, Air Fuel Control	30			
3910248	Plug, O-Ring	34			
3910250	Pump, Fuel Injection	43			
3910251	Pump, Fuel Injection	43			
3910252	Pump, Fuel Injection	41			
3910260	Seal, O-Ring	34			
3910265	Elbow, Male Adapter	30			
3910276	Head, Cylinder	89			
3910282	Aftercooler	95, 97, 99			
3910411	Housing, Gear	5			
3910500	Gasket, Gear Cover	5, 118			
3910517	Seal, O-Ring	14			
3910527	Screw, Hexagon Head Cap	22			
3910540	Screw, Hexagon Head Cap	34			
3910713	Support, Alternator	22			
3910715	Spacer, Mounting	22			
3910778	Decal	95, 97, 99			
3910794	Fitting, Bypass Valve	45, 49			
3910795	Valve, Bypass	45, 49			
3910796	Spring	45, 49			
3910797	Shim	45, 49			

Cummins Engine Company, Inc.
Box 3005
Columbus, Indiana, U.S.A., 47202
Cable: CUMDIEX COLUMBUS

Registered Office
Cummins Engine Company, Ltd.
46-50 Coombe Road
New Malden,
Surrey KT3 4QL,
England
Cable: CUMEUR G
Registration No. 573951 England
Copyright© 1988
Cummins Engine Company, Inc.