

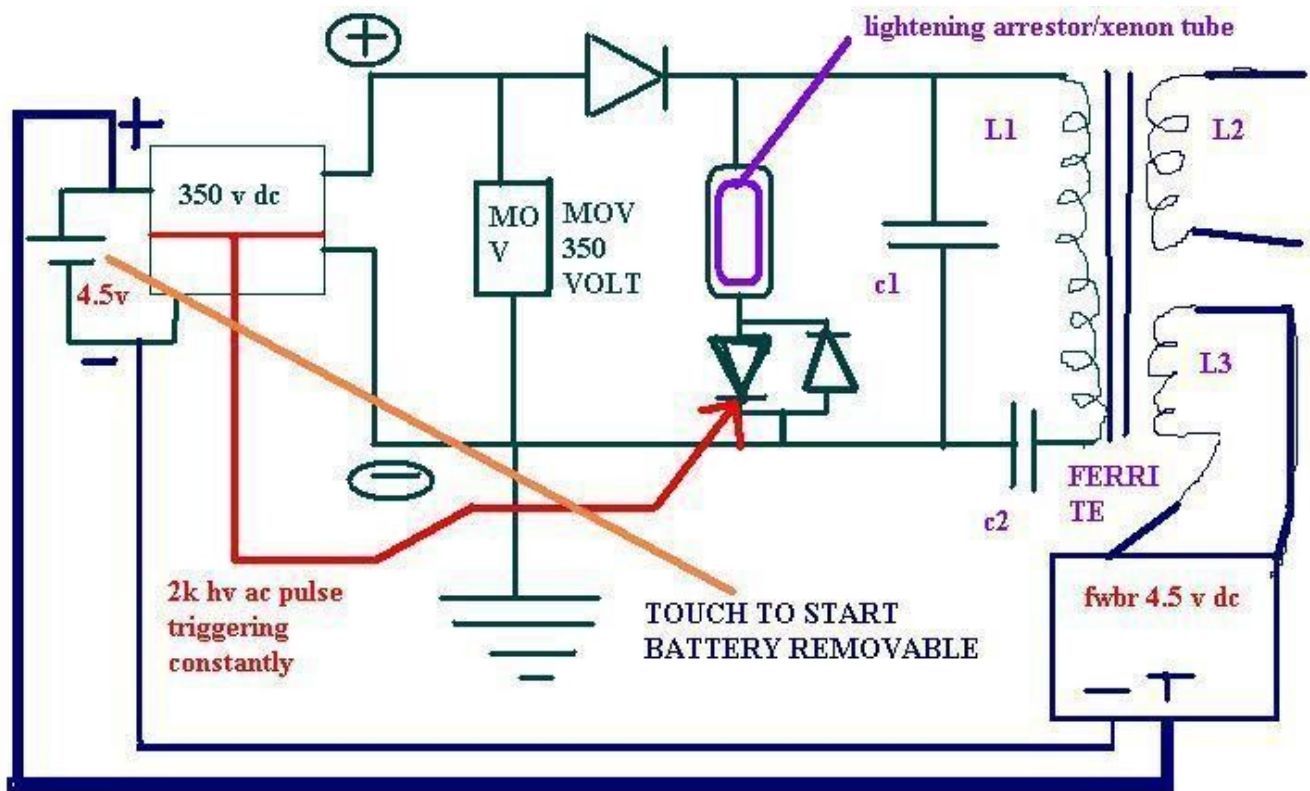
Assembled by David Fine (Slovenia)

Zilano

Diagrams & Circuits

Don Smith Device

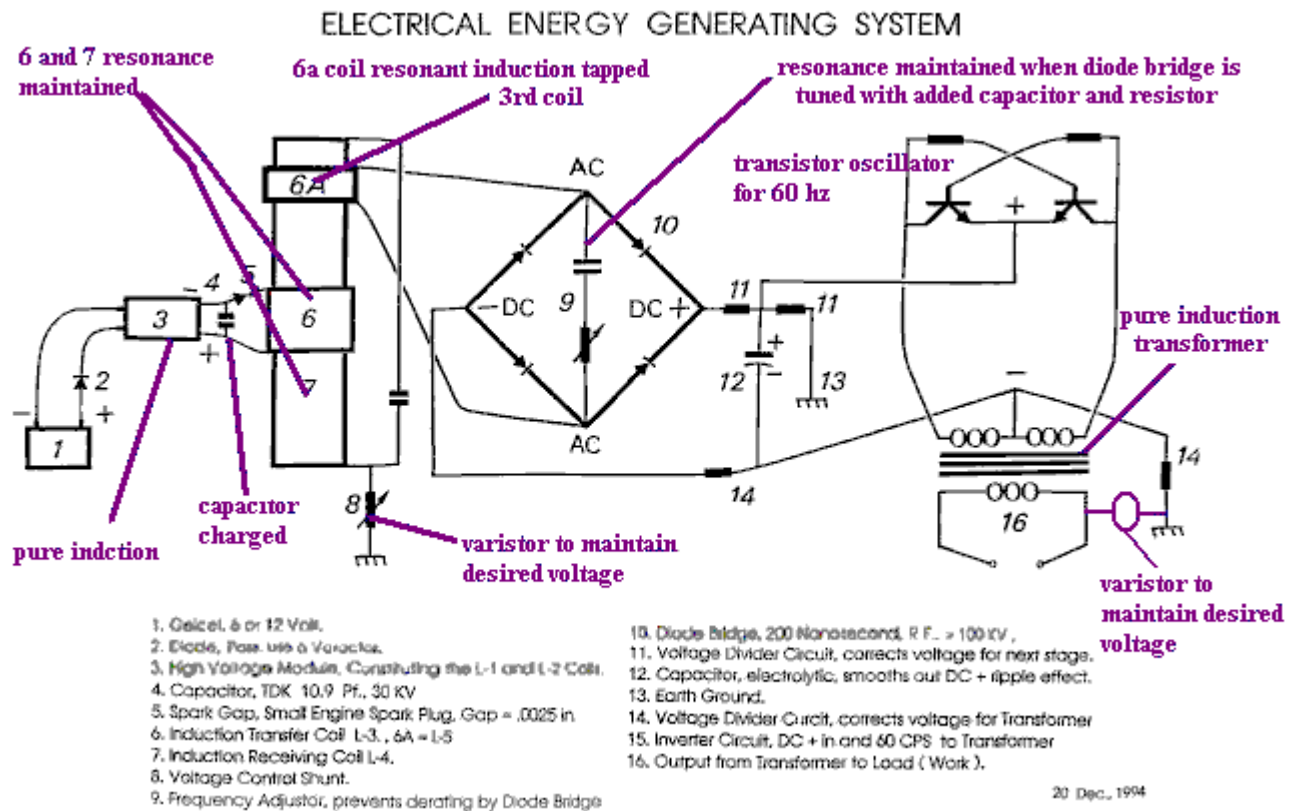
Zilano Final Disclosure



FINAL DISCLOSURE
350 VOLT LOW DC VOLTAGE AS STANDBY. HV TRIGGER PULSE STARTS RESONANCE BY SWITCHING LIHTENING DISCHARGE TUBE/XENON TUBE SWITCHING AT HIGH FREQUENCY. MOV MAINTAINS 350 VOLT AND SAVES HF OSCILLATOR. AND LF OSCILLATOR.

Don Smith Circuit

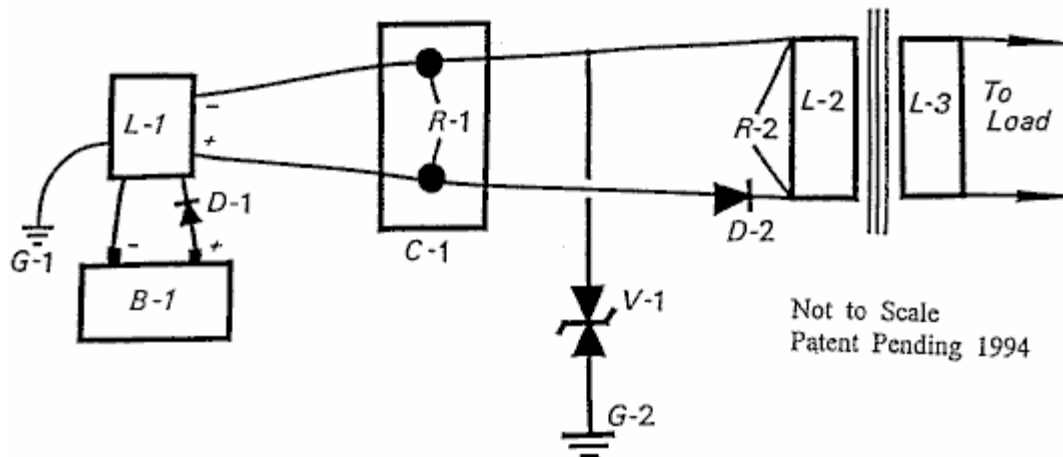
Small Suitcase Model demonstrated at the 1996 Tesla Convention
 , presented as Don Smith's Workshop
 Copied from Patrick Kelly's Chapter 3



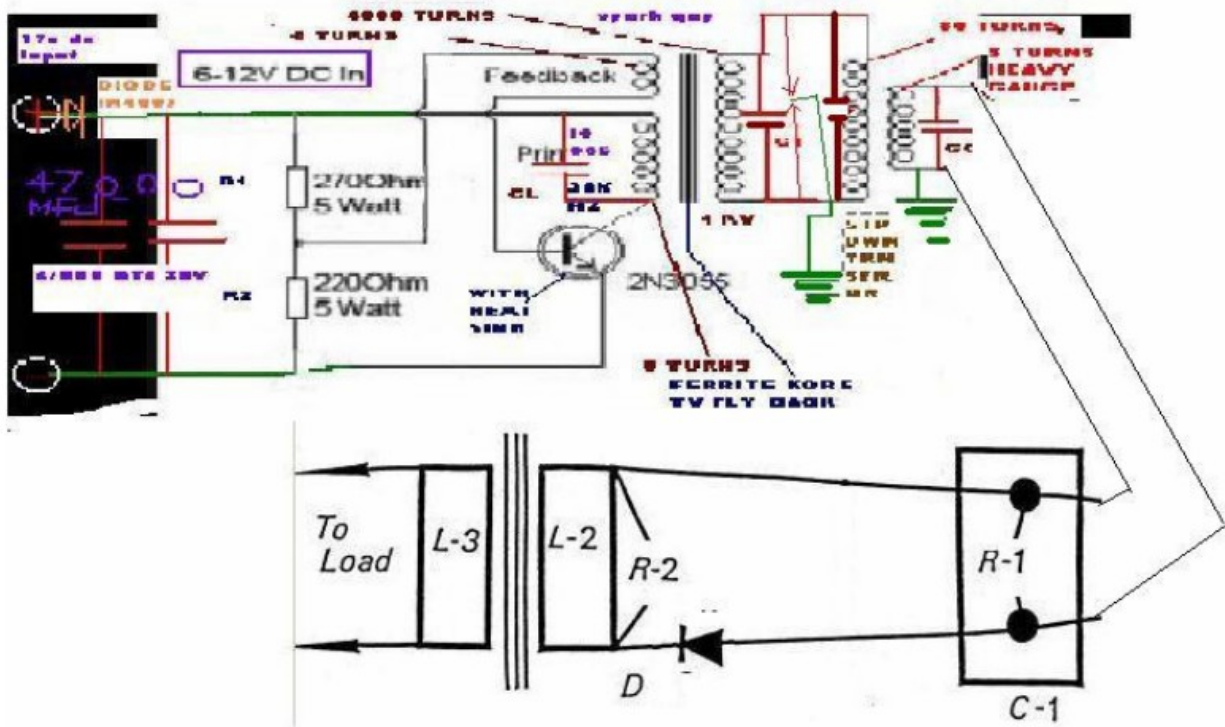
Resonate Electromagnetic Power System

Copied from Patrick Kelly's Book Chapter 3

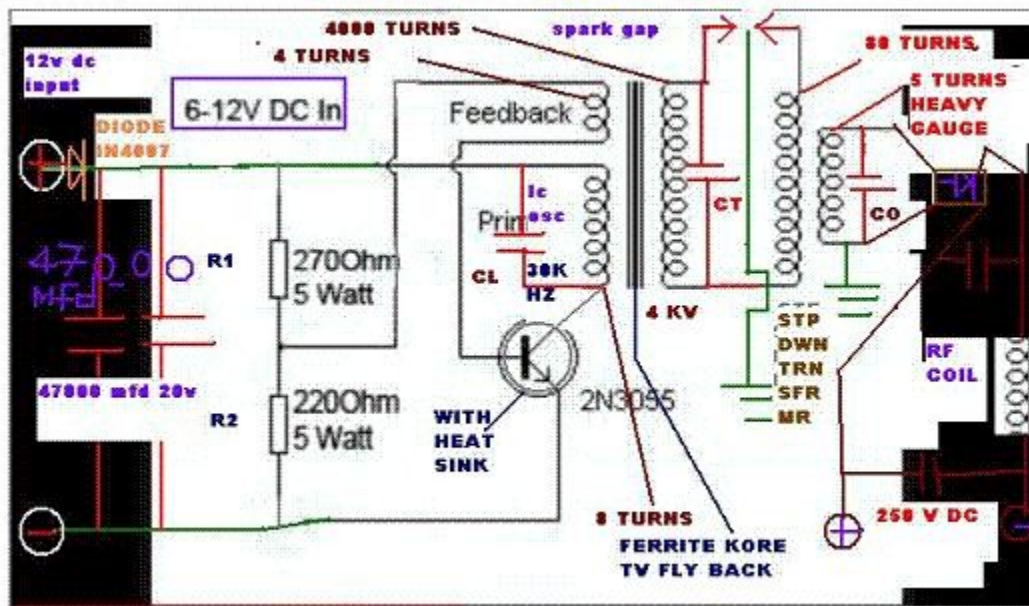
RESONATE ELECTROMAGNETIC POWER SYSTEM



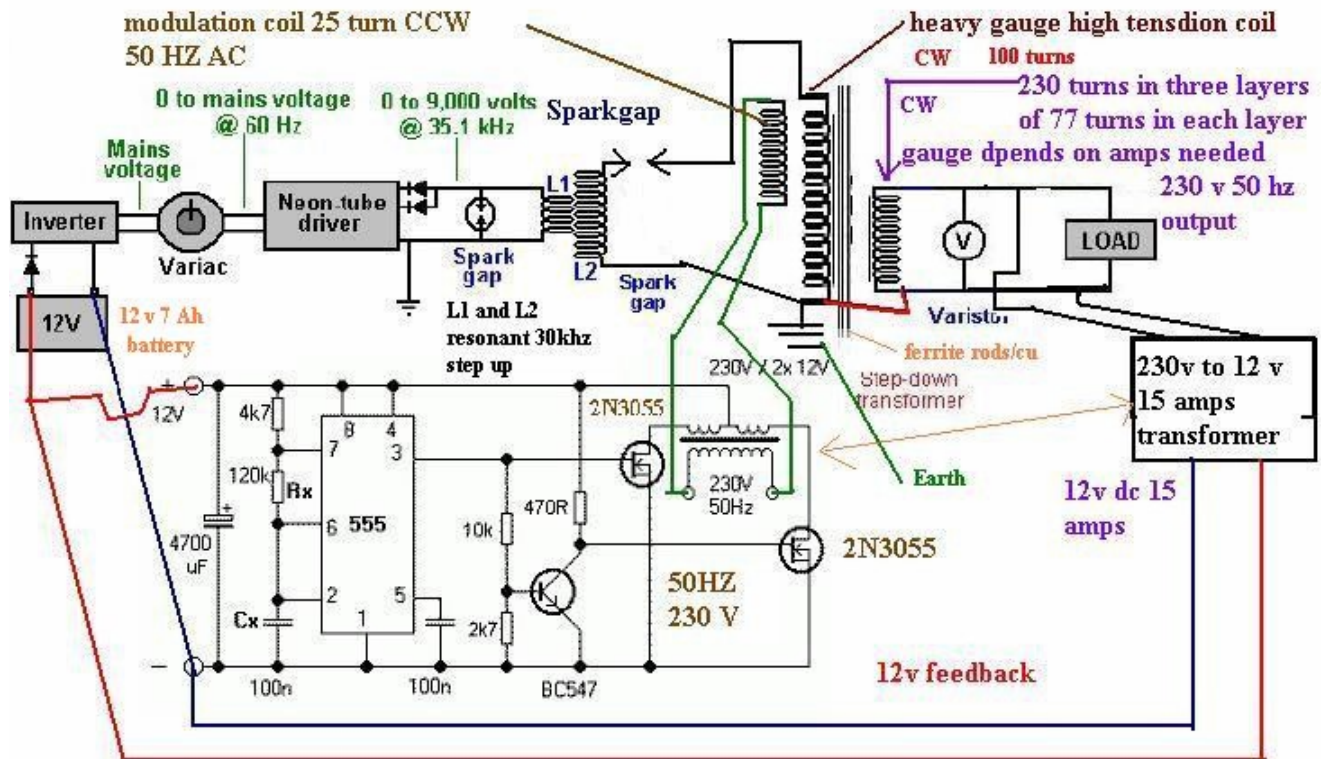
Zilano Altered Circuit



Zilano Circuit

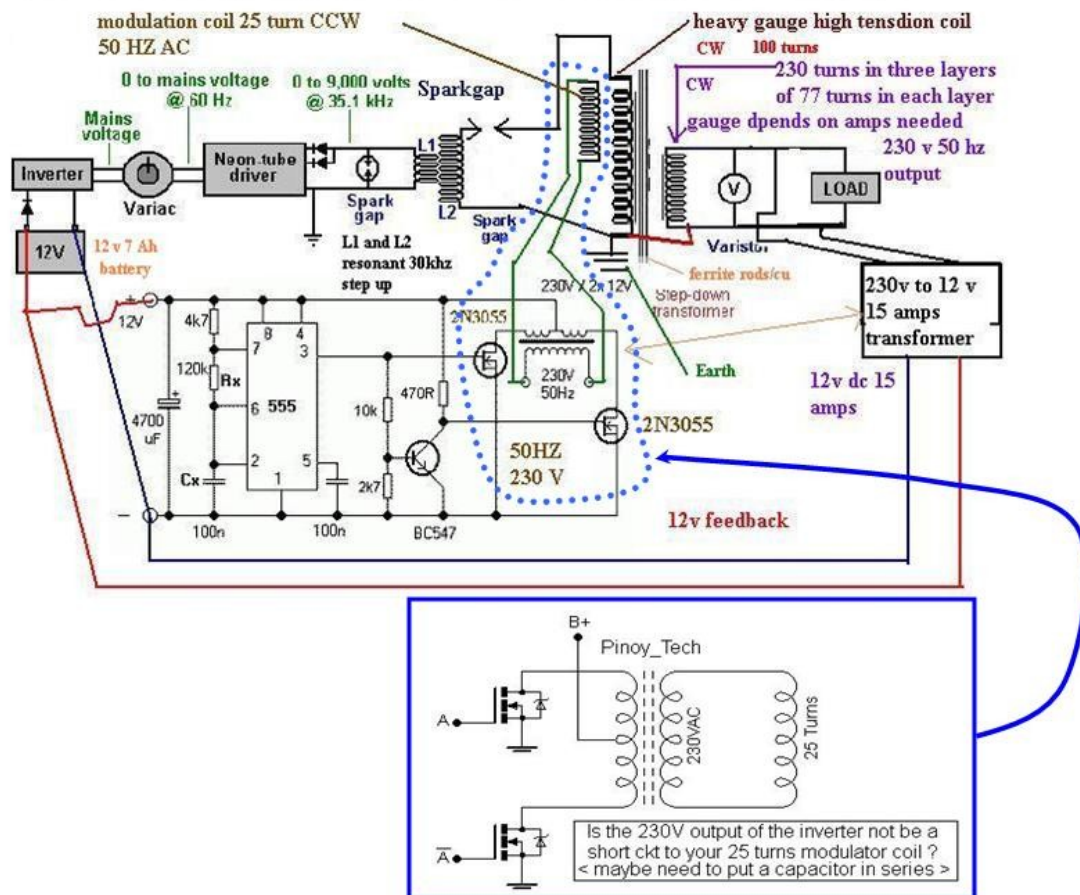


CHEAPEST DON POWER WITH 50 HZ OUTPUT WITH HIGH AMPS---ZILANO ZEIS ZANE

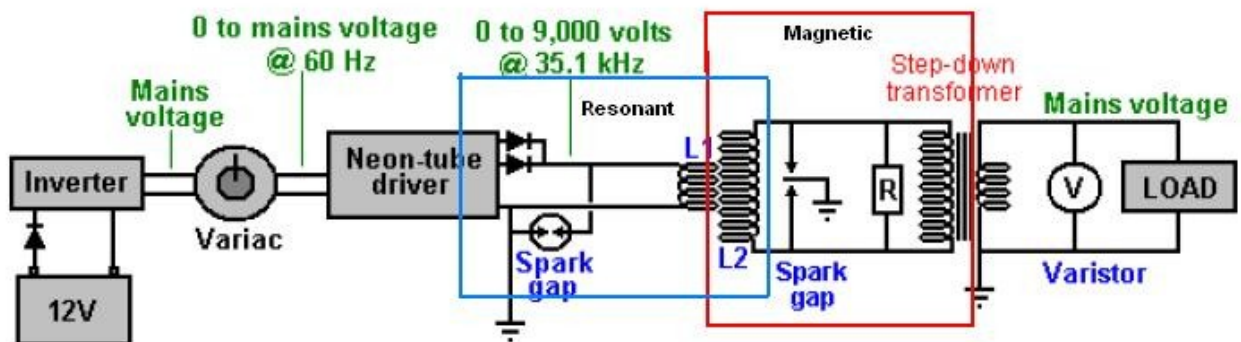


Zilano's Cheapest Don Power Circuit

CHEAPEST DON POWER WITH 50 HZ OUTPUT WITH HIGH AMPS--ZILANO ZEIS ZANE

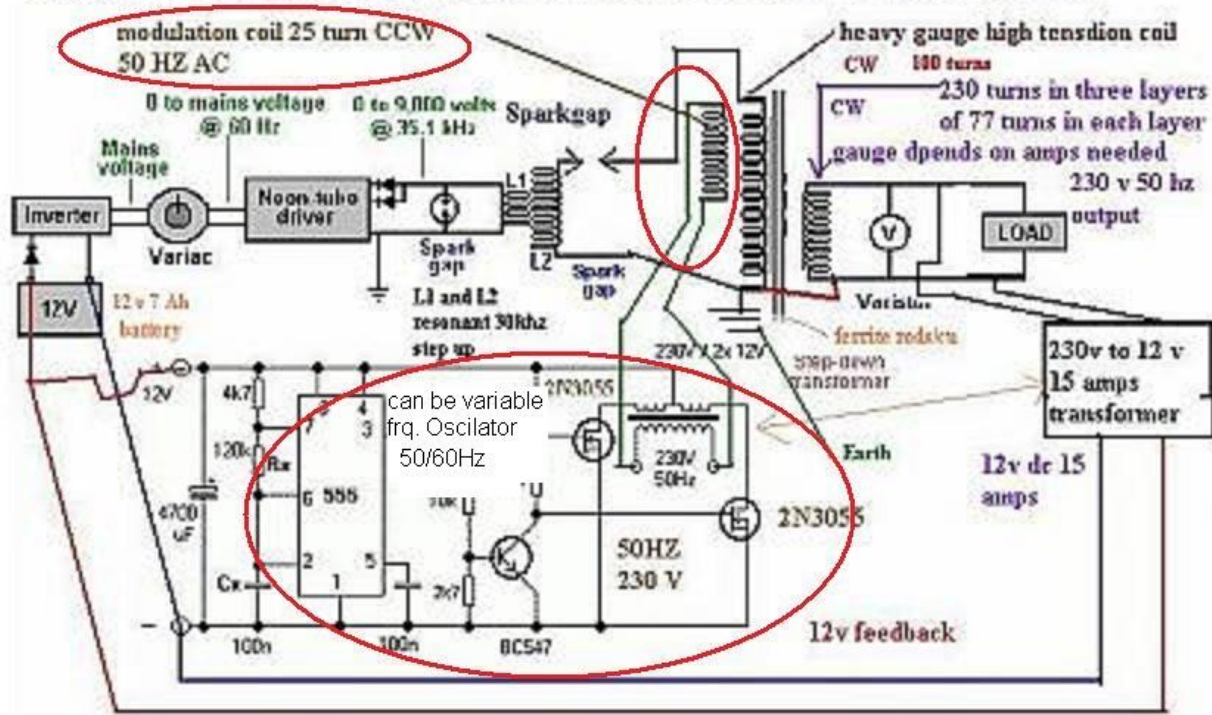


Don Smith Elaborate Circuit

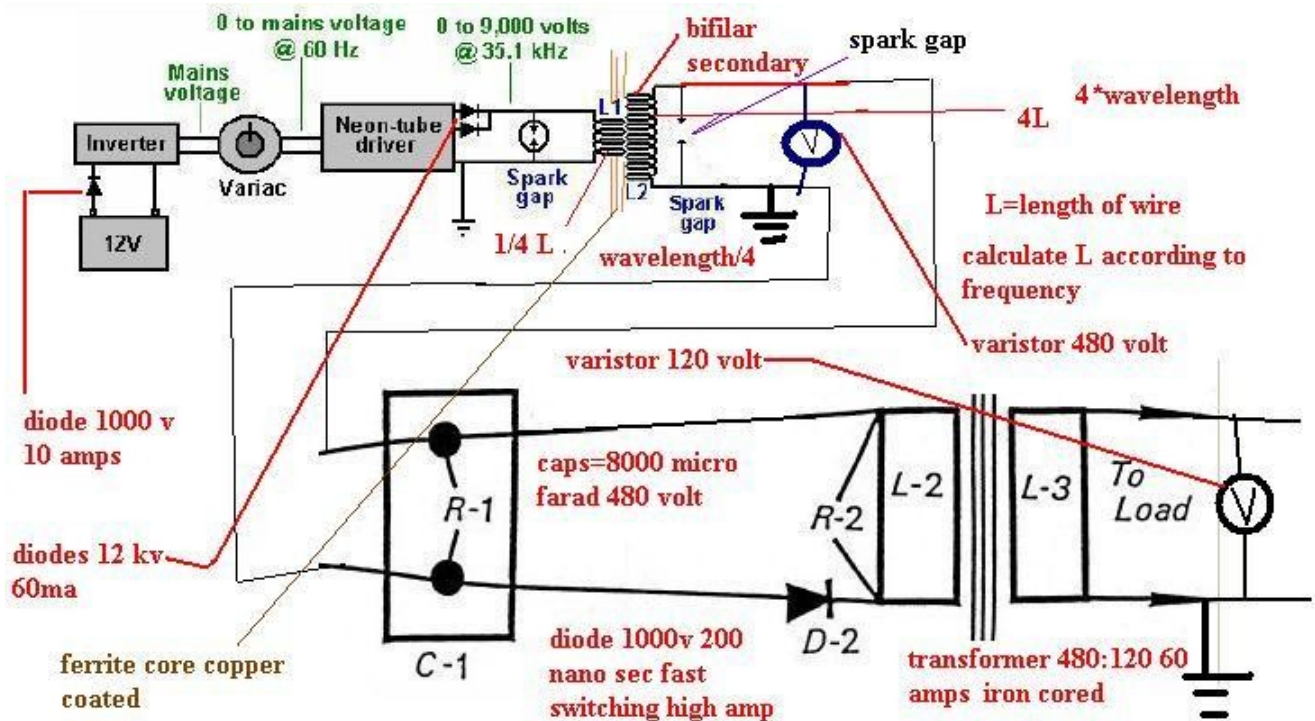


Cheapest Don Power (Modulation for 50 or 60 Hz)

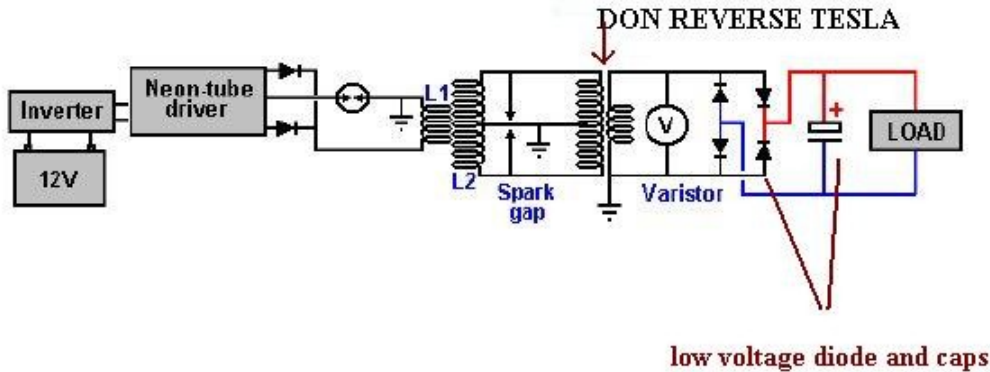
CHEAPEST DON POWER WITH 50 HZ OUTPUT WITH HIGH AMPS---ZILANO ZEIS ZANE



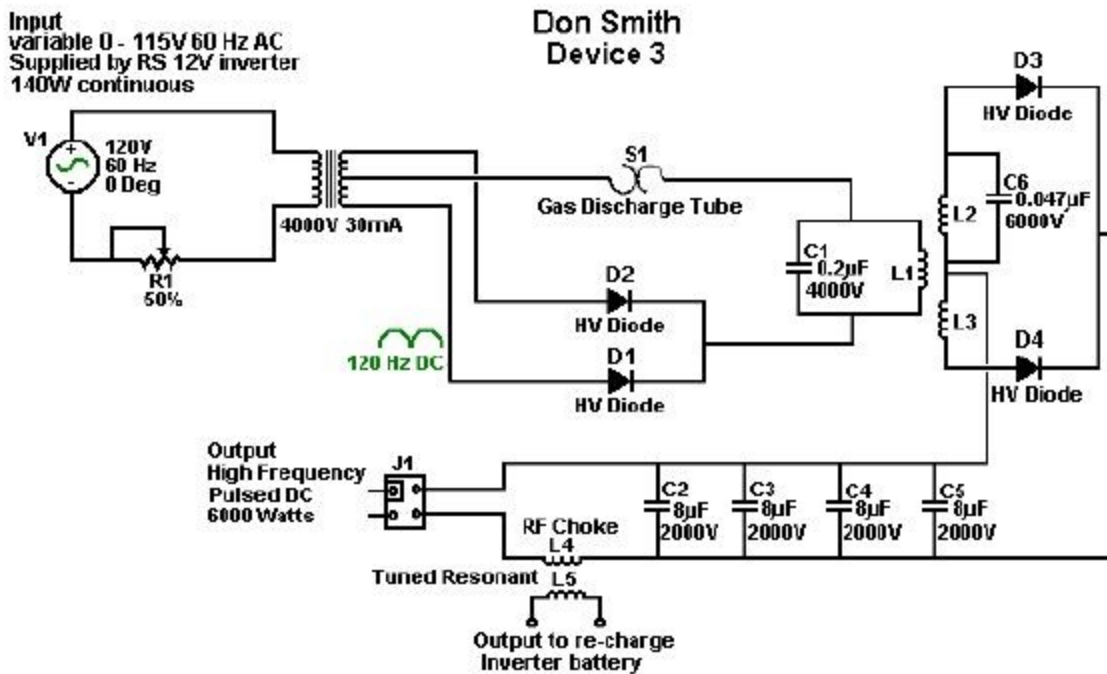
Solution Zilano



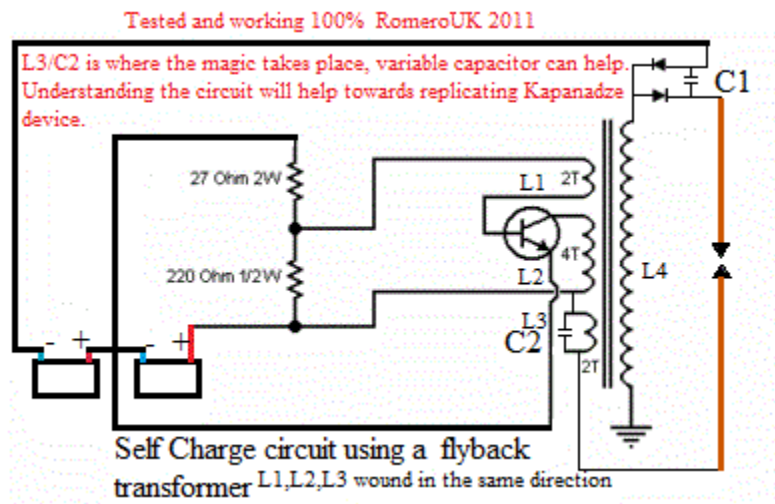
Don Reverse Tesla (Easy Way)



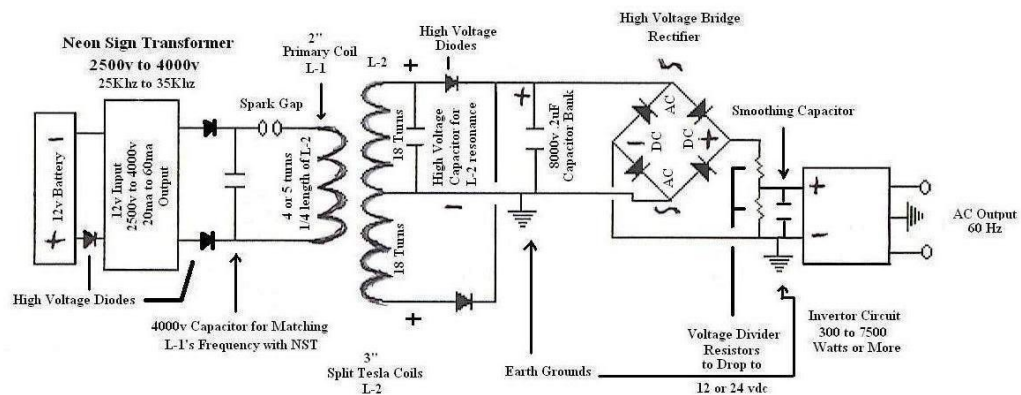
Don Circuit for Old Style 50 Hz NST



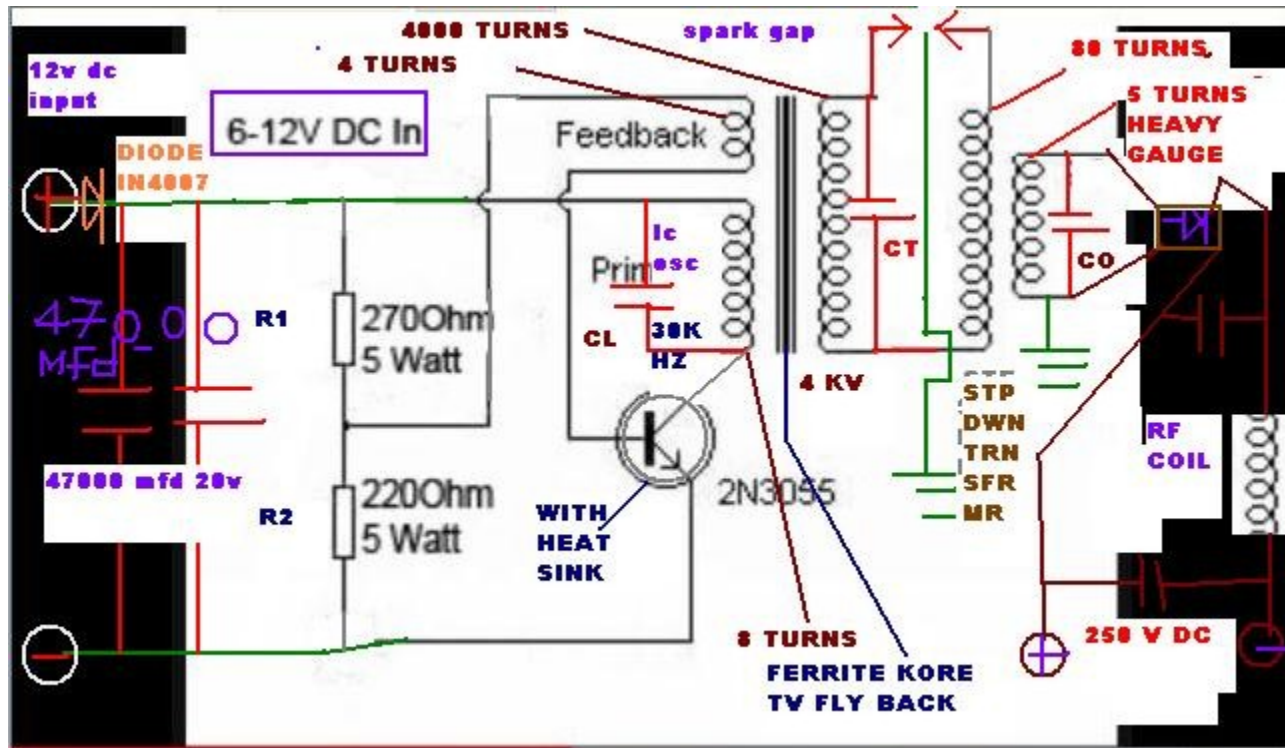
Simple OU JPG (Romero UK 2011)



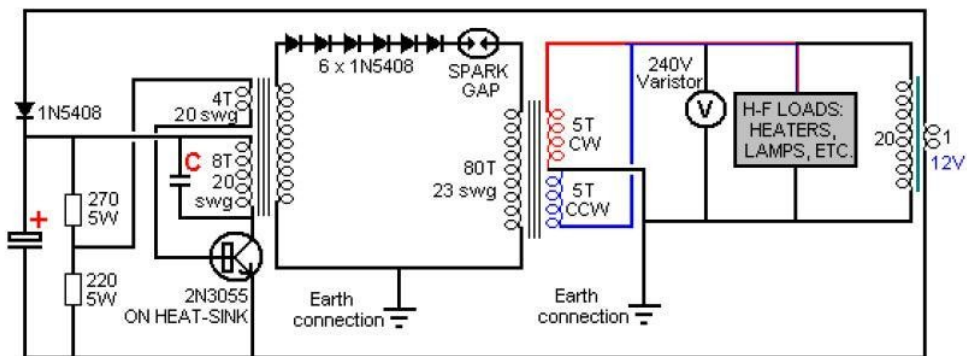
Tesla Good Applied Circuit (Don Diagram fix #3)



Zilano (The Circuit)

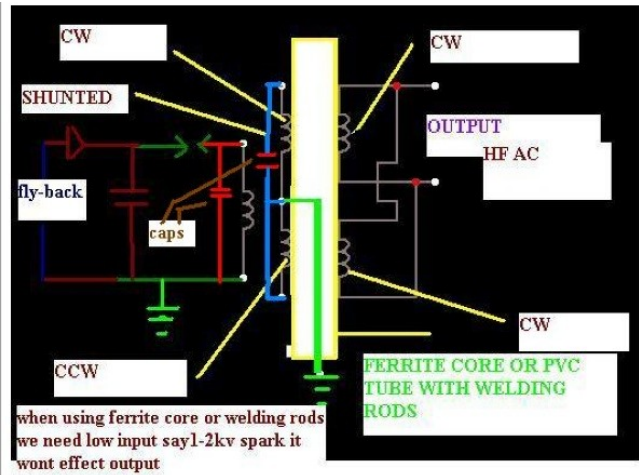
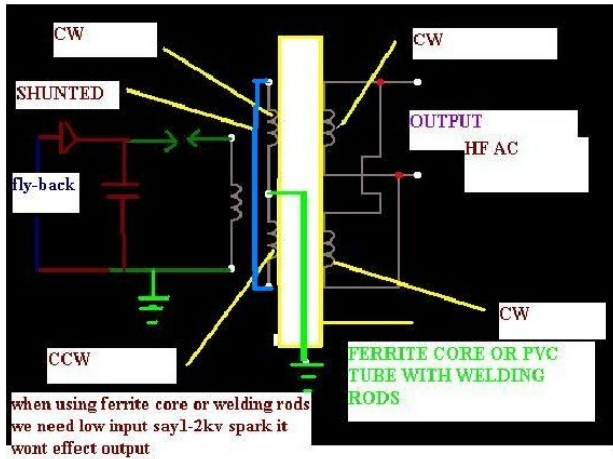


Zilano Self Loop

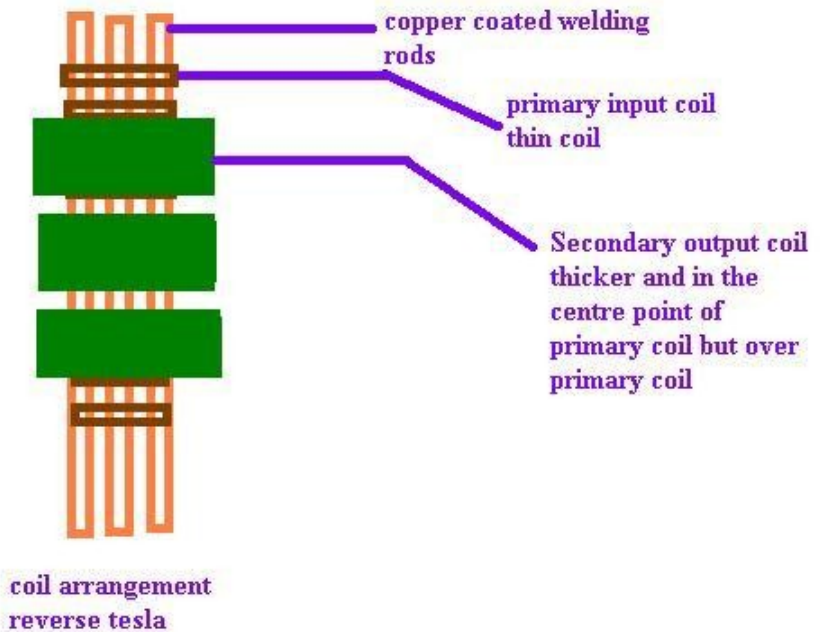


So far, this construction has opted for the most simple arrangement, one which can be constructed with minimal equipment. That does not mean that it is not possible to have a full-blown, mains frequency, mains voltage, self-powered device without the need for an inverter, by modifying this implementation one step further (as Zilano has already done and uses). However, for the moment, I will direct you to the forum where there are various options shown and where discussions can be held with experienced people who are working to advance this design further. The forum link is: <http://www.energeticforum.com/renewable-energy/4864-donald-smith-devices-too-good-true-60.html>.

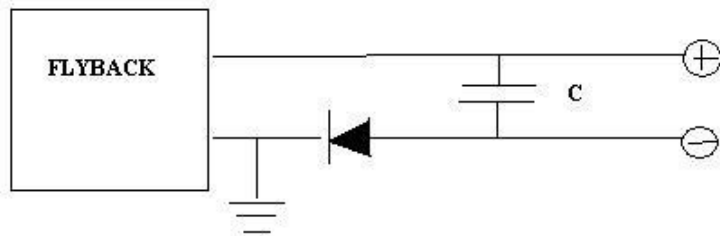
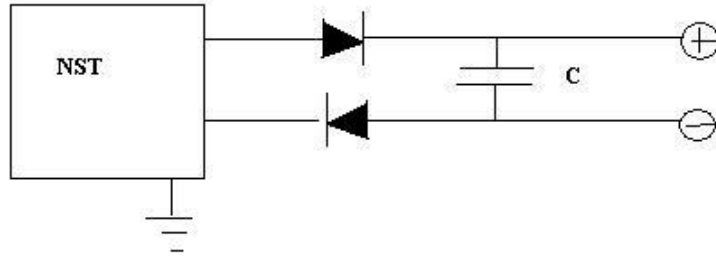
Zilano Caps Add



Coil Arrangement (Step Down)

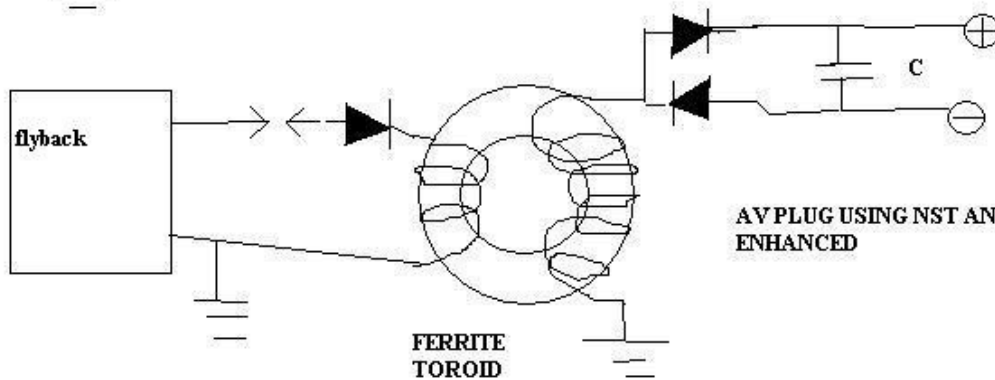
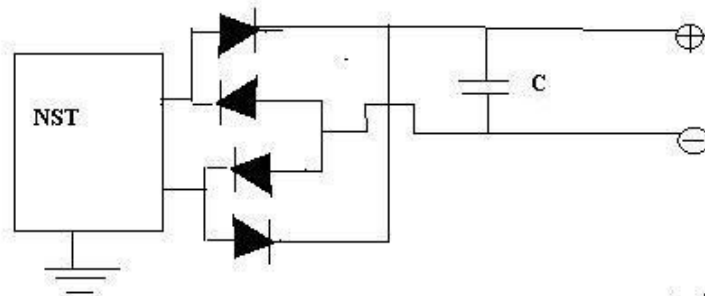


AV Plug



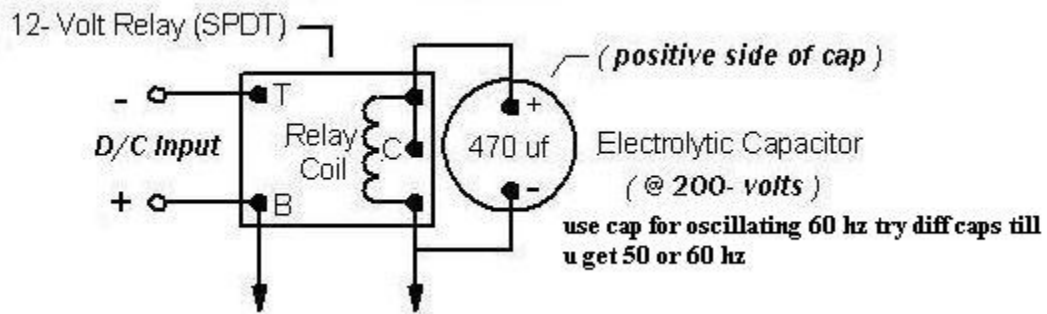
AV PLUG USING NST AND FLYBACK

AV Plug Enhanced

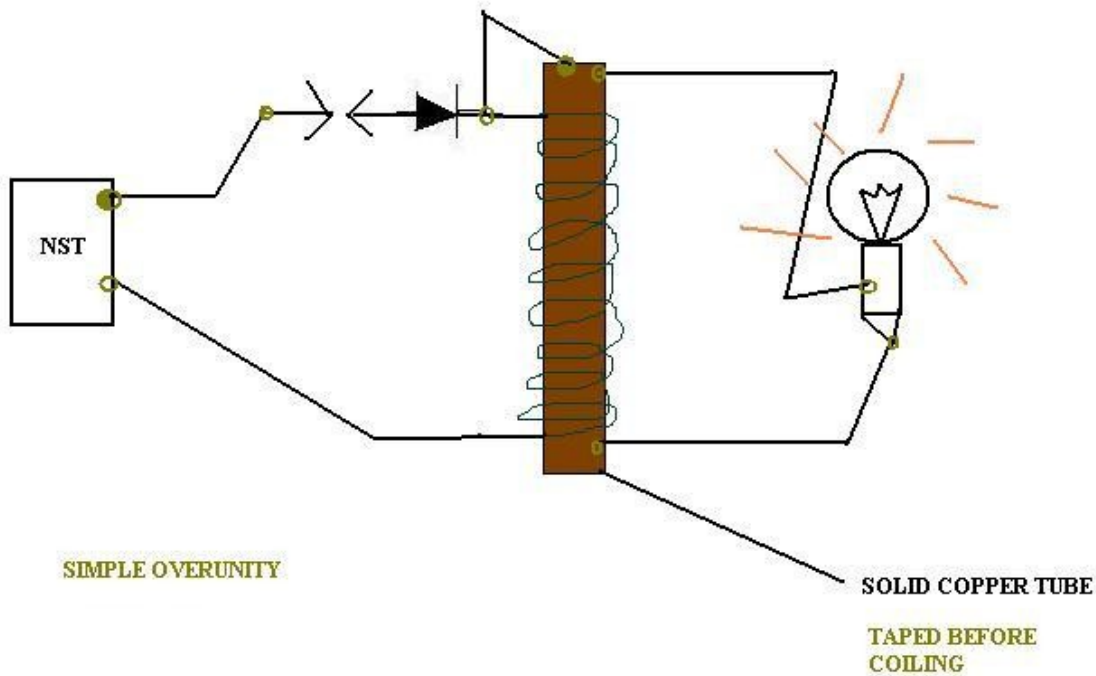


AV PLUG USING NST AND FLYBACK ENHANCED

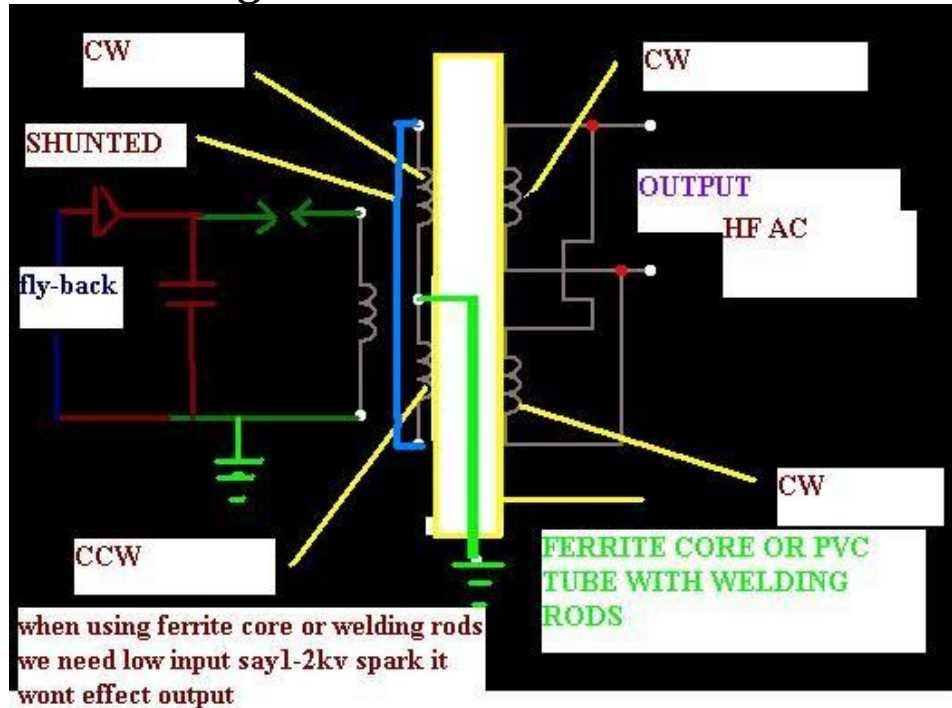
Relay & Cap Combo for 50.60 Hz



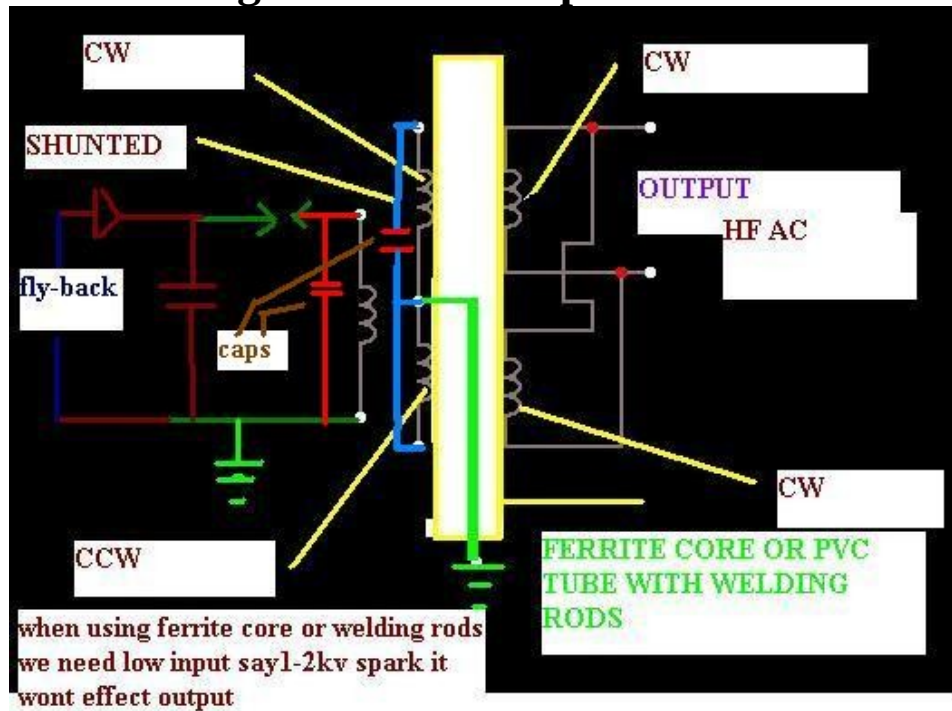
Over Unity Circuit



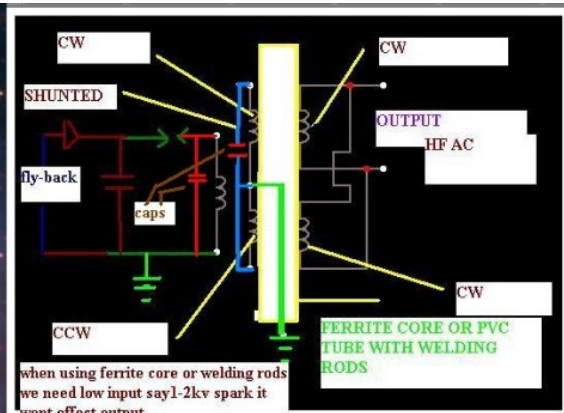
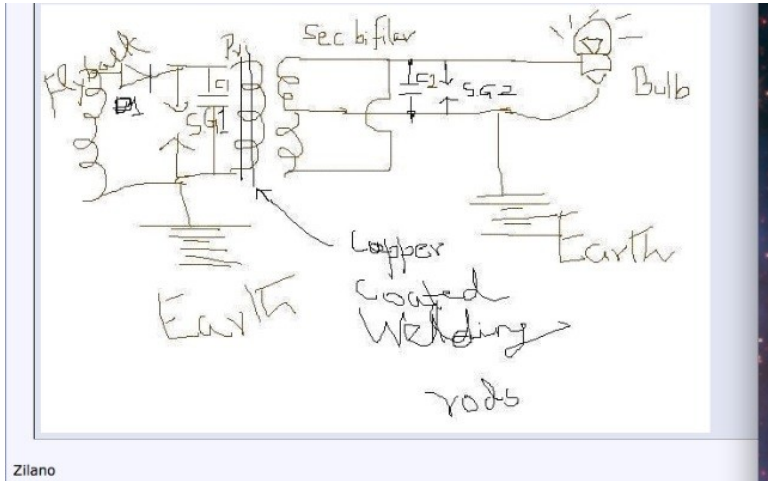
New Arrangement



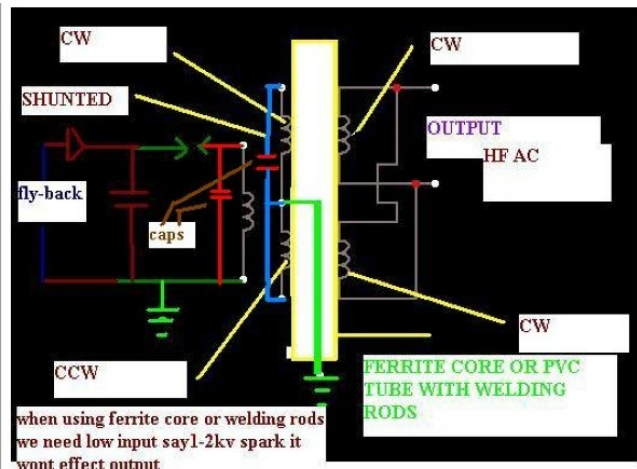
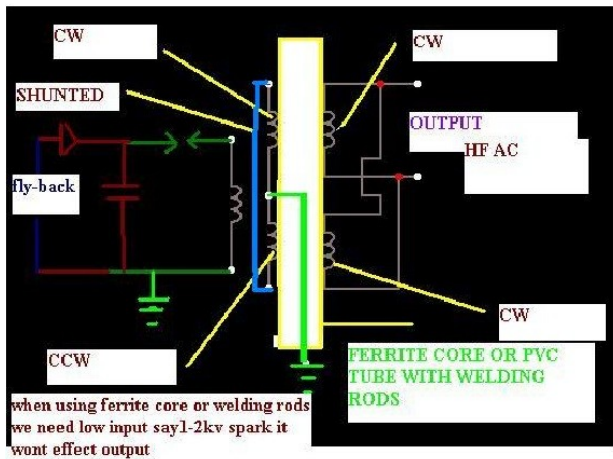
New Arrangement with Caps



Zilano Schematic

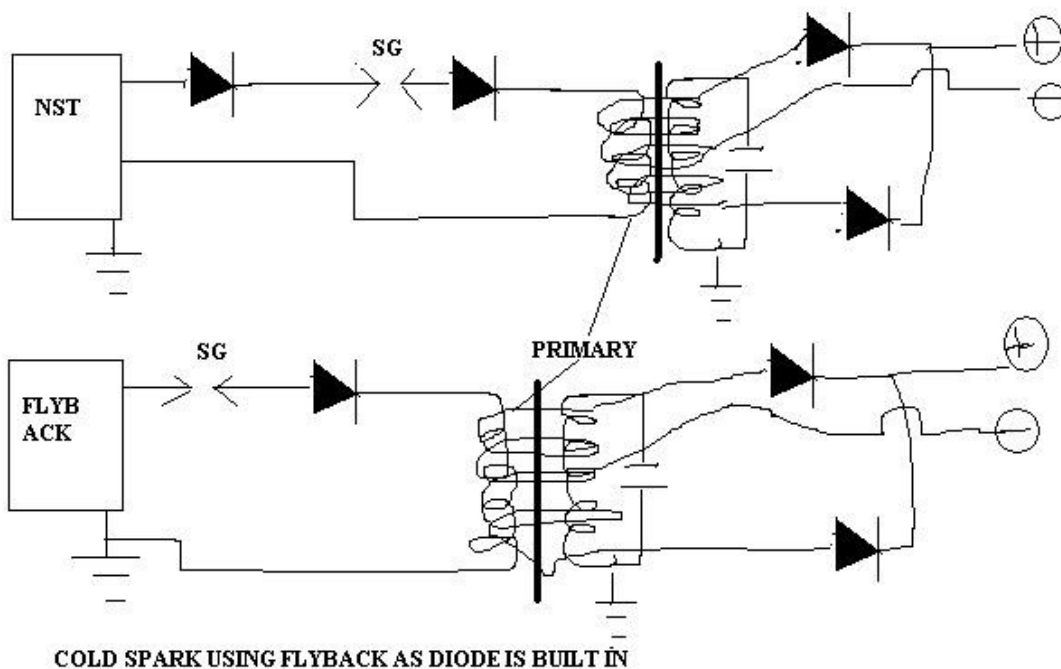


Zilano Caps Added

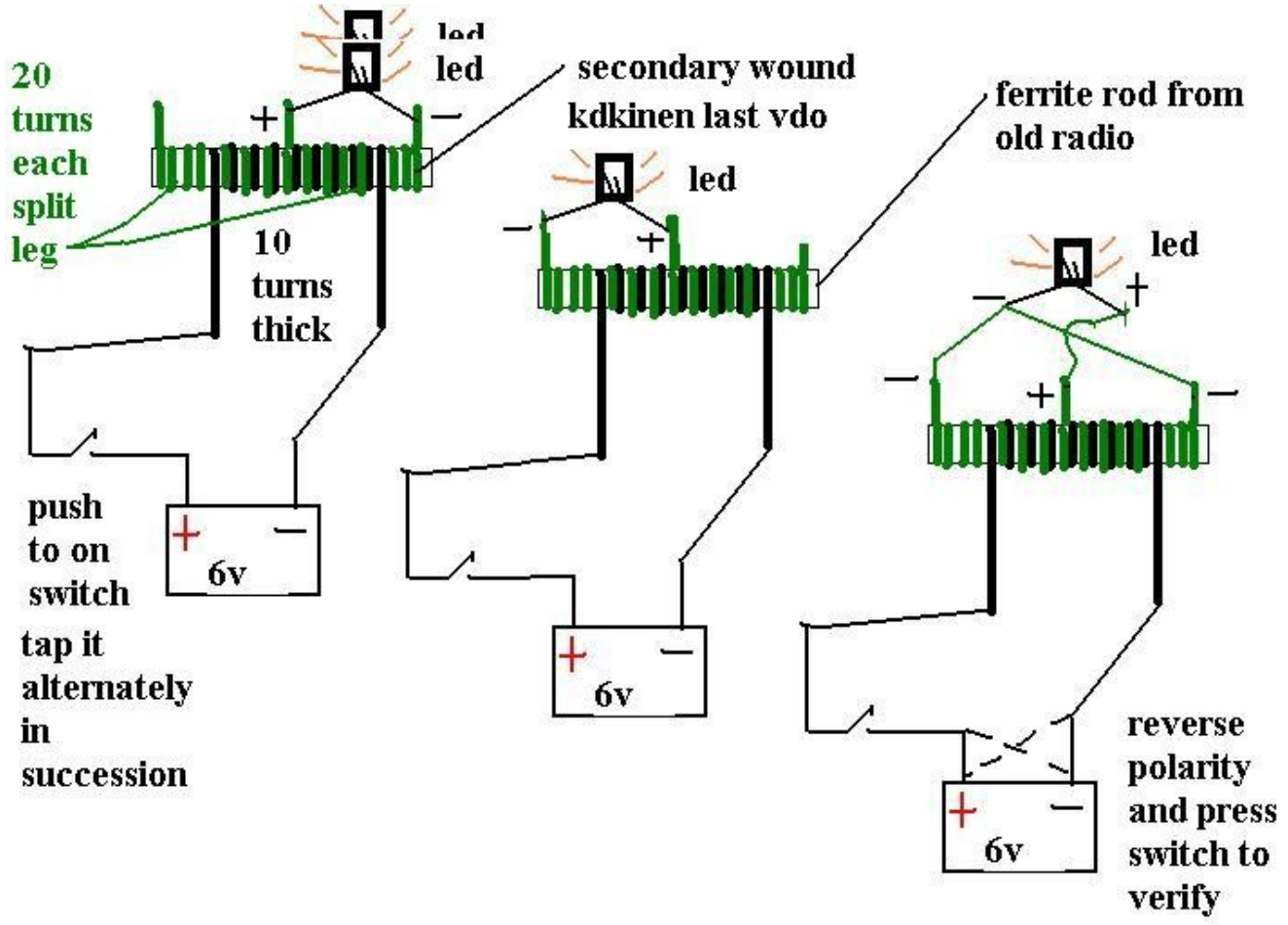


Triggering Primary to Oscillate Coil

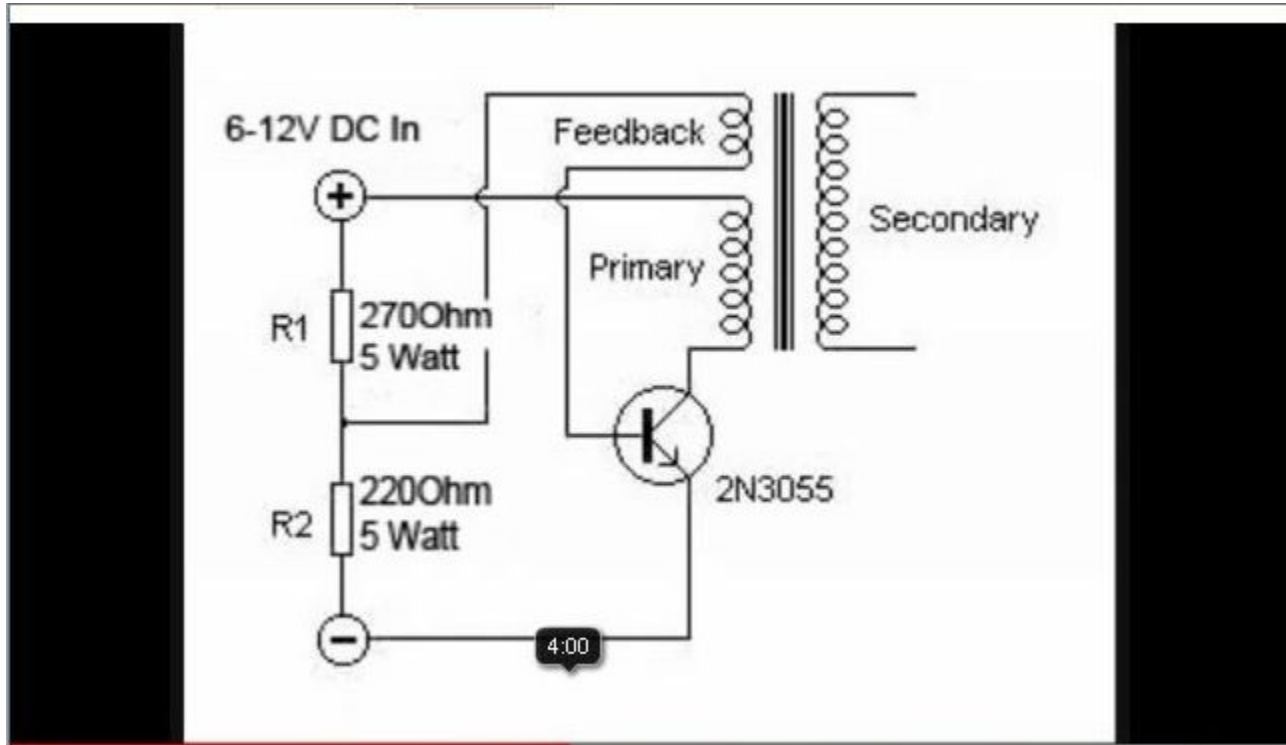
COLD SPARKING USING NST TO OSCILLATE COIL.



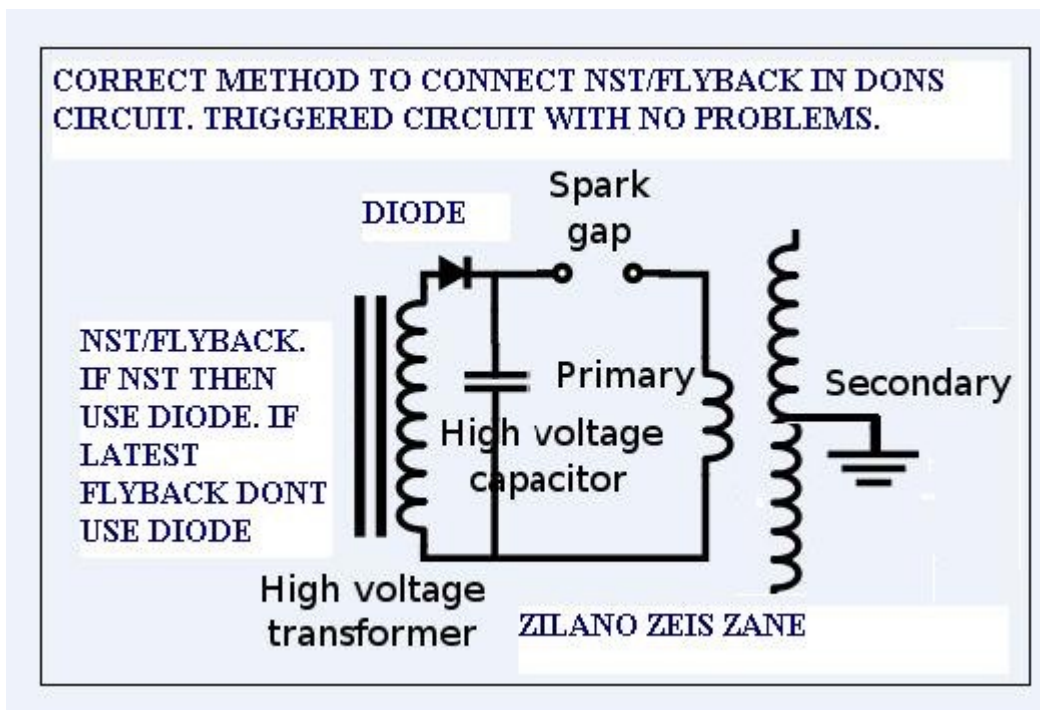
Secondary Polarity



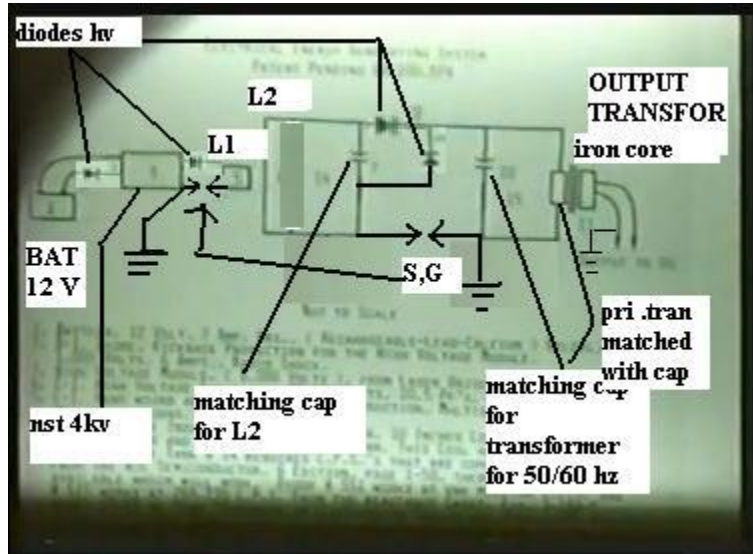
Flyback Driver 6 to 12 volt



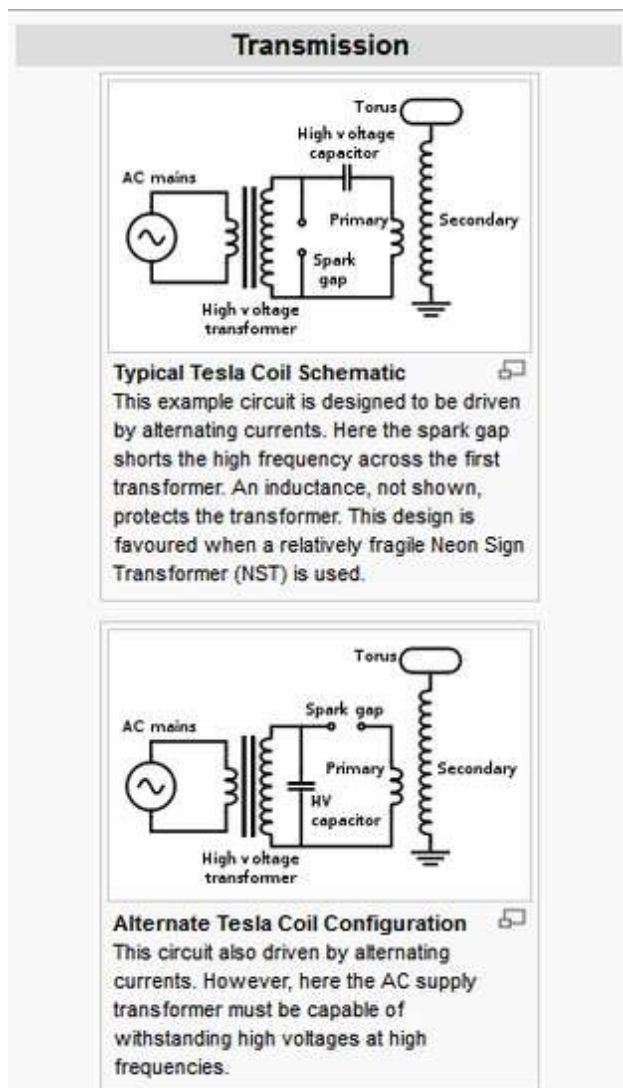
Connecting Flyback



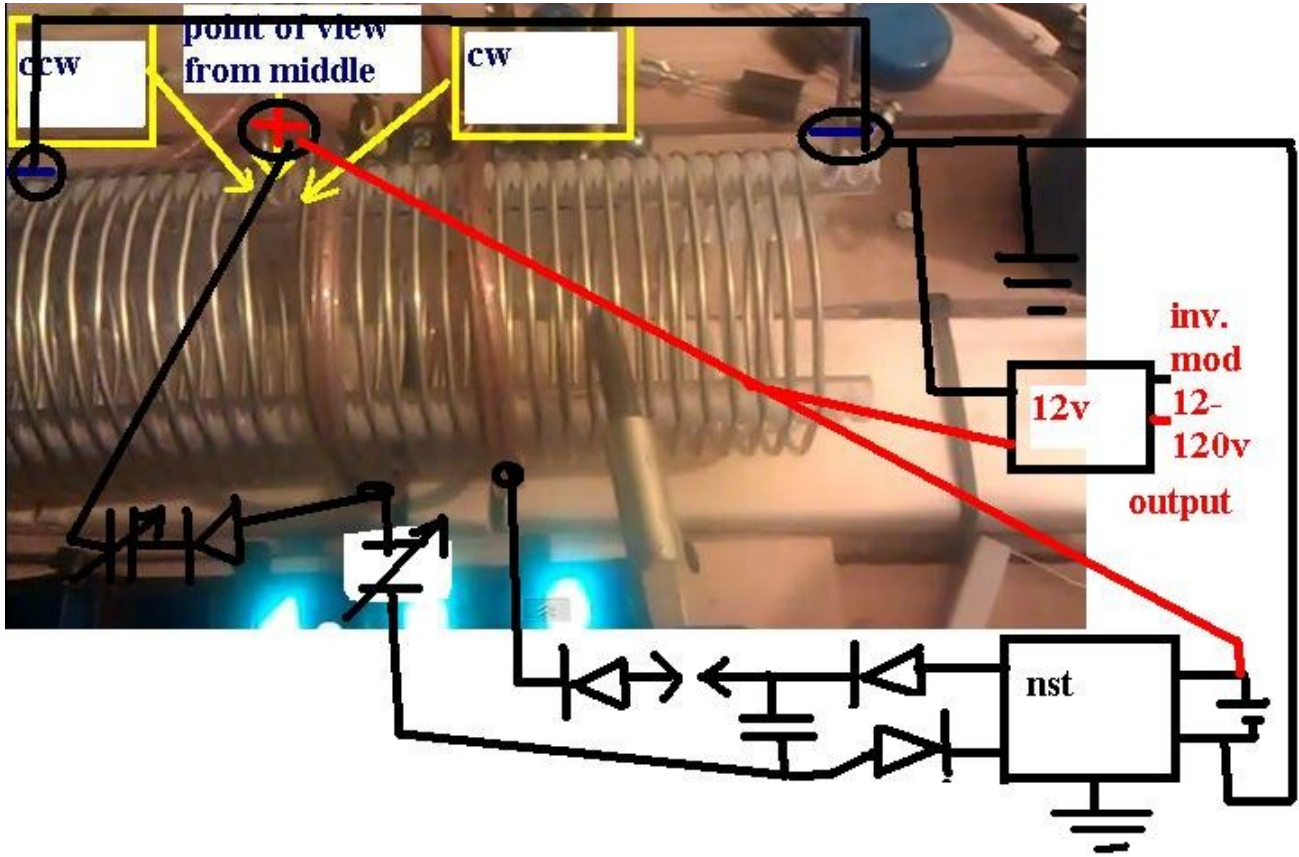
Don ac Converter (Simple Don Setup)



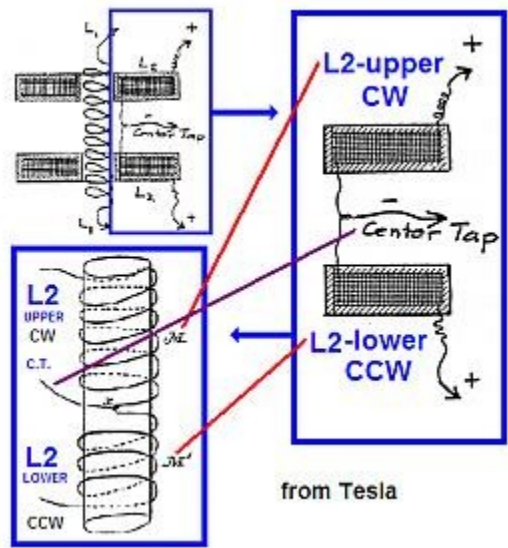
Spark Gap Position in ac Driven Tesla Coil



Mr. Clean FINAL



Tesla High Amps



Zilano Tuning Circuit

(Resonance LED Tester

)

This is for those who want to find out whether the coil is in resonance or not for either primary or secondary. It is a cheap little circuit and it will light up to show if coils are ringing or not!

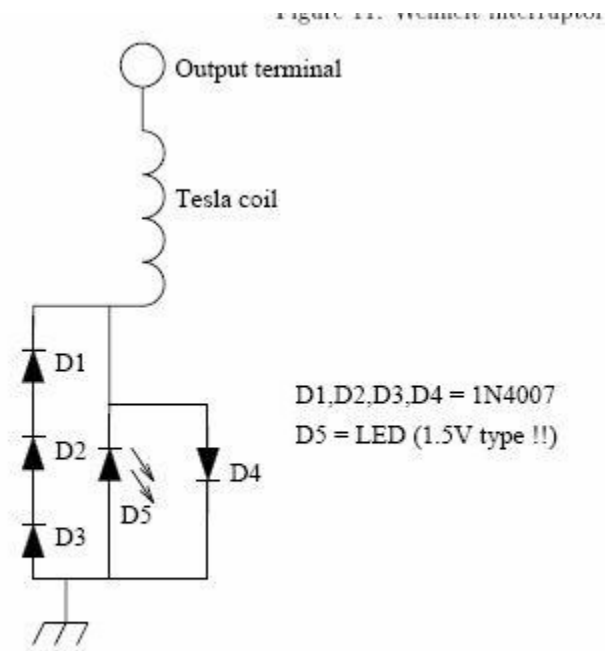
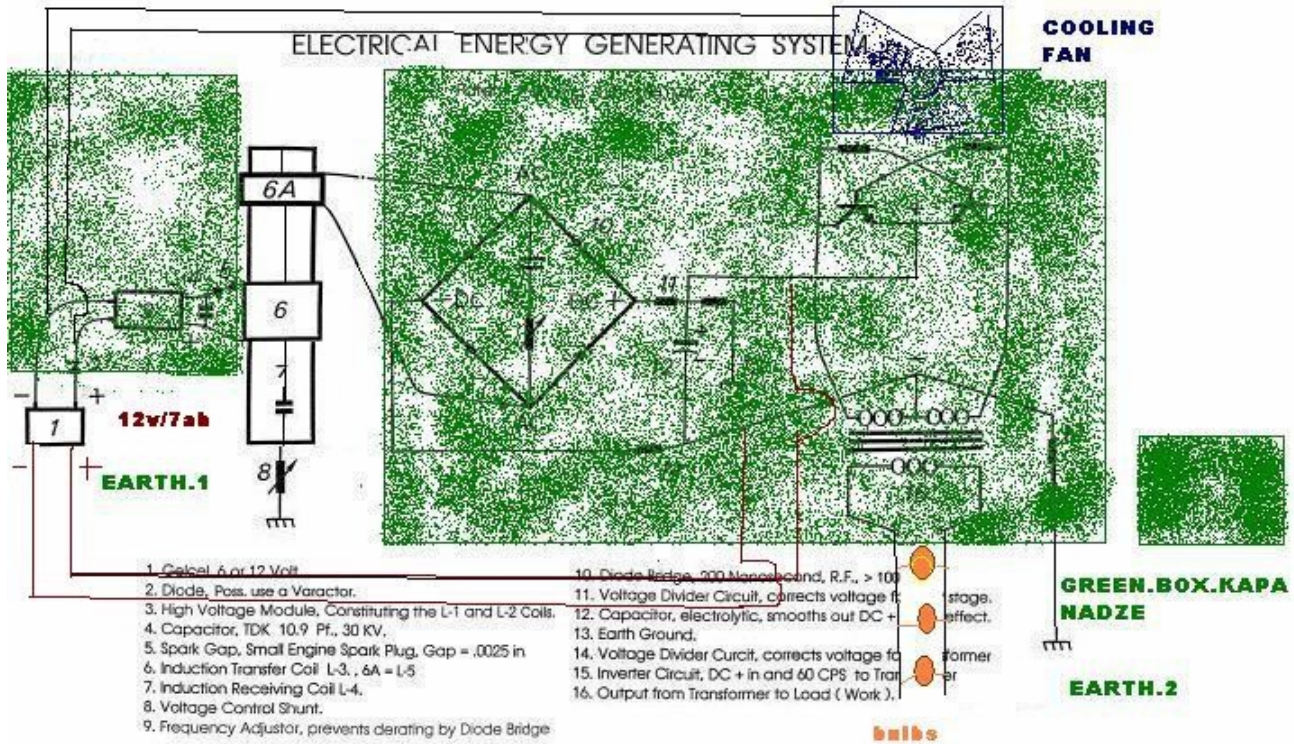
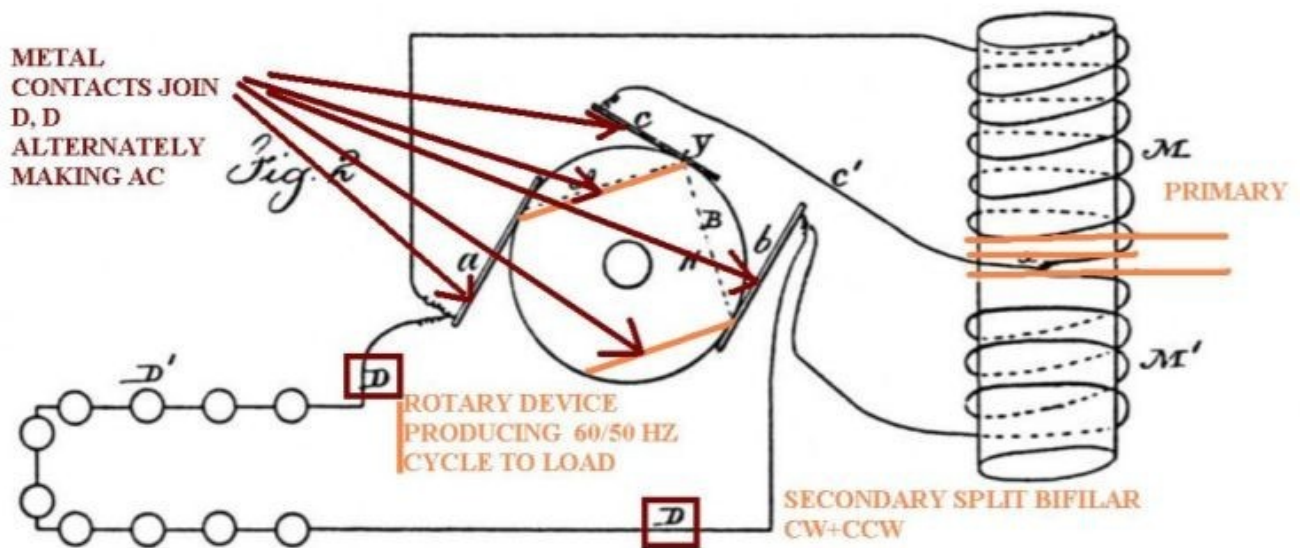


Figure 12: LED as a tune indicator

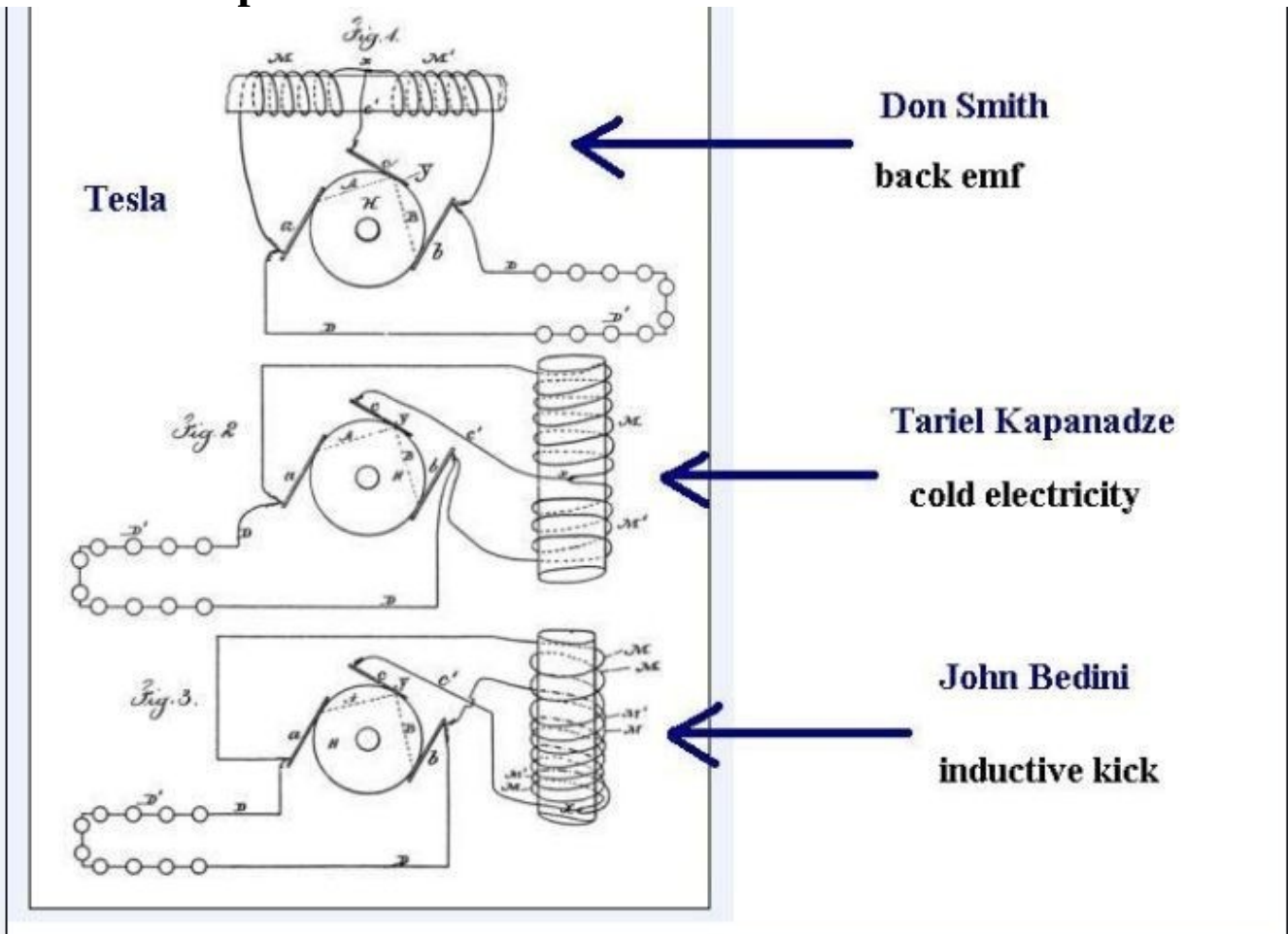
Green Box Kapandaze Alias Don Smith



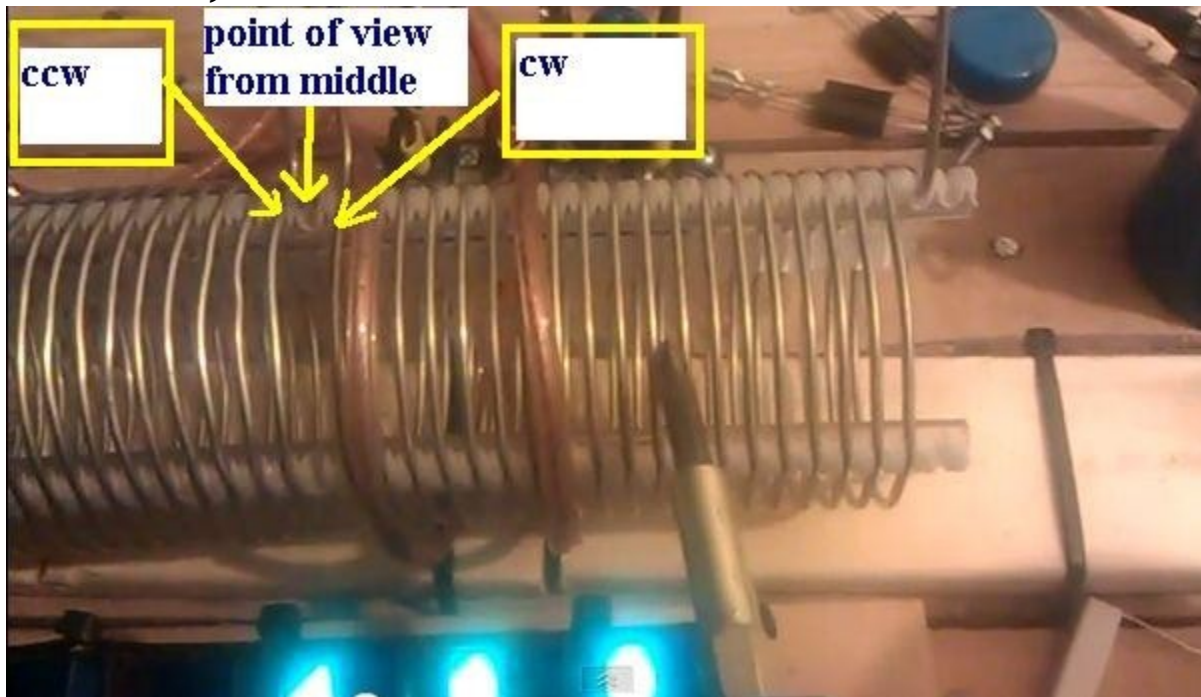
Rotary Kapandaze (Shared by Zilano) Jan. 3, 2012



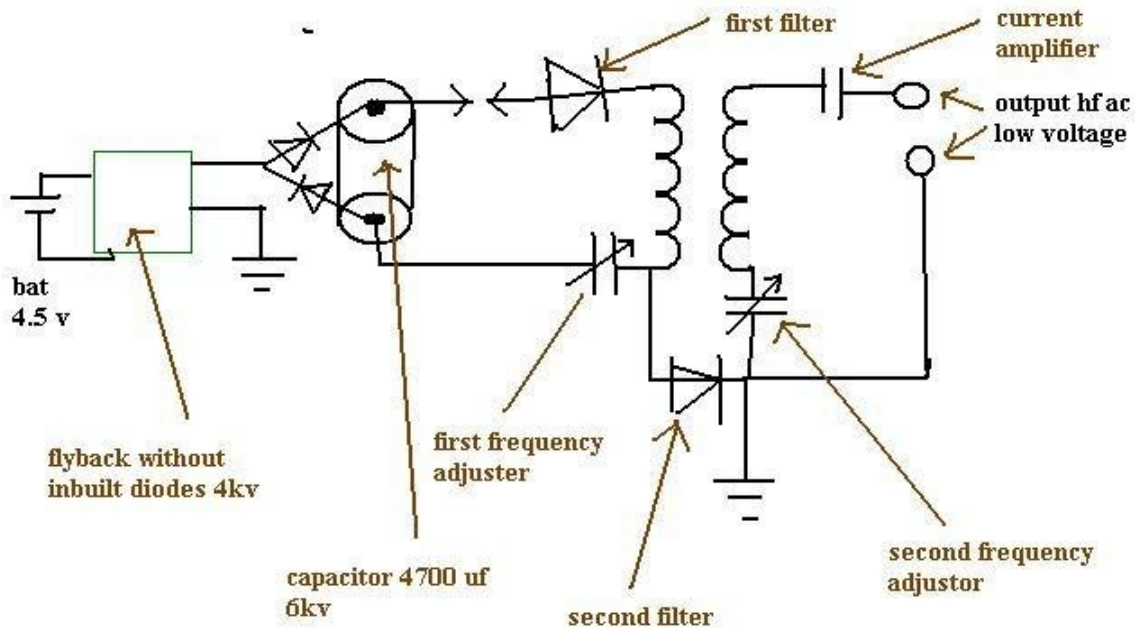
Zilano Comparison



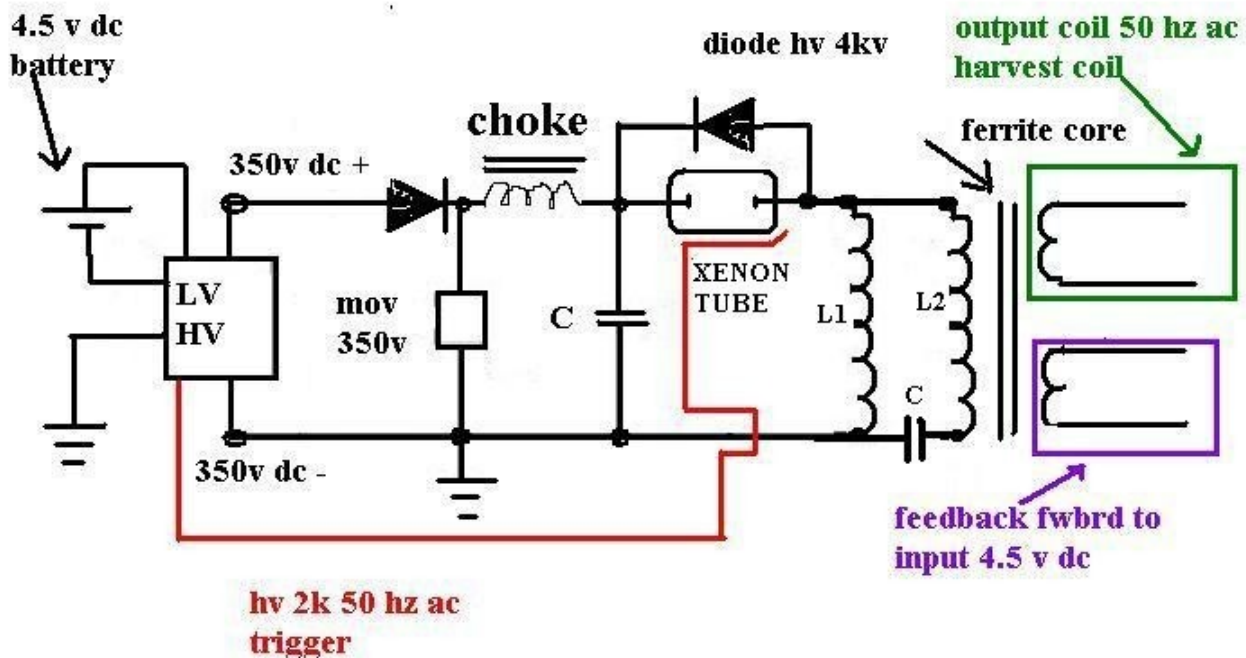
Zilano Jan. 1, 2012



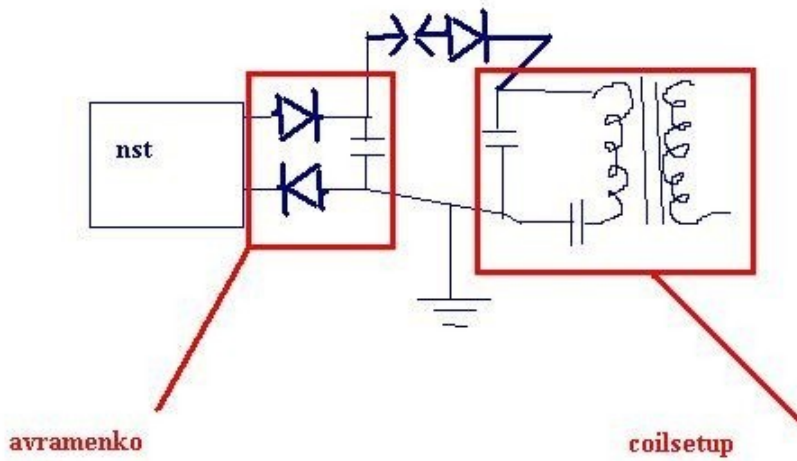
Zilano (Kapandaze Secret!!) Nov. 30, 2011



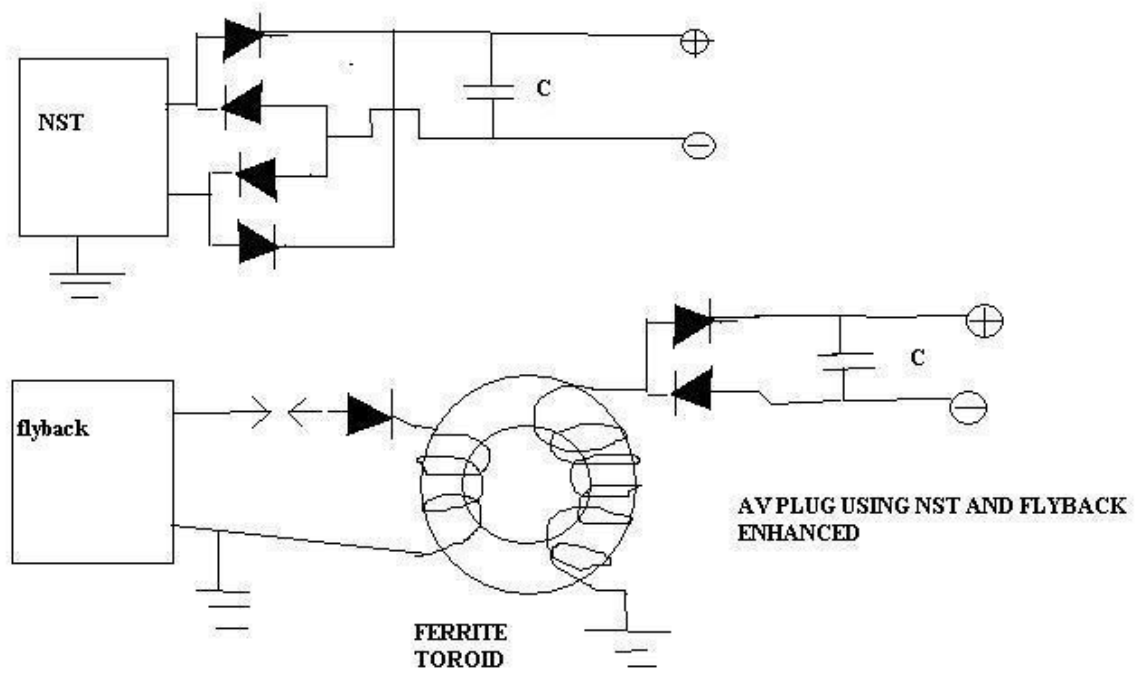
RESONANCE HAPPENING IN L1 AND L2 and is harvested by harvest coil.



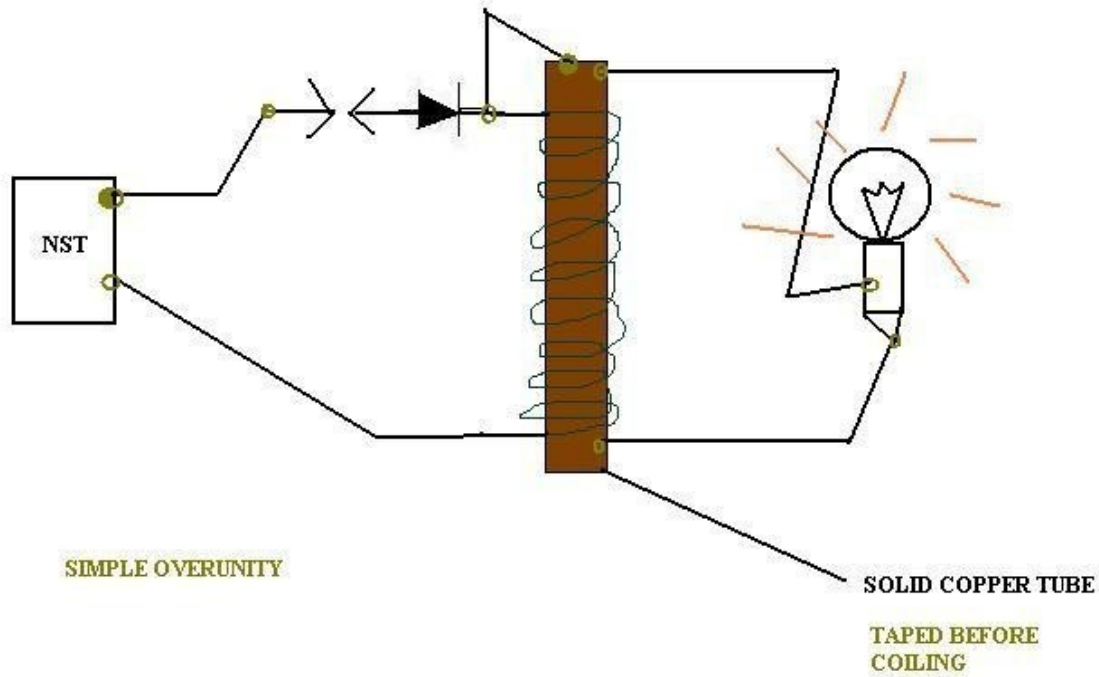
VOLTAGE CAN BE 2KV TO 4KV
(Zilano Nov. 16, 2011)



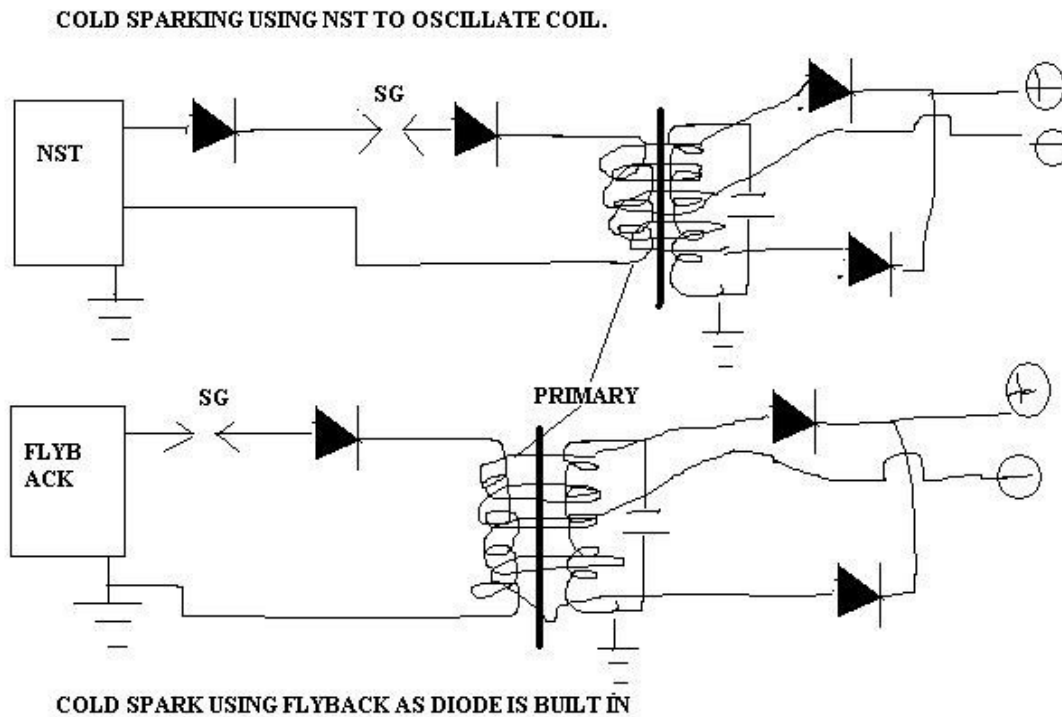
enhanced av plug using nst n flyback (Zilano Oct. 30, 2011)



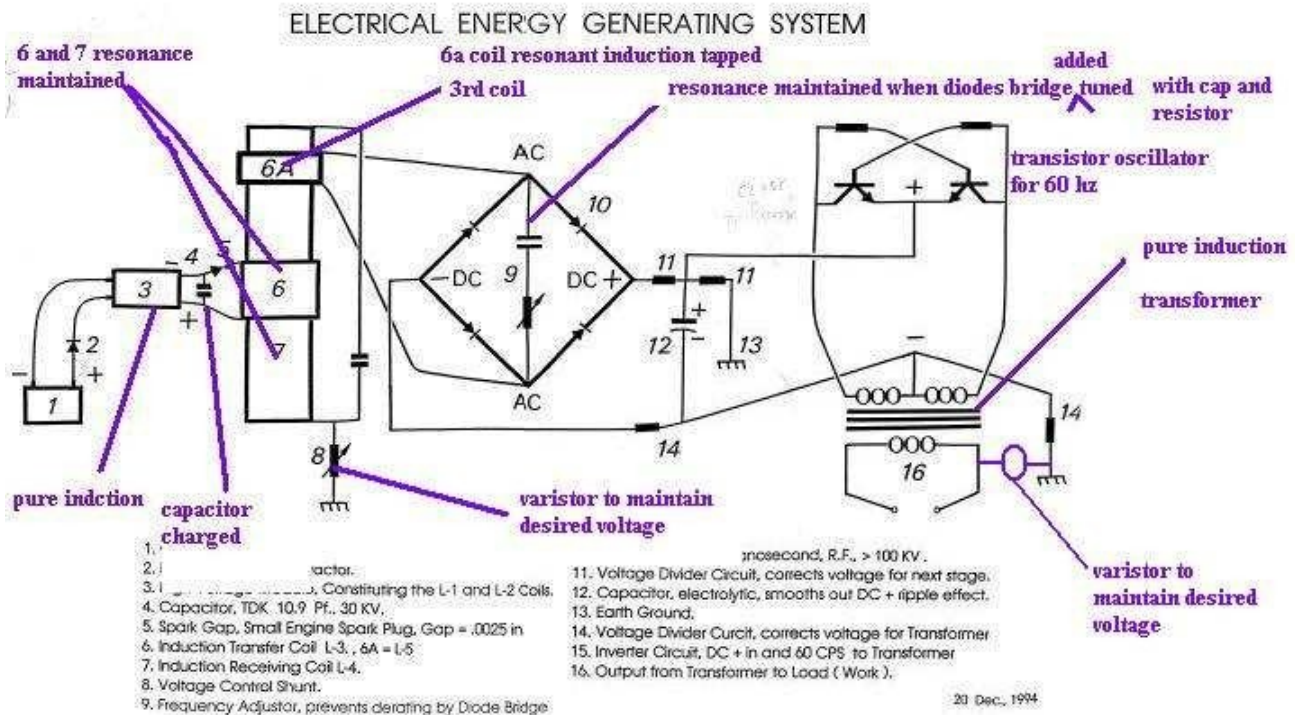
Simple OU (Zilano Oct. 30, 2011)



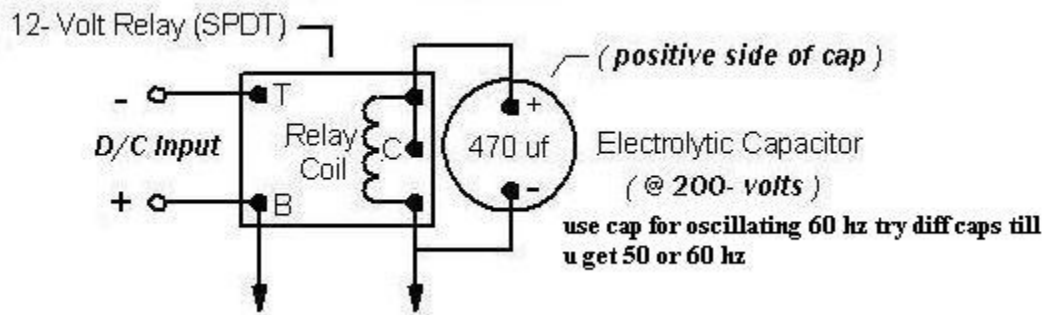
Cold Sparking Using NST to Oscillate Coil (Oct. 27, 2011)



Electrical Energy Generating System (Make It!!) Oct. 15, 2011



view this and apply for relay to oscillate at 50 or 60 hz frequency



Don Type Spark Gap

